

THIS DRAWING IS UNPUBLISHED. RELEASED FOR PUBLICATION 20
 © COPYRIGHT 20 BY - ALL RIGHTS RESERVED.

REVISIONS					
P	LTR	DESCRIPTION	DATE	DWN	APVD
A		RELEASED PER ECO-15-013901	21SEP2015	RLK	MM
B		REVISED PER ECO-16-007344	08JUN2016	RLK	MM
C		REVISED PER ECO-17-003145	11MAR2017	RLK	MM

1 MATERIAL:
 CONNECTOR HOUSING: UL94 V-0 RATED THERMOPLASTIC, COLOR: WHITE
 LATCH: THERMOPLASTIC, COLOR: BLACK
 CABLE JACKET: THERMOPLASTIC ELASTOMER, COLOR: BLACK
 CABLE CONDUCTORS: COPPER ALLOY
 CONNECTOR CONTACTS: BRASS ALLOY

2 FINISH:
 CONNECTOR CONTACTS: SILVER OVER NICKEL

3 CHARGING CABLE: TE CONNECTIVITY PROPRIETARY
 UL LISTING: TYPE EVE
 CABLE COLOR, LENGTH AND WIRE TERMINATIONS ARE FULLY CUSTOMIZABLE

4. EV CONNECTOR TECHNICAL PARAMETERS:
 CURRENT, 32A, VOLTAGE, 240 VAC
 INGRESS PROTECTION, IP66
 STATIC RESISTANCE
 (FROM PROX. DETECTION TO GROUND) 150ohm
 RESISTANCE WILL INCREASE TO 480ohm WHEN LATCH IS DEPRESSED

5. THIS PRODUCT IS DESIGNED IN ACCORDANCE WITH SAE INTERNATIONAL SPECIFICATION J1772

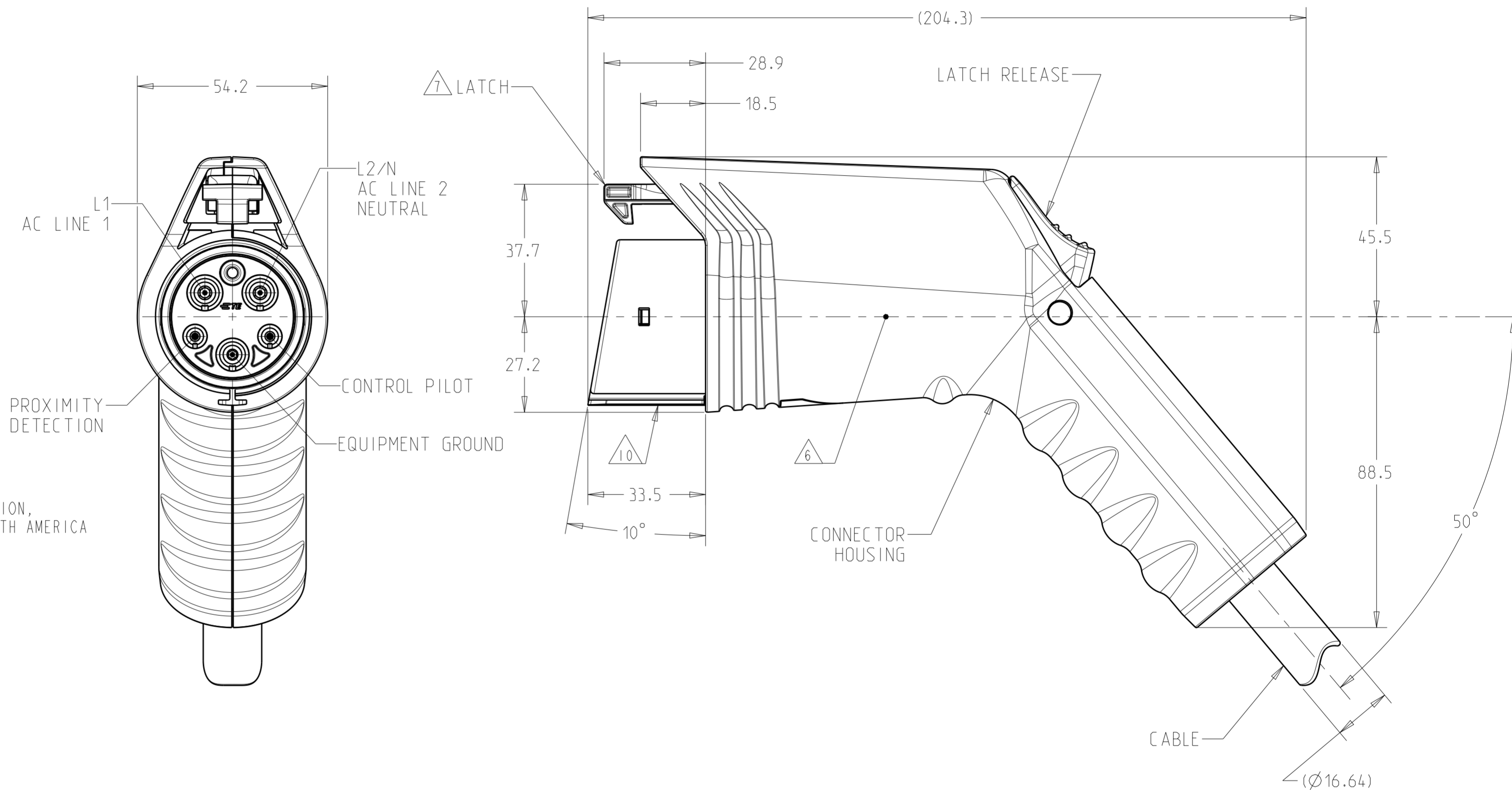
6 CENTER LINE OF VEHICLE INLET

7 LATCH IS SHOWN IN LOCKED POSITION

8. THIS PRODUCT IS RoHS COMPLIANT

9. UL RECOGNITION UNDER E349950

10 THE FOLLOWING INFORMATION IS MARKED ON THE CONNECTOR KEY: TE LOGO, TE PART NUMBER, REVISION, DATE CODE (YYWW) AND UL COMPONENT MARK IN NORTH AMERICA



3	7.62m (25 FT)	2267185-4
	6.1m (20 FT)	2267185-3
	4.6m (15 FT)	2267185-2
	3.05m (10 FT)	2267185-1
CABLE	CABLE LENGTH	PART NUMBER

DIMENSIONS:		TOLERANCES UNLESS OTHERWISE SPECIFIED:		APPROVALS		TE Connectivity	
mm	0 PLC ±	1 PLC ±0.4	2 PLC ±	DWN RI KOLLER 21OCT2014	CHK M. MERCURIO 23APR2015	NAME EV CONNECTOR ASSEMBLY 16mm CABLE, UL, WHITE	
	3 PLC ±	4 PLC ±	ANGLES ±2°	APVD G. DEFI BAUGH 25SEP2015	PRODUCT SPEC 108-32100		SIZE CAGE CODE DRAWING NO RESTRICTED TO
MATERIAL			FINISH	WEIGHT	A2 00779	C-2267185	
Customer Drawing				SCALE 1:1	SHEET	OF	REV C

X-ON Electronics

Largest Supplier of Electrical and Electronic Components

Click to view similar products for [Specialised Cables category](#):

Click to view products by [TE Connectivity manufacturer](#):

Other Similar products are found below :

[603PT6](#) [603SS6L](#) [604PT6](#) [604SS6](#) [706000D02F200](#) [910640](#) [1200740077](#) [1200740114](#) [AC172](#) [ACL-SSI-4](#) [R88ACAKA0015SRE](#)
[R88ACAWL005SDE](#) [R88ACRGD0R3C](#) [1300150047](#) [1300660036](#) [1302262116](#) [1300150149](#) [1300220020](#) [1300220104](#) [1300220119](#)
[1301240492](#) [1301810221](#) [1365323-1](#) [1613055](#) [176P12](#) [1971465-2](#) [20240400003](#) [20240400013](#) [2085828-1](#) [20886510030](#) [2-22733-8](#) [22733-](#)
[8](#) [CB-5PSBC-RS](#) [CB-704EC-RS](#) [CB-BATACC-RS](#) [CB-JST3PSW-RS](#) [CB-M12COM-R10](#) [25AC84](#) [25AK84X](#) [25AU25](#) [25FN82](#) [3011-03](#)
[AC118](#) [ACL-HHS-1M\(CAT5E\)](#) [SSL009PC2DC012N](#) [FC2A-KC6C](#) [2085828-2](#) [20886510150](#) [CCS-FCB-5](#) [CCSFCBF2](#)