

THIS DRAWING IS UNPUBLISHED. RELEASED FOR PUBLICATION 20
 © COPYRIGHT 20 BY - ALL RIGHTS RESERVED.

REVISIONS					
P	LTR	DESCRIPTION	DATE	DWN	APVD
A		RELEASED PER ECO-15-013901	21SEP2015	RLK	MM
B		REVISED PER ECO-16-007344	08JUN2016	RLK	MM
C		REVISED PER ECO-17-003145	11MAR2017	RLK	MM

1 MATERIAL:
 CONNECTOR HOUSING: UL94 V-0 RATED THERMOPLASTIC, COLOR: GRAY
 LATCH: THERMOPLASTIC, COLOR: BLACK
 CABLE JACKET: THERMOPLASTIC ELASTOMER, COLOR: BLACK
 CABLE CONDUCTORS: COPPER ALLOY
 CONNECTOR CONTACTS: BRASS ALLOY

2 FINISH:
 CONNECTOR CONTACTS: SILVER OVER NICKEL

3 CHARGING CABLE: TE CONNECTIVITY PROPRIETARY,
 UL LISTING: TYPE EVE
 CABLE COLOR, LENGTH AND WIRE TERMINATIONS ARE FULLY CUSTOMIZABLE

4. EV CONNECTOR TECHNICAL PARAMETERS:
 CURRENT, 32A, VOLTAGE, 240 VAC
 INGRESS PROTECTION, IP66
 STATIC RESISTANCE
 (FROM PROX. DETECTION TO GROUND) 150ohm
 RESISTANCE WILL INCREASE TO 480ohm WHEN LATCH IS DEPRESSED

5. THIS PRODUCT IS DESIGNED IN ACCORDANCE WITH SAE INTERNATIONAL SPECIFICATION J1772

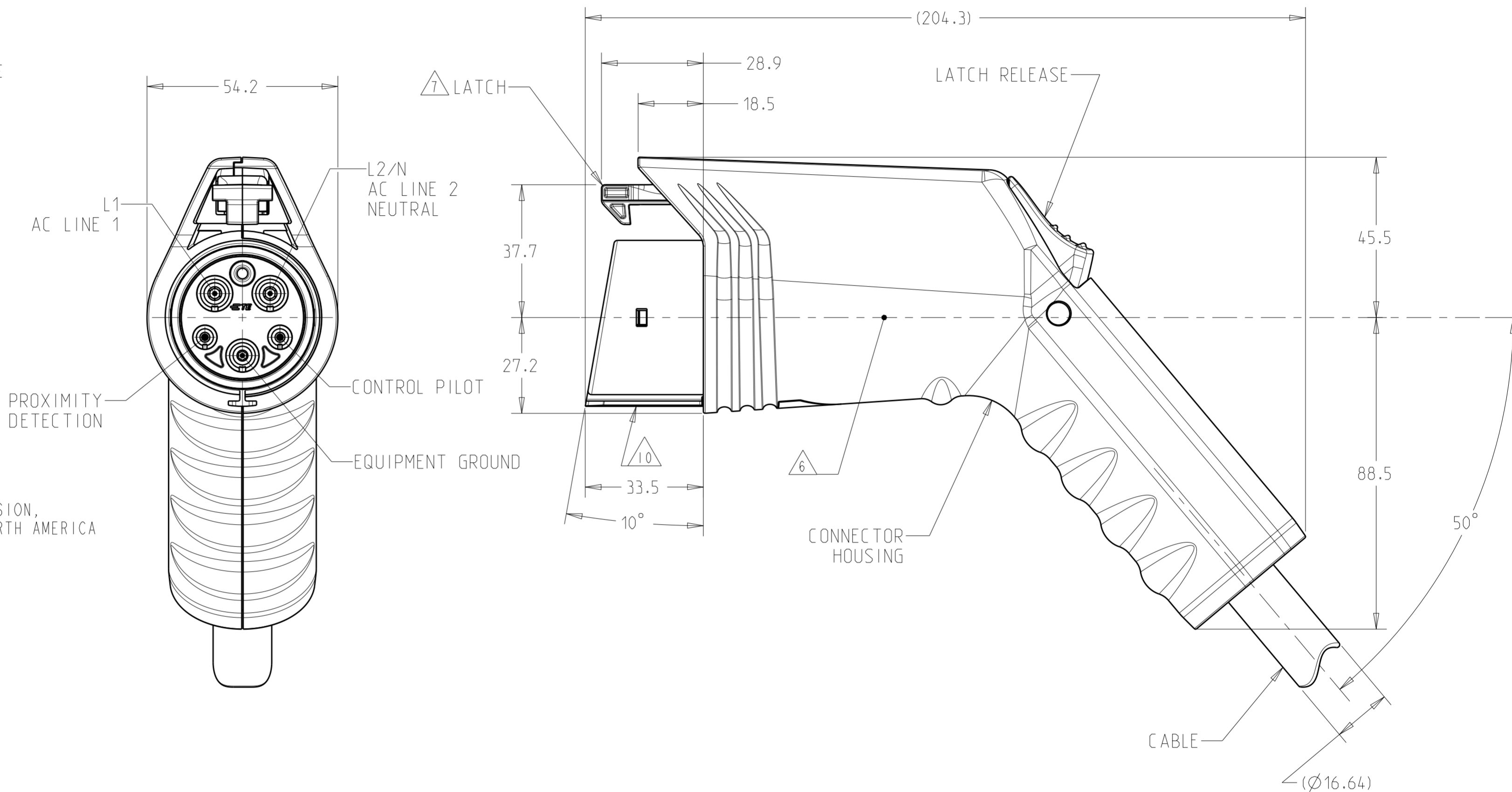
6 CENTER LINE OF VEHICLE INLET

7 LATCH IS SHOWN IN LOCKED POSITION

8. THIS PRODUCT IS RoHS COMPLIANT

9. UL RECOGNITION UNDER E349950

10 THE FOLLOWING INFORMATION IS MARKED ON THE CONNECTOR KEY: TE LOGO, TE PART NUMBER, REVISION, DATE CODE (YYWW) AND UL COMPONENT MARK IN NORTH AMERICA



3	7.62m (25 FT)	2267220-4
	6.1m (20 FT)	2267220-3
	4.6m (15 FT)	2267220-2
	3.05m (10 FT)	2267220-1
CABLE	CABLE LENGTH	PART NUMBER

THIS DRAWING IS A CONTROLLED DOCUMENT.

DIMENSIONS:	TOLERANCES UNLESS OTHERWISE SPECIFIED:	DWN	24APR2015	TE Connectivity
mm	0 PLC ±-	CHK	24APR2015	
	1 PLC ±0.4	M. MERCURIO		
	2 PLC ±-	G. DEFI BAUGH		
	3 PLC ±-	APVD	25SEP2015	NAME
	4 PLC ±-			EV CONNECTOR ASSEMBLY
	ANGLES ±2°			16mm CABLE, UL, GRAY
	FINISH			SIZE
MATERIAL				A2
				CAGE CODE
				00779
				DRAWING NO
				C-2267220
				RESTRICTED TO
				-
				Customer Drawing
				SCALE
				1:1
				SHEET
				OF
				REV
				C

X-ON Electronics

Largest Supplier of Electrical and Electronic Components

Click to view similar products for [Specialised Cables category](#):

Click to view products by [TE Connectivity manufacturer](#):

Other Similar products are found below :

[603PT6](#) [603SS6L](#) [604PT6](#) [604SS6](#) [706000D02F200](#) [910640](#) [1200740077](#) [1200740114](#) [AC172](#) [ACL-SSI-4](#) [R88ACAKA0015SRE](#)
[R88ACAWL005SDE](#) [R88ACRGD0R3C](#) [1300150047](#) [1300660036](#) [1302262116](#) [1300150149](#) [1300220020](#) [1300220104](#) [1300220119](#)
[1301240492](#) [1301810221](#) [1365323-1](#) [1613055](#) [176P12](#) [1971465-2](#) [20240400003](#) [20240400013](#) [2085828-1](#) [20886510030](#) [2-22733-8](#) [22733-](#)
[8](#) [CB-5PSBC-RS](#) [CB-704EC-RS](#) [CB-BATACC-RS](#) [CB-JST3PSW-RS](#) [CB-M12COM-R10](#) [25AC84](#) [25AK84X](#) [25AU25](#) [25FN82](#) [3011-03](#)
[AC118](#) [ACL-HHS-1M\(CAT5E\)](#) [SSL009PC2DC012N](#) [FC2A-KC6C](#) [2085828-2](#) [20886510150](#) [CCS-FCB-5](#) [CCSFCBF2](#)