

THIS DRAWING IS UNPUBLISHED. RELEASED FOR PUBLICATION 20
 © COPYRIGHT 20 BY - ALL RIGHTS RESERVED.

REVISIONS					
P	LTR	DESCRIPTION	DATE	DWN	APVD
A		RELEASED PER ECO-15-013901	21SEP2015	RLK	MM
B		REVISED PER ECO-16-007344	08JUN2016	RLK	MM
C		REVISED PER ECO-17-003145	11MAR2017	RLK	MM

1 MATERIAL:
 CONNECTOR HOUSING: UL94 V-0 RATED THERMOPLASTIC, COLOR: BLACK
 LATCH: THERMOPLASTIC, COLOR BLACK
 CABLE JACKET: THERMOPLASTIC ELASTOMER, COLOR: BLACK
 CABLE CONDUCTORS: COPPER ALLOY
 CONNECTOR CONTACTS: BRASS ALLOY

2 FINISH:
 CONNECTOR CONTACTS: SILVER OVER NICKEL

3 CHARGING CABLE: TE CONNECTIVITY PROPRIETARY
 UL LISTING: TYPE EVE
 CABLE COLOR, LENGTH AND WIRE TERMINATIONS ARE FULLY CUSTOMIZABLE

4. EV CONNECTOR TECHNICAL PARAMETERS:
 CURRENT, 32A, VOLTAGE, 240 VAC
 INGRESS PROTECTION: IP66
 STATIC RESISTANCE
 (FROM PROX. DETECTION TO GROUND) 150ohm
 RESISTANCE WILL INCREASE TO 480ohm WHEN LATCH IS DEPRESSED

5. THIS PRODUCT IS DESIGNED IN ACCORDANCE WITH SAE INTERNATIONAL SPECIFICATION J1772

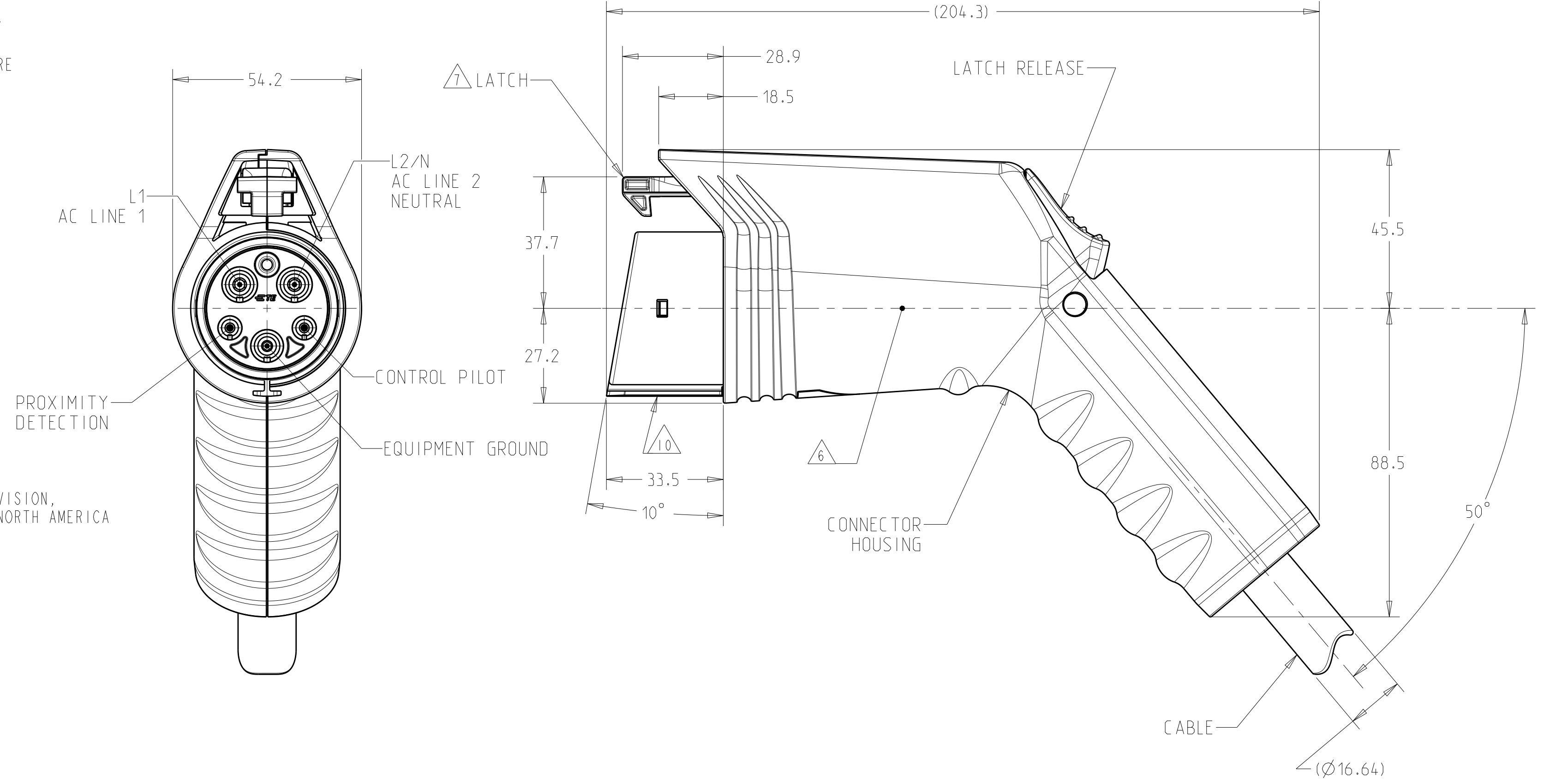
6 CENTER LINE OF VEHICLE INLET

7 LATCH IS SHOWN IN LOCKED POSITION

8. THIS PRODUCT IS RoHS COMPLIANT

9. UL RECOGNITION UNDER E349950

10 THE FOLLOWING INFORMATION IS MARKED ON THE CONNECTOR KEY: TE LOGO, TE PART NUMBER, REVISION, DATE CODE (YYWW) AND UL COMPONENT MARK IN NORTH AMERICA



3	7.62m (25 FT)	2267221-4
	6.1m (20 FT)	2267221-3
	4.6m (15 FT)	2267221-2
	3.05m (10 FT)	2267221-1
CABLE	CABLE LENGTH	PART NUMBER

THIS DRAWING IS A CONTROLLED DOCUMENT.

DIMENSIONS:	TOLERANCES UNLESS OTHERWISE SPECIFIED:	DWN	24APR2015	TE Connectivity
mm	0 PLC ± 1 PLC ±0.4 2 PLC ± 3 PLC ± 4 PLC ±	CHK	24APR2015	
	ANGLES ±2°	APVD	25SEP2015	
	FINISH	NAME	G. DEFI BAUGH	
MATERIAL		PRODUCT SPEC	108-32100	EV CONNECTOR ASSEMBLY 16mm CABLE, UL, BLACK
		APPLICATION SPEC		SIZE CAGE CODE DRAWING NO RESTRICTED TO
		WEIGHT		A2 00779 C-2267221
		Customer Drawing	SCALE 1:1 SHEET OF REV C	

X-ON Electronics

Largest Supplier of Electrical and Electronic Components

Click to view similar products for [Specialised Cables category](#):

Click to view products by [TE Connectivity manufacturer](#):

Other Similar products are found below :

[603PT6](#) [603SS6L](#) [604PT6](#) [604SS6](#) [706000D02F200](#) [910640](#) [1200740077](#) [1200740114](#) [AC172](#) [ACL-SSI-4](#) [R88ACAKA0015SRE](#)
[R88ACAWL005SDE](#) [R88ACRGD0R3C](#) [1300150047](#) [1300660036](#) [1302262116](#) [1300150149](#) [1300220020](#) [1300220104](#) [1300220119](#)
[1301240492](#) [1301810221](#) [1365323-1](#) [1613055](#) [176P12](#) [1971465-2](#) [20240400003](#) [20240400013](#) [2085828-1](#) [20886510030](#) [2-22733-8](#) [22733-](#)
[8](#) [CB-5PSBC-RS](#) [CB-704EC-RS](#) [CB-BATACC-RS](#) [CB-JST3PSW-RS](#) [CB-M12COM-R10](#) [25AC84](#) [25AK84X](#) [25AU25](#) [25FN82](#) [3011-03](#)
[AC118](#) [ACL-HHS-1M\(CAT5E\)](#) [SSL009PC2DC012N](#) [FC2A-KC6C](#) [2085828-2](#) [20886510150](#) [CCS-FCB-5](#) [CCSFCBF2](#)