

THIS DRAWING IS UNPUBLISHED. RELEASED FOR PUBLICATION 20  
 © COPYRIGHT 20 BY - ALL RIGHTS RESERVED.

REVISIONS					
P	LTR	DESCRIPTION	DATE	DWN	APVD
A		RELEASED PER ECO-15-013901	21SEP2015	RLK	MM
B		REVISED PER ECO-16-007344	08JUN2016	RLK	MM
C		REVISED PER ECO-17-003145	11MAR2017	RLK	MM

1 MATERIAL:  
 CONNECTOR HOUSING: UL94 V-0 RATED THERMOPLASTIC, COLOR: BLACK  
 LATCH: THERMOPLASTIC, COLOR BLACK  
 CABLE JACKET: THERMOPLASTIC ELASTOMER, COLOR: BLACK  
 CABLE CONDUCTORS: COPPER ALLOY  
 CONNECTOR CONTACTS: BRASS ALLOY

2 FINISH:  
 CONNECTOR CONTACTS: SILVER OVER NICKEL

3 CHARGING CABLE: TE CONNECTIVITY PROPRIETARY  
 UL LISTING: TYPE EVE  
 CABLE COLOR, LENGTH AND WIRE TERMINATIONS ARE FULLY CUSTOMIZABLE

4. EV CONNECTOR TECHNICAL PARAMETERS:  
 CURRENT, 32A, VOLTAGE, 240 VAC  
 INGRESS PROTECTION: IP66  
 STATIC RESISTANCE  
 (FROM PROX. DETECTION TO GROUND) 150ohm  
 RESISTANCE WILL INCREASE TO 480ohm WHEN LATCH IS DEPRESSED

5. THIS PRODUCT IS DESIGNED IN ACCORDANCE WITH SAE INTERNATIONAL SPECIFICATION J1772

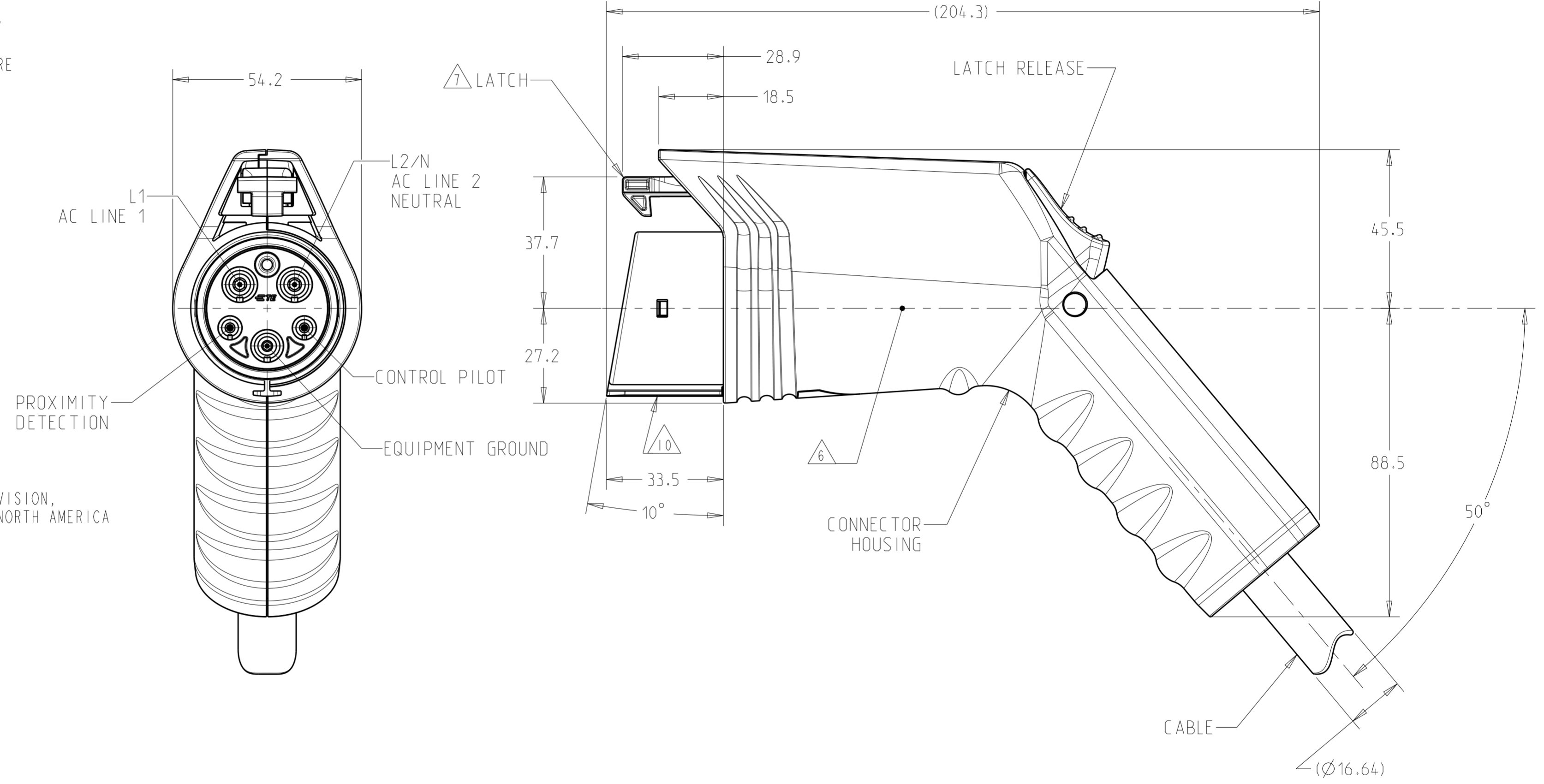
6 CENTER LINE OF VEHICLE INLET

7 LATCH IS SHOWN IN LOCKED POSITION

8. THIS PRODUCT IS RoHS COMPLIANT

9. UL RECOGNITION UNDER E349950

10 THE FOLLOWING INFORMATION IS MARKED ON THE CONNECTOR KEY: TE LOGO, TE PART NUMBER, REVISION, DATE CODE (YYWW) AND UL COMPONENT MARK IN NORTH AMERICA



3	7.62m (25 FT)	2267221-4
	6.1m (20 FT)	2267221-3
	4.6m (15 FT)	2267221-2
	3.05m (10 FT)	2267221-1
CABLE	CABLE LENGTH	PART NUMBER

THIS DRAWING IS A CONTROLLED DOCUMENT.

DIMENSIONS:	TOLERANCES UNLESS OTHERWISE SPECIFIED:	DWN	24APR2015	TE Connectivity
mm	0 PLC ±	CHK	24APR2015	
	1 PLC ±0.4	M. MERCURIO		
	2 PLC ±	G. DEFI BAUGH		
	3 PLC ±	APVD	25SEP2015	NAME
	4 PLC ±			EV CONNECTOR ASSEMBLY
	ANGLES ±2°			16mm CABLE, UL, BLACK
	FINISH			SIZE
MATERIAL				A2
				CAGE CODE
				00779
				DRAWING NO
				C-2267221
				RESTRICTED TO
				SCALE
				1:1
				SHEET
				OF
				REV
				C

Customer Drawing

## X-ON Electronics

Largest Supplier of Electrical and Electronic Components

*Click to view similar products for [Specialised Cables category](#):*

*Click to view products by [TE Connectivity manufacturer](#):*

Other Similar products are found below :

[GP-IE515546DS-002](#) [96CB-L2020PIB2](#) [1200740161](#) [R88ACAKA0015SRE](#) [R88ACAWL005SDE](#) [1300660042](#) [1300660201](#) [1971465-2](#)  
[22733-8](#) [2R7004A20F060](#) [SSL009PC2DC012N](#) [FC2A-KC6C](#) [CCSFCBF2](#) [XS2WM12PUR4SA10M](#) [XS2WM12PVC4SA10M](#) [05AU05](#)  
[UCABLE](#) [10114734-2010LF](#) [XW2Z010H3](#) [XW2Z010H1](#) [5-1589827-8](#) [5-1589827-4](#) [861084-1](#) [XW2Z200JB24](#) [5-1589956-8](#)  
[CR4000A76M020](#) [1201140211](#) [1300140039](#) [CR4000A76M005](#) [CR4006A76M005](#) [10077488-N0550FDLF](#) [XW2ZRY150C](#) [0243 009 05](#)  
[0243 009 20](#) [0243 009 36](#) [0243 009 26](#) [0243 009 33](#) [0243 009 23](#) [0243 009 01](#) [0243 009 30](#) [0243 008 05](#) [0243 008 36](#) [0243 008 23](#) [0243 008](#)  
[01](#) [0243 008 29](#) [0243 011 05](#) [0243 011 20](#) [0243 011 36](#) [0243 011 26](#) [0243 011 23](#)