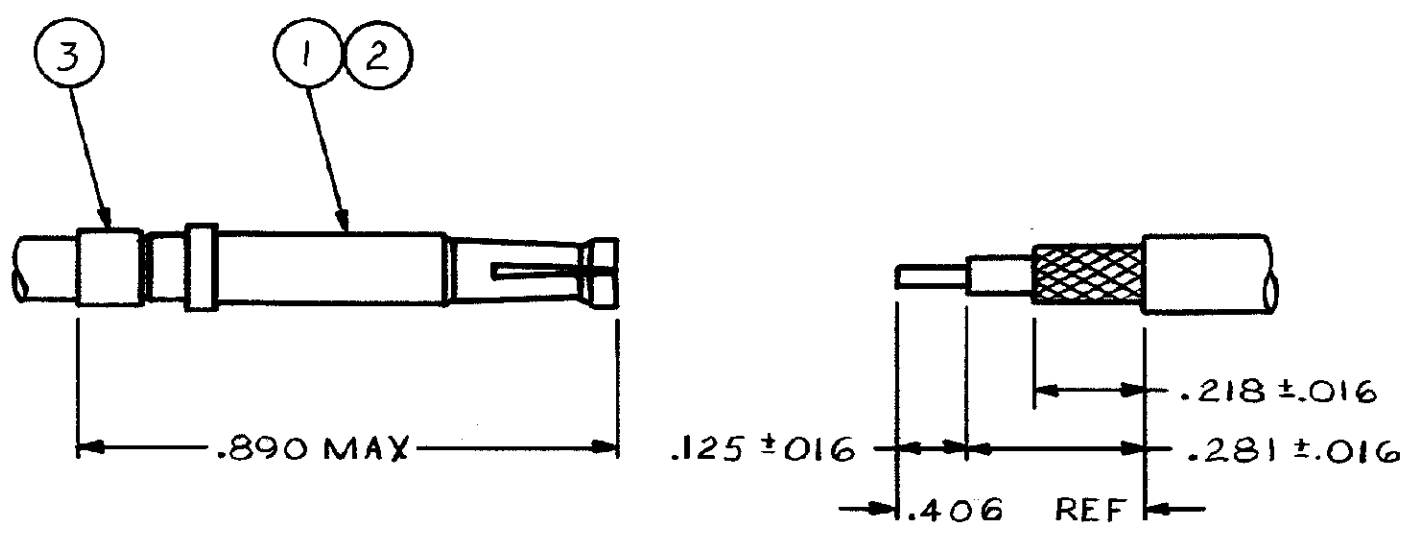


THIS DRAWING IS UNPUBLISHED. RELEASED FOR PUBLICATION . 19
 © COPYRIGHT 19 BY AMP INCORPORATED, HARRISBURG, PA. ALL INTERNATIONAL RIGHTS RESERVED. AMP PRODUCTS MAY BE COVERED BY U.S. AND FOREIGN PATENTS AND/OR PATENTS PENDING.

REVISIONS						
P	F	ZONE	LTR	DESCRIPTION	DATE	APPROVED
✓	✓			D REV & REDWN AJ-1033	3/18/85	myk sc



RECOMMENDED STRIP LENGTH

1. FOR USE WITH RG: 188/U, 316/U CABLE
2. FERRULE CRIMPING TOOL: DANIELS TOOL M22520/4-01 & POSITIONER NO GP475 OR AMP TOOL 601963-1 & POSITIONER NO 601963-2
3. CONTACT CRIMPING TOOL: DANIELS TOOL M22520/2-01 & POSITIONER NO K370 OR AMP TOOL 601966-1 & POSITIONER NO 2-601966-8, WITH SETTING NO 2
4. SEE I.S. 2348-4
5. PRODUCT IS DESIGNED TO MEET PRODUCT SPEC 108-12045

ITEM	QTY	DESCRIPTION	PART NO
3	1	FERRULE	1-225573-1
2	1	CONTACT	225954-2
1	1	SHELL ASSY	225951-1

UNLESS OTHERWISE SPECIFIED DIMENSIONS ARE IN INCHES. TOLERANCES ON: DECIMALS ± ANGLES ± =	CONTRACT NO		AMP AMP INCORPORATED Harrisburg, Pa.	
	DR <i>M. Lane 3-8-85</i>			
	CIRC <i>T. Smith 3/1/85</i>		NAME CONNECTOR, COAXIAL, RF, SOCKET, SIZE 15, ARINC	
	APPD <i>S.S.P. 3-22-85</i>		SIZE B	FSCM NO 00779
MATERIAL	APPD	DSGN APPD	SCALE NTS	SHEET
FINISH	OTHER APPD <i>myk 3/24/85</i>			

X-ON Electronics

Largest Supplier of Electrical and Electronic Components

Click to view similar products for [Rack & Panel Connectors](#) category:

Click to view products by [TE Connectivity](#) manufacturer:

Other Similar products are found below :

[00170420102](#) [00171420202](#) [00171440002](#) [008026165000265](#) [02-014-013-5200-000](#) [613467-000](#) [CTJ112E01E-513](#) [CTJ116E03A-513](#)
[M81714/63-22S L/C](#) [M81714/65-12-1](#) [66020-2](#) [CW8958-000](#) [699886-000](#) [D250-50632](#) [70.400.3240.0](#) [70.955.2453.3](#) [733753-000](#) [F22831-000](#) [780-522-DPX34RG8-02](#) [MMA25-0341D1](#) [8660-501](#) [87.060.0053.0](#) [900709N001](#) [QRP4-12P-C\(01\)](#) [QR/P6-6S-C\(01\)](#) [1218600-1](#) [D-659-0061](#) [DMC-MD 24 C-T](#) [1-445717-6](#) [1484398-2](#) [1484399-2](#) [1484469-2](#) [MR-34MG](#) [1604997-2](#) [1663130-1](#) [1663767-7](#) [1663767-8](#) [MTC100-BF1-P31CS015](#) [MTC100-KT2-0083](#) [MTC100-KT2-0123-003](#) [MTC100-YA1-005](#) [MTCB1X-105-XXX](#) [MTCQKT1R2PGCA](#) [MTCR-103-04S](#) [MTCX1X-100-100CS025](#) [1738331-1](#) [1757667-1](#) [1883433-1](#) [1996636-1](#) [201784-4](#)