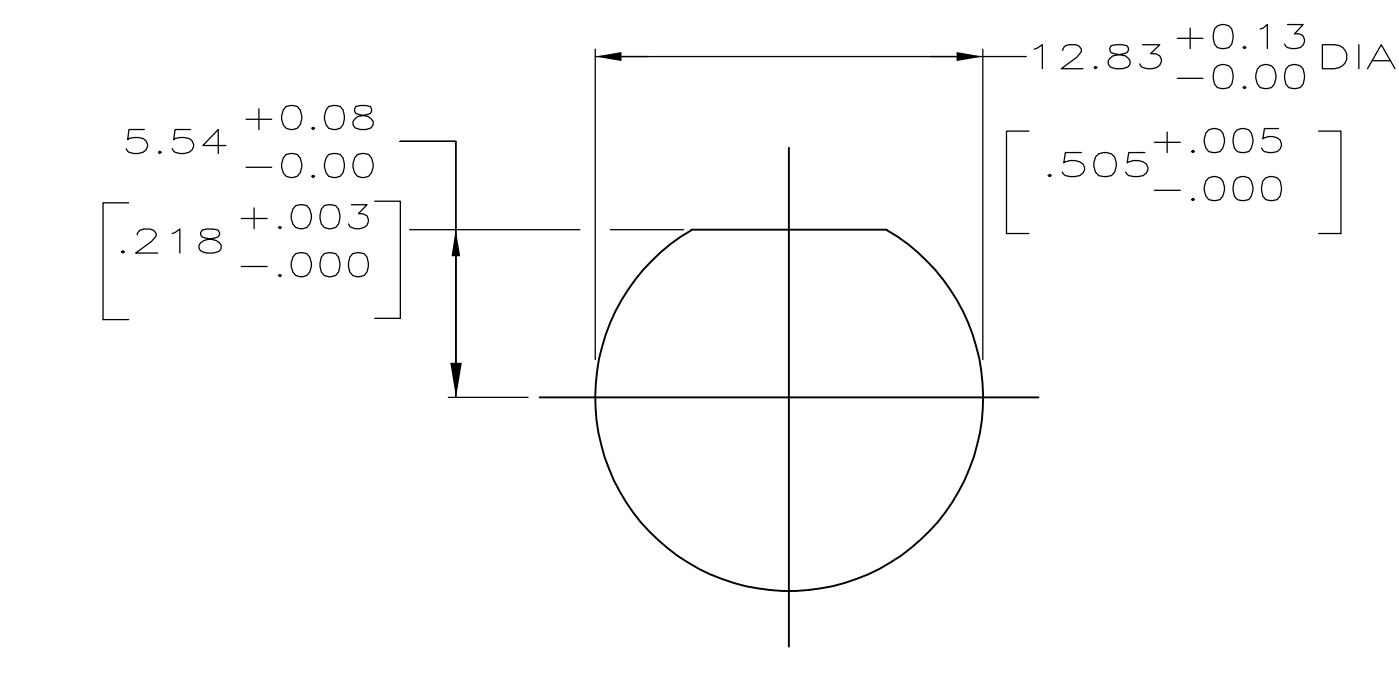
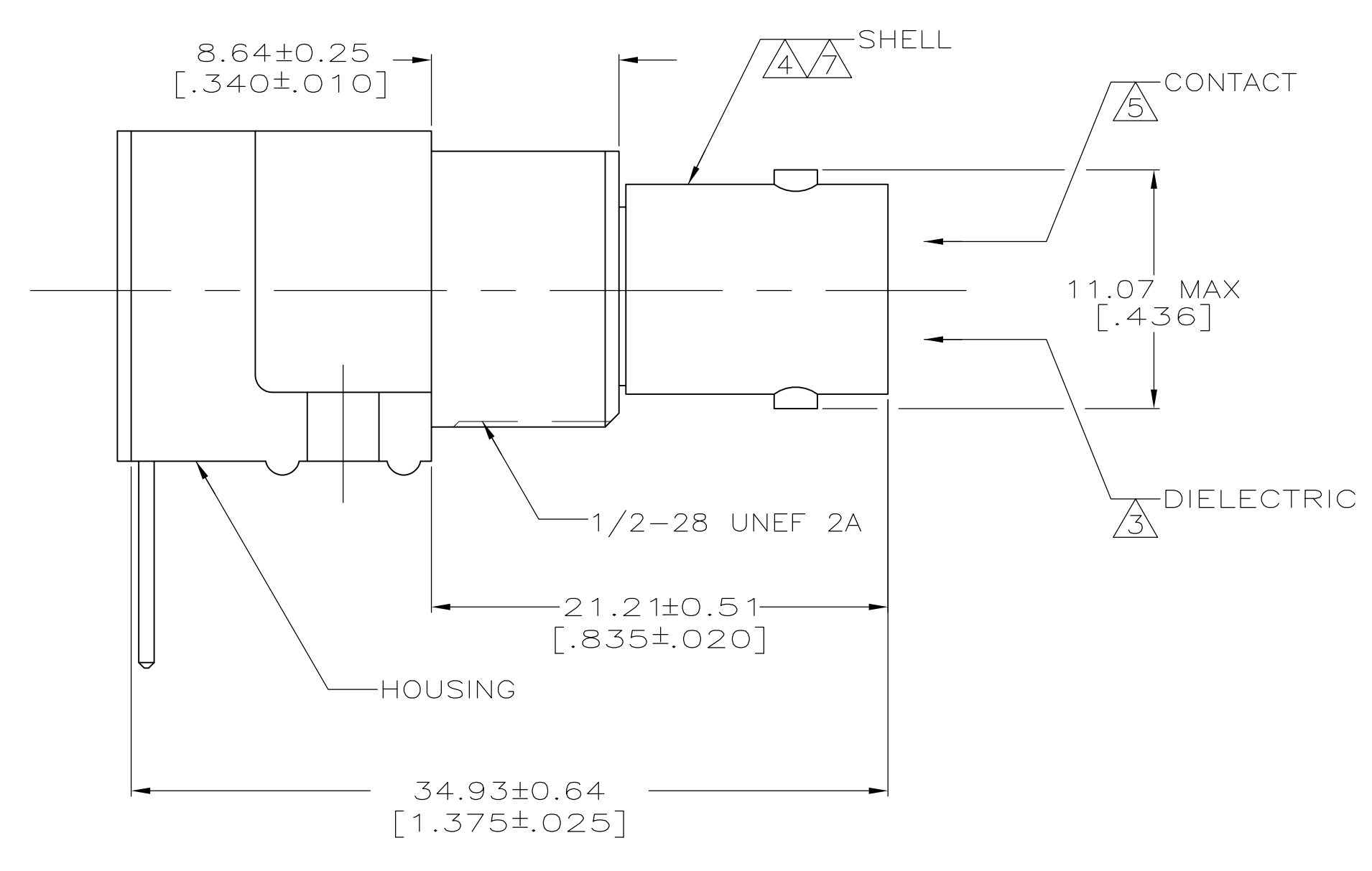
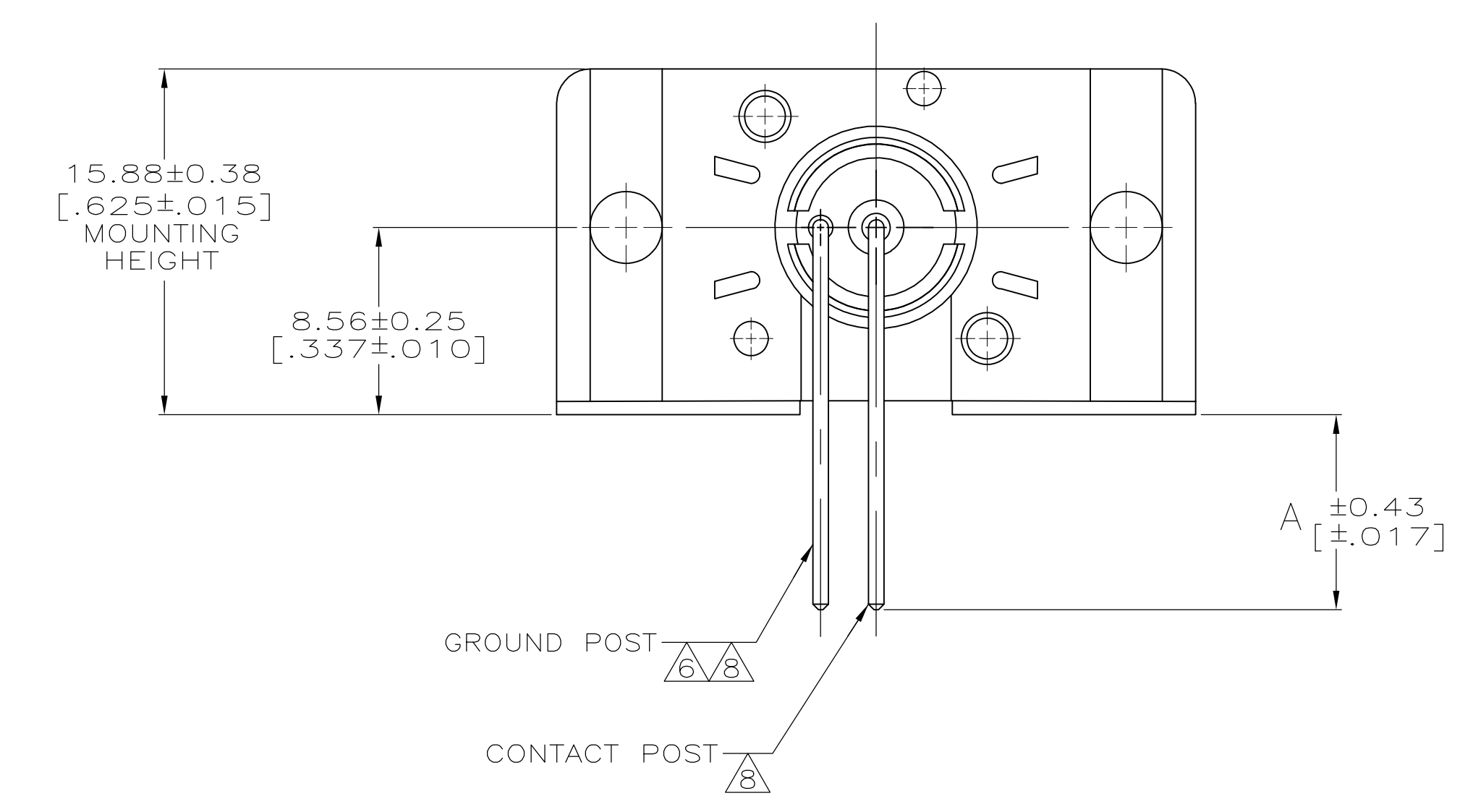
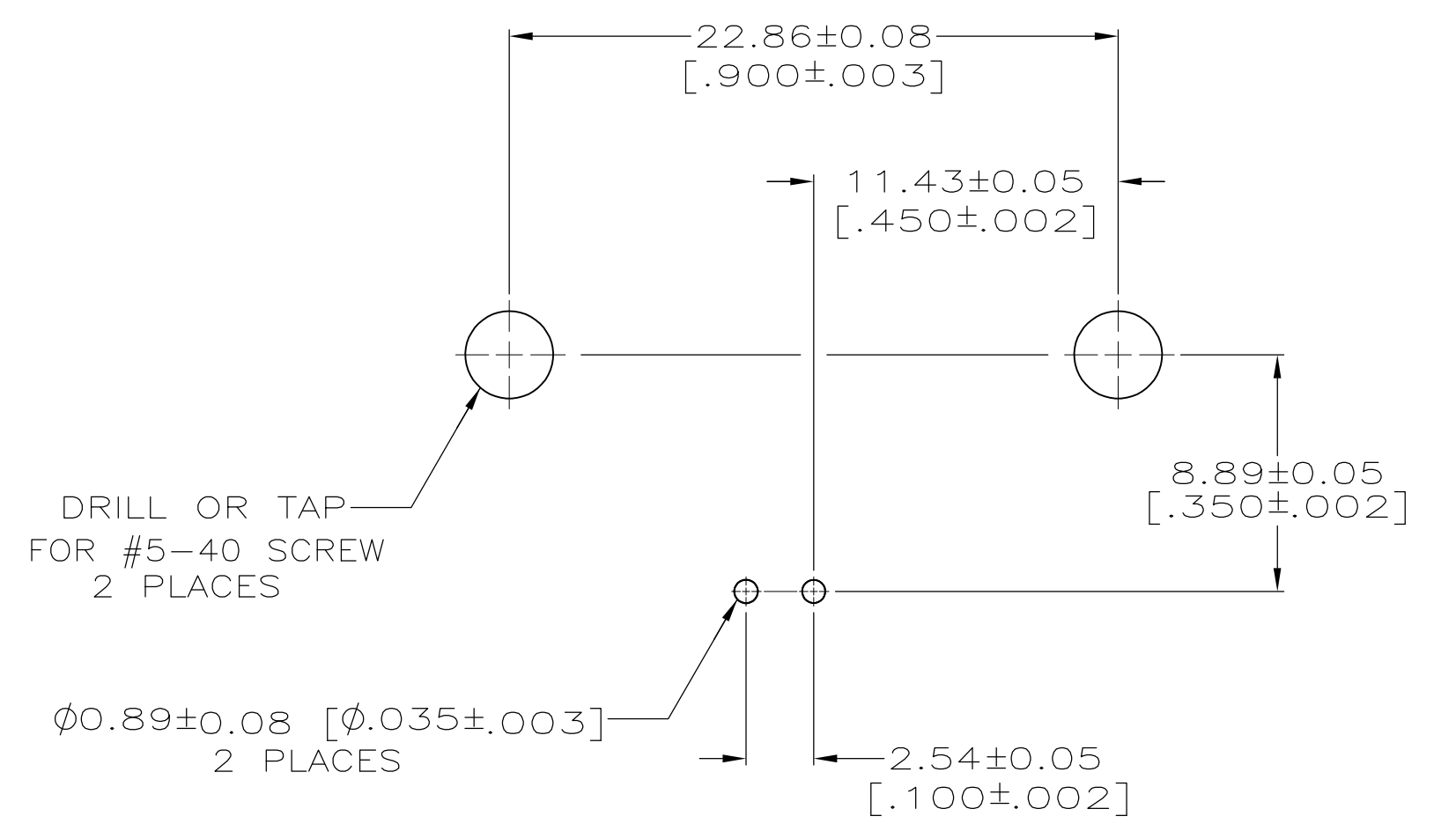


- 1 POLYESTER PBT PER MIL-M-24519, TYPE GPT-15F, UL94V-O RATED, COLOR:NATURAL
- 2 POLYESTER PBT PER MIL-M-24519, TYPE GPT-15F, UL94V-O RATED, COLOR:BLACK
- 3 POLYMETHYLPENTENE, GENERAL PURPOSE.
- 4 ZINC PER QQ-Z-363.
- 5 PHOSPHOR BRONZE PER QQ-B-750.
- 6 BRASS PER ASTM-B-453.
- 7 NICKEL PLATE PER QQ-N-290, 3.81 μm [.000150] MINIMUM THICK.
- 8 TIN PLATE PER ASTM-B-545, 3.81 μm [.000150] MINIMUM THICK.
- 9 GOLD PLATE PER MIL-G-45204, 0.76 μm [.000030] MINIMUM THICK.
- 10 SILVER PLATE PER QQ-S-365, 2.54 μm [.000100] MINIMUM THICK.
- 11 SILVER PLATE PER QQ-S-365, 5.08 μm [.000200] MINIMUM THICK.
- 12. SEE INSTRUCTION SHEET 2769.



RECOMMENDED PANEL CUTOUT



PCB CONFIGURATION

SUPERSEDED BY 226978-3	8.89 [.350]	11	11	226978-7
SUPERSEDED BY 226990-6 OR 227161-6	4.11 [.162]	9	9	226978-6
SUPERSEDED BY 226978-3	4.11 [.162]	10	10	226978-5
SUPERSEDED BY 226990-6 OR 227161-6	4.11 [.162]	10	10	226978-4
	4.11 [.162]	9	9	226978-3
SUPERSEDED BY 226990-2 OR 227161-2	4.11 [.162]	8	8	226978-2
	4.11 [.162]	8	8	226978-1

THIS DRAWING IS A CONTROLLED DOCUMENT.		DIN B SCOTT 05-06-91	Tyco Electronics Corporation Harrisburg, PA 17105-3608	
DIMENSIONS: INCHES		CHK J. LIPPERT 6-7-91	APVD A. GABANY 8-7-91	
TOLERANCES UNLESS OTHERWISE SPECIFIED:		NAME JACK, RIGHT ANGLE, 50 OHM, PCB, SERIES BNC		
0. PLC ± -	1. PLC ± -	PRODUCT SPEC 108-12078		
2. PLC ± 0.20 [.008]	3. PLC ± -	APPLICATION SPEC		
4. PLC ± -	ANGLES ± -	SIZE A1	CAGE CODE 00779	DRAWING NO. 226978
MATERIAL SEE NOTES 1-6	FINISH SEE NOTES 7-11	WEIGHT	RESTRICTED TO	
CUSTOMER DRAWING		SCALE 4:1	SHEET 1 of 1	REV T

X-ON Electronics

Largest Supplier of Electrical and Electronic Components

Click to view similar products for [RF Connectors](#) / [Coaxial Connectors](#) category:

Click to view products by [TE Connectivity](#) manufacturer:

Other Similar products are found below :

[R125315120](#) [8915-1511-000](#) [89674-0827](#) [5916-1103-603](#) [6-0001-3](#) [6001-7071-019](#) [6002-7051-003](#) [6002-7551-202](#) [6059674-1](#) [619550-1](#)
[630059-000](#) [M39012/25-0021](#) [M39012/79-3008](#) [M39030/3-01N](#) [M39030/3-03N](#) [M3933/25-36N](#) [6500-7071-046](#) [M83723/72W24576](#)
[M83723/72W2457N](#) [6769](#) [CX050L2AQ](#) [7002-1541-010](#) [7002-1572-002](#) [7003-1572-002](#) [7010-1511-000](#) [7029-1511-060](#) [7101-1541-010](#)
[7101-1571-002](#) [7105-1521-002](#) [7145-1521-002](#) [7209-1511-011](#) [7210-1511-015](#) [7210-1511-019](#) [7225-1512-050](#) [7242-1511-000](#) [73137-5015](#)
[73251-0111](#) [73251-0672](#) [7325-1512-000](#) [73276-1501](#) [73366-0013](#) [73404-2300](#) [73413-6080](#) [73415-5721](#) [7405-1521-005](#) [7405-1521-802](#)
[7406-1521-005](#) [804S01D04M040](#) [8145-1521-002](#) [81590](#)