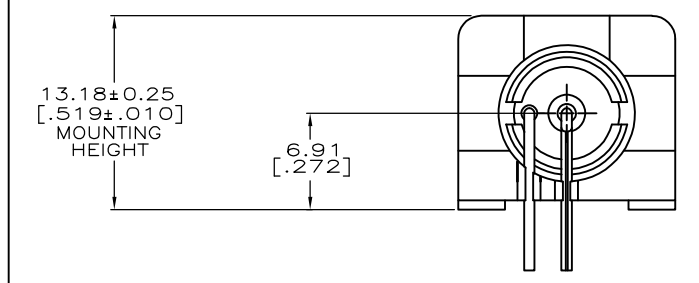
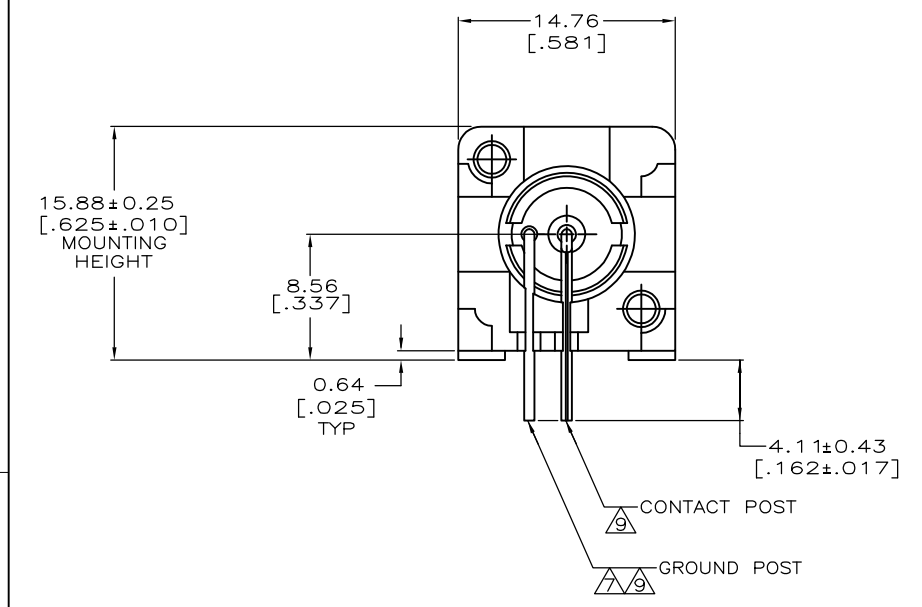


THIS DRAWING IS UNPUBLISHED. RELEASED FOR PUBLICATION
 © COPYRIGHT - BY TYCO ELECTRONICS CORPORATION. ALL RIGHTS RESERVED.

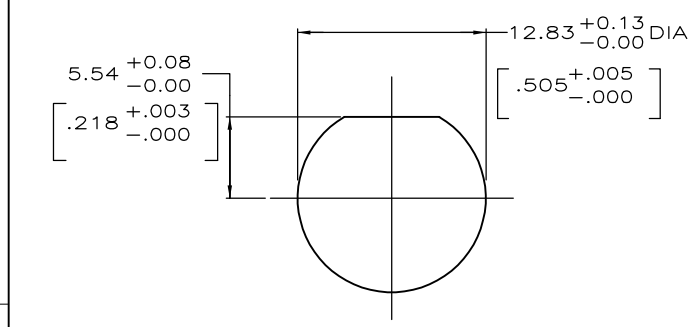
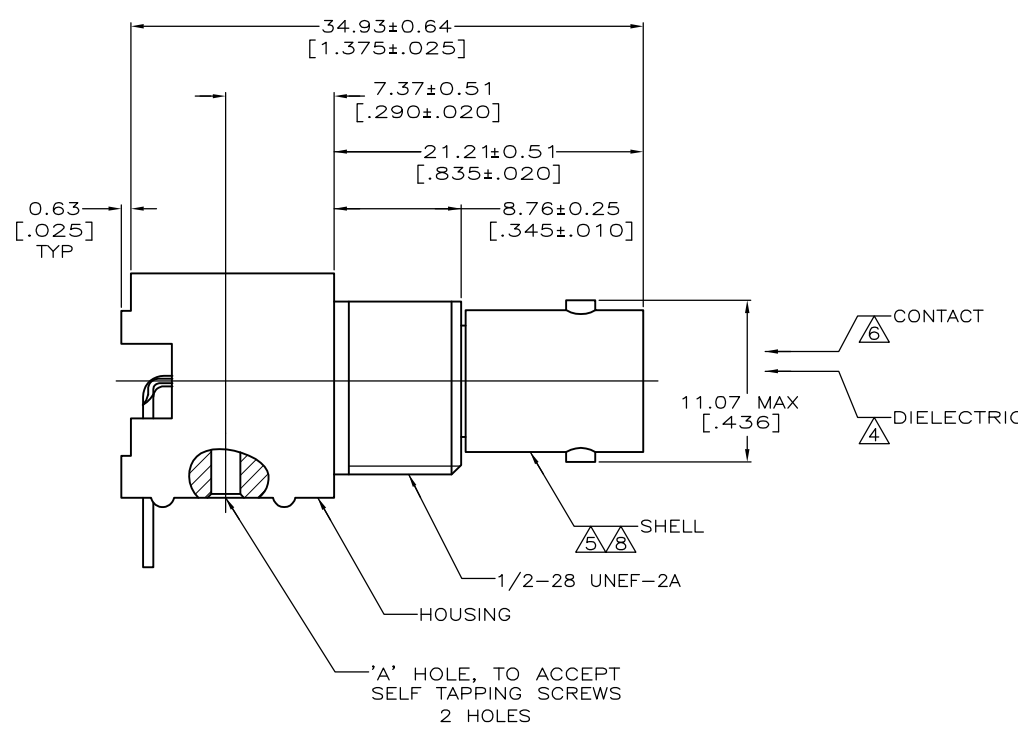
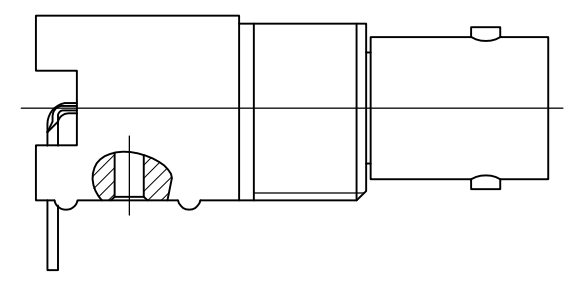
LOC	DIST	REVISIONS					
AJ	16	P	LTR	DESCRIPTION	DATE	DWN	APVD
			Z	REV PER ECO 08-009474	7/18/2008	DW	JL



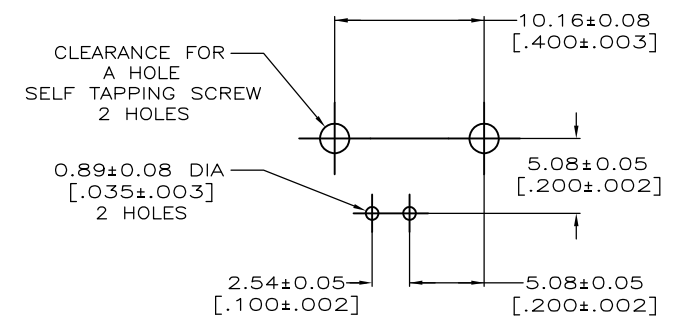
VIEW B
(SAME AS VIEW A EXCEPT AS SHOWN)



VIEW A



RECOMMENDED PANEL CUTOUT



PCB CONFIGURATION

- 1 POLYESTER PBT PER MIL-M-24519, TYPE GPT-15F, UL94V-O RATED, COLOR:NATURAL
- 2 POLYESTER PBT PER MIL-M-24519, TYPE GPT-15F, UL94V-O RATED, COLOR:BLACK
- 3 POLYESTER PBT PER MIL-M-24519, TYPE GPT-15F, UL94V-O RATED, COLOR:BLUE
- 4 POLYMETHYLPENTENE, GENERAL PURPOSE.
- 5 ZINC PER QQ-Z-363.
- 6 PHOSPHOR BRONZE PER QQ-B-750.
- 7 BRASS PER ASTM-B-453.
- 8 NICKEL PLATE PER QQ-N-290, 3.81 μm [.000150] MINIMUM THICK.
- 9 TIN PLATE PER ASTM-B-545, 3.81 μm [.000150] MINIMUM THICK.
- 10 GOLD PLATE PER MIL-G-45204, 0.76 μm [.000030] MINIMUM THICK.
- 11 SILVER PLATE PER QQ-S-365, 2.54 μm [.000100] MINIMUM THICK.
- 12. SEE INSTRUCTION SHEET 2769.

SUPERSEDED BY 226990-7	B	M2.6	10	11	226990-8
OBSOLETE	B	#2-56	9	11	226990-7
	A	#2-56	10	11	226990-6
SUPERSEDED BY 226990-3	A	#2-56	11	11	226990-5
SUPERSEDED BY 226990-6	A	#2-56	11	11	226990-4
	A	#2-56	10	11	226990-3
OBSOLETE	A	#2-56	9	11	226990-2
	A	#2-56	9	11	226990-1
	VIEW	A HOLE	CONTACT PLATING	HOUSING MATERIAL	PART NUMBER

THIS DRAWING IS A CONTROLLED DOCUMENT.		DWN B. SCOTT 04-30-91	Tyco Electronics Corporation Harrisburg, Pa 17105-3608		
DIMENSIONS: mm [INCHES]		CHK J. LIPPERT 08-06-91	NAME JACK, PANEL, RIGHT ANGLE, 50 OHM, PCB, SERIES BNC		
TOLERANCES UNLESS OTHERWISE SPECIFIED:		APVD A. GABANY 08-06-91	PRODUCT SPEC 108-12078		
0 PLC ± -		APPLICATION SPEC -			
1 PLC ± -		SIZE A3			
2 PLC ± 0.20 [.008]		CAGE CODE 00779			
3 PLC ± -		DRAWING NO C-226990			
4 PLC ± -		RESTRICTED TO -			
ANGLES ± -		SCALE 4:1			
MATERIAL 1 THRU 7		SHEET 1 OF 1			
FINISH 8 THRU 11		REV Z			
CUSTOMER DRAWING					

X-ON Electronics

Largest Supplier of Electrical and Electronic Components

Click to view similar products for [RF Connectors / Coaxial Connectors](#) category:

Click to view products by [TE Connectivity](#) manufacturer:

Other Similar products are found below :

[8915-1511-000](#) [89674-0827](#) [6001-7071-019](#) [6002-7051-003](#) [6002-7551-202](#) [6059674-1](#) [619550-1](#) [630059-000](#) [M39030/3-01N](#) [6500-7071-046](#) [6769](#) [CX050L2AQ](#) [7002-1541-010](#) [7002-1542-011](#) [7004-1512-000](#) [7009-1511-004](#) [7010-1511-000](#) [7029-1511-060](#) [7101-1541-010](#) [7101-1571-002](#) [7145-1521-002](#) [7203-1571-003](#) [7209-1511-011](#) [7210-1511-015](#) [7210-1511-019](#) [73137-5015](#) [73216-2241](#) [73404-2300](#) [7405-1521-005](#) [7405-1521-802](#) [8527](#) [8547](#) [FS11V](#) [877931](#) [8808-1511-001](#) [9074-9513-000](#) [9101-9573-002](#) [910A205F](#) [9130-9573-002](#) [PL11SC-026](#) [PL375-33](#) [PL40-5](#) [PL74C-221](#) [PL75MC-217](#) [PL803-7](#) [1200690078](#) [1-201144-1](#) [R107003010W](#) [R110A172100](#) [R112186000](#)