

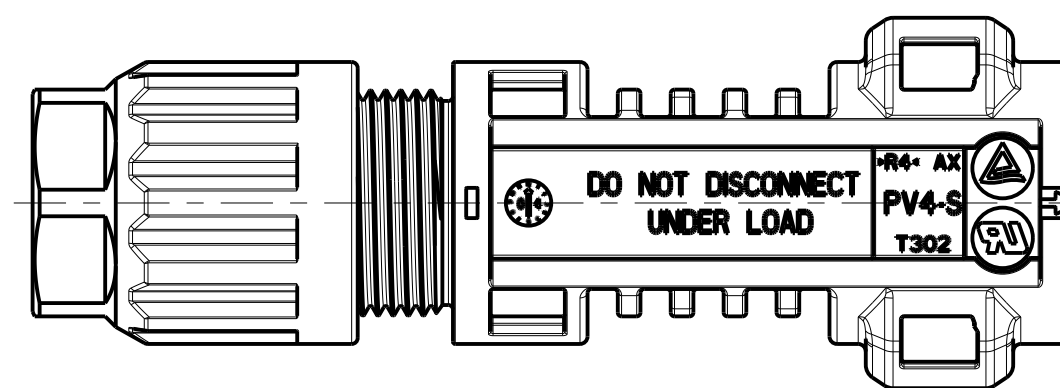
| LOC | DIST | REVISIONS |     |                        |           |     |      |
|-----|------|-----------|-----|------------------------|-----------|-----|------|
|     |      | P         | LTR | DESCRIPTION            | DATE      | DWN | APVD |
| -   | -    | B1        |     | UPDATED CABLE DIAMETER | 01JUN2018 | GCM | MZ   |
|     |      | B2        |     | REVISED DRAWING        | 28SEP2018 | MZ  | MZ   |
|     |      | B3        |     | ADDED NEW P/Ns         | 25NOV2019 | MZ  | PO   |
|     |      | B4        |     | ADDED NEW P/N -5       | 18JAN2021 | MZ  | MZ   |

1 SPECIFICATION:

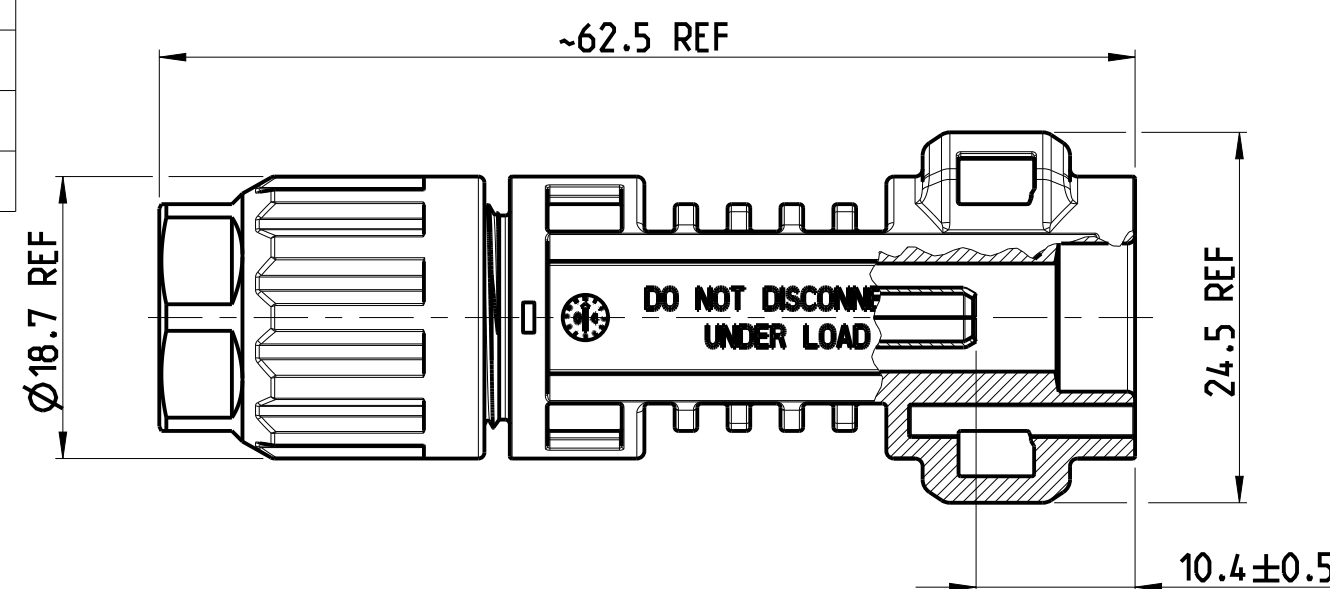
|                                 |   |                           |                           |
|---------------------------------|---|---------------------------|---------------------------|
| CABLE CONDUCTOR SIZE            | 2.5MM <sup>2</sup> /14AWG   | 4.0MM <sup>2</sup> /AWG12 | 6.0MM <sup>2</sup> /AWG10 |
| RATED CURRENT (AT 85°C AMBIENT) | UL 15A DC<br>TUV 35A DC   | UL 20A DC<br>TUV 40A DC   | UL 30A DC<br>TUV 45A DC   |
| RATED VOLTAGE                   | PV4-S: UL 1000V DC / TUV 1000V DC<br>PV4-S1: UL 1500V DC / TUV 1500V DC |                           |                           |
| DEGREE OF PROTECTION, MATED     | IP 68 (1m, 24h)   |                           |                           |
| AMBIENT TEMPERATURE RANGE       | -40°C ~ +85°C   |                           |                           |
| OVERVOLTAGE CATEGORY            | III   |                           |                           |
| POLLUTION DEGREE                | 2   |                           |                           |
| CONTACT RESISTANCE              | 0.5 mΩ  |                           |                           |
| CONTACT MATERIAL                | COPPER, TIN PLATED  |                           |                           |
| INSULATION MATERIAL             | THERMOPLASTIC, UL94-V0  |                           |                           |
| SAFETY CLASS                    | II  |                           |                           |
| STRIP LENGTH                    | 6.5 mm  |                           |                           |
| CABLE JACKET DIAMETER           | TUV: 5.0-7.8 mm / UL: 5.5-7.8 mm  |                           |                           |

2 CONTACT SHOWN UNINSTALLED, FOR REFERENCE ONLY

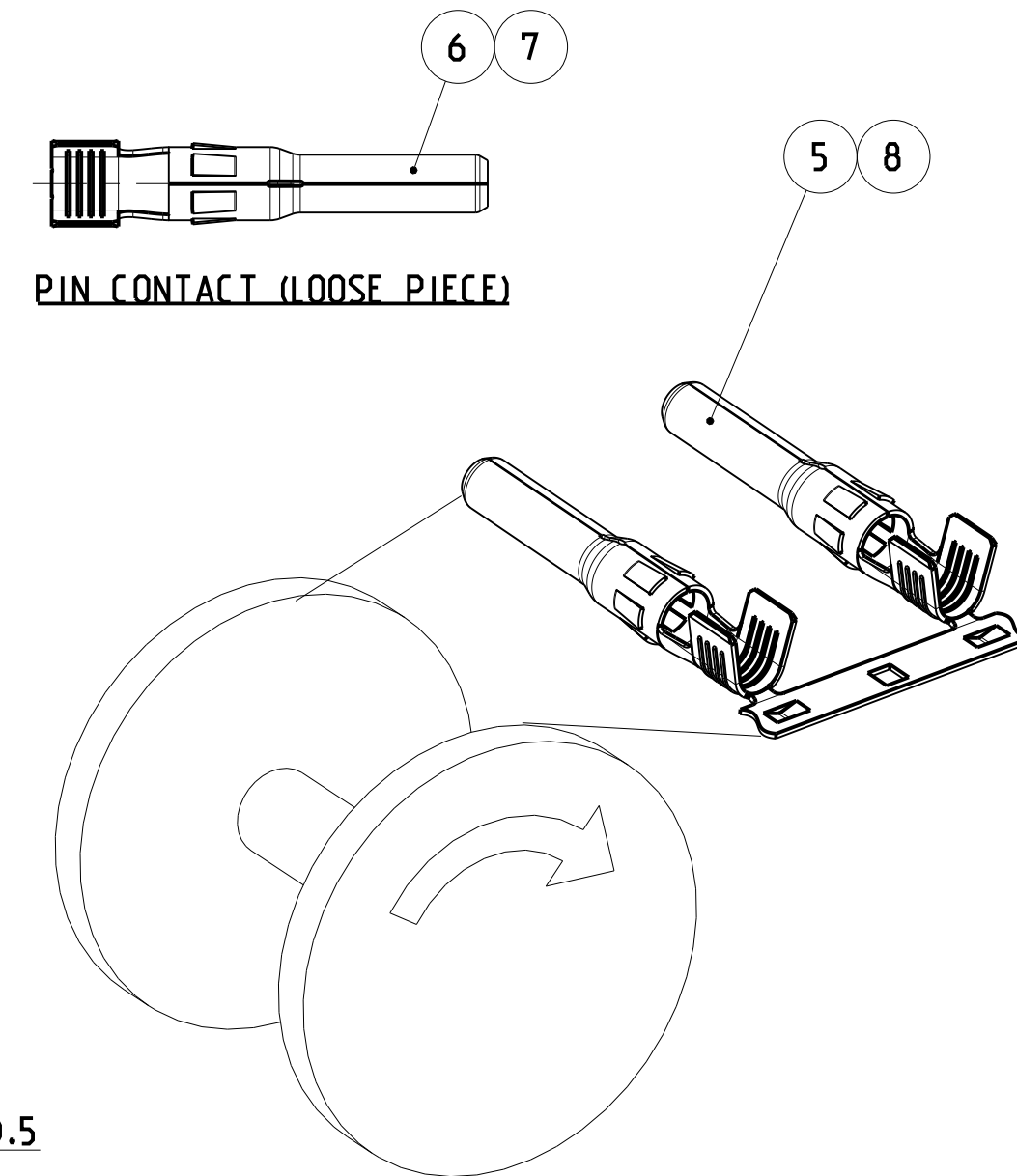
3 USE ONLY CRIMPING TOOL OF TE CONNECTIVITY TO CRIMP CONTACT:  
 A. CRIMPING TOOL PN 6-1579014-9 WILL BE USED FOR CRIMPING THE CONTACTS HAVING WIRE SIZE 2.5mm<sup>2</sup> AND 4.0mm<sup>2</sup>  
 B. CRIMPING TOOL PN 6-1579014-8 WILL BE USED FOR CRIMPING THE CONTACTS HAVING WIRE SIZE 4.0mm<sup>2</sup> AND 6.0mm<sup>2</sup>



PREASSEMBLED VIEW AS SHOWN

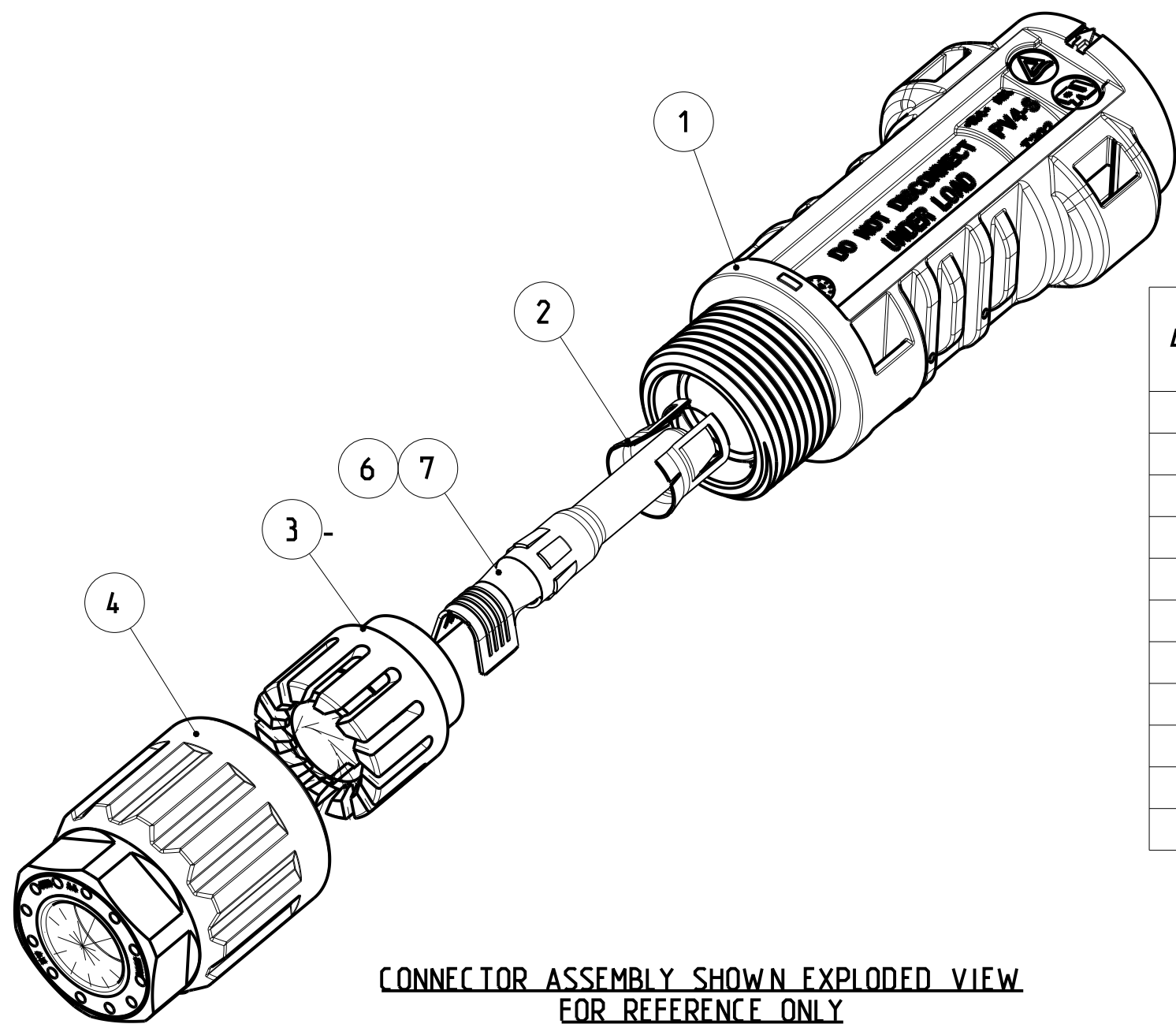


ASSEMBLED VIEW AS SHOWN



STRIP CONTACT COME OFF TO ASSEMBLY  
 2000 PCS CONTACTS MOUNTED REEL  
 REEL TYPE SUBJECT TO ALTERNATION

-1 AS SHOWN



CONNECTOR ASSEMBLY SHOWN EXPLODED VIEW FOR REFERENCE ONLY

| 4- -3                            | 4- -1 | 3- -3 | 3- -1 | 2- -3 | 2- -1 | 1- -3 | 1- -1 | -5 | -3 | -1 | PART NUMBER   | ITEM NO |
|----------------------------------|-------|-------|-------|-------|-------|-------|-------|----|----|----|---|---------|
| 1000                             | 2000  | 1000  | 2000  | 100   | 2000  | 10    | 1000  |    |    |    | PACKAGING QTY.  |         |
| TUV: 5.0-7.8 mm / UL: 5.5-7.8 mm |       |       |       |       |       |       |       |    |    |    | CABLE JACKET DIAMETER in mm                             |         |
| 1                                | -     | -     | -     | -     | -     | 1     | -     | -  | -  | -  | PIN CONTACT, 2.5 mm <sup>2</sup> /14AWG, STRIP          | 8       |
| -                                | 1     | -     | -     | 1     | -     | -     | -     | -  | 1  | -  | PIN CONTACT, 2.5 mm <sup>2</sup> /14AWG, LOOSE PIECE    | 7       |
| -                                | -     | 1     | -     | -     | 1     | -     | -     | 1  | -  | 1  | PIN CONTACT, 4-6 mm <sup>2</sup> /10-12AWG, LOOSE PIECE | 6       |
| -                                | -     | -     | 1     | -     | -     | -     | 1     | -  | -  | -  | PIN CONTACT, 4-6 mm <sup>2</sup> /10-12AWG, STRIP       | 5       |
| 1                                | 1     | 1     | 1     | 1     | 1     | 1     | 1     | 1  | 1  | 1  | CABLE SCREW JOINT                                       | 4       |
| 1                                | 1     | 1     | 1     | 1     | 1     | 1     | 1     | 1  | 1  | 1  | PINCH RING SEAL INMOLDED, ASSY                          | 3       |
| 1                                | 1     | 1     | 1     | 1     | 1     | 1     | 1     | 1  | 1  | 1  | METAL CLIP  | 2       |
| 1                                | 1     | 1     | 1     | 1     | 1     | 1     | 1     | 1  | 1  | 1  | PV4-S1 PIN CONNECTOR                                    | 1       |
| QUANTITY PER ASSEMBLY            |       |       |       |       |       |       |       |    |    |    | DESCRIPTION   |         |

THIS DRAWING IS A CONTROLLED DOCUMENT.

|                |  |                              |  |
|----------------|--|------------------------------|--|
| DIMENSIONS: mm | TOLERANCES UNLESS OTHERWISE SPECIFIED: | DWN: WANG LORRY 13JUN2014    | TE Connectivity  |
|                |  | CHK: TAO DANIEL 13JUN2014    |  |
|                |  | APVD: PETER YIN 13JUN2014    |  |
|                |  | PRODUCT SPEC: 108-137077     |  |
| MATERIAL       |  | APPLICATION SPEC: 114-137077 | NAME: PIN CONNECTOR KITS PV4-S1 CONNECTOR, PV4-S1M*              |
|                |  | WEIGHT: -                    | SIZE: A2 CAGE CODE: 00779 DRAWING NO: C-2270024 RESTRICTED TO: - |
|                |  | CUSTOMER DRAWING             | SCALE: 2:1 SHEET 1 OF 1 REV: B4                                  |

## X-ON Electronics

Largest Supplier of Electrical and Electronic Components

*Click to view similar products for [Solar Connectors / Photovoltaic Connectors](#) category:*

*Click to view products by [TE Connectivity](#) manufacturer:*

Other Similar products are found below :

[1740699-7](#) [1971861-4](#) [1971131-4](#) [1971858-3](#) [1971861-3](#) [PV-090508-F03](#) [PV-090508-M10](#) [PV-090510-F03](#) [PV-CM-S 2 5-6 \(-\)](#) [2270184-3](#)  
[2270154-2](#) [2270226-4](#) [PV-090508-M06-N](#) [1987558-2](#) [PV-090506-F03](#) [UTXPM](#) [UTXPF](#) [UTXCMB6AM](#) [1627092](#) [1017635](#) [1017636](#) [1-](#)  
[2306314-1](#) [1-2306314-2](#) [1302440201](#) [2-1971862-2](#) [H4CMC6DM](#) [1705996](#) [1705995](#) [1971858-2](#) [5-2306317-2](#) [1704926](#) [H4CFC4DIS](#)  
[H4CMC4DC](#) [H4CFC4DC](#) [H4CMC4DM](#) [H4CFC4DM](#) [H4CFC6DM](#) [H4CFM2DI](#) [H4CFM6DI](#) [H4CMC2DI](#) [H4CMC8DM](#) [H4CMM6DI](#)  
[H4CMC4DMS](#) [H4CMC4DIS](#) [H4PF](#) [H4PM](#) [PWJ-03BMMB-LL8001](#) [UTXCFA0AM](#) [UTXCFA4BMH](#) [UTXCMA0AM](#)