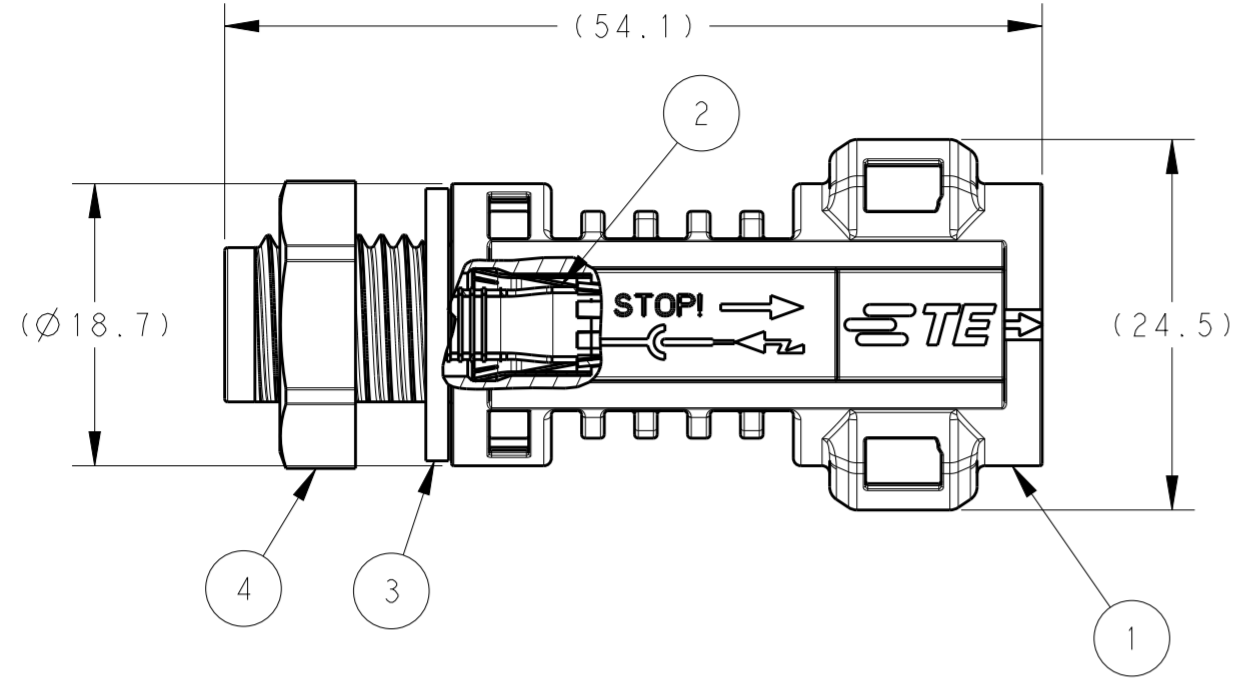
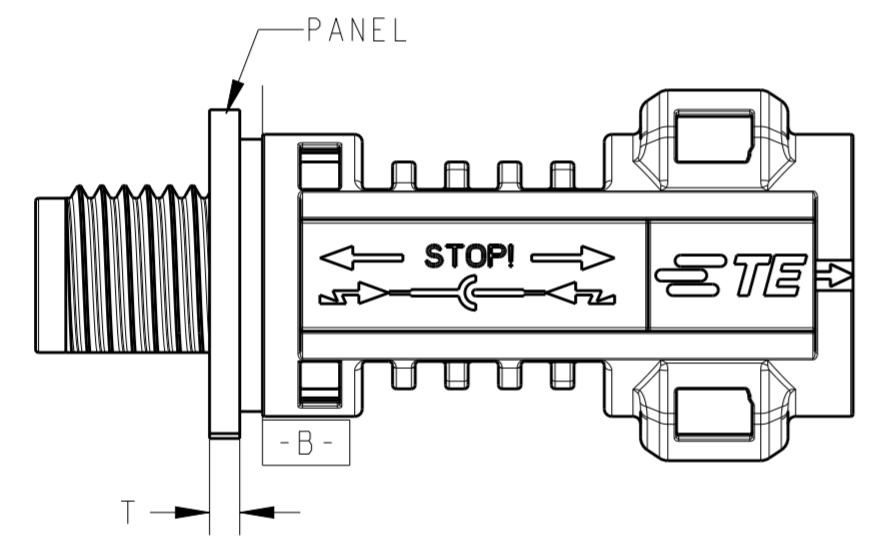


THIS DRAWING IS UNPUBLISHED. RELEASED FOR PUBLICATION 20  
 © COPYRIGHT 20 BY TE CONNECTIVITY ALL RIGHTS RESERVED.

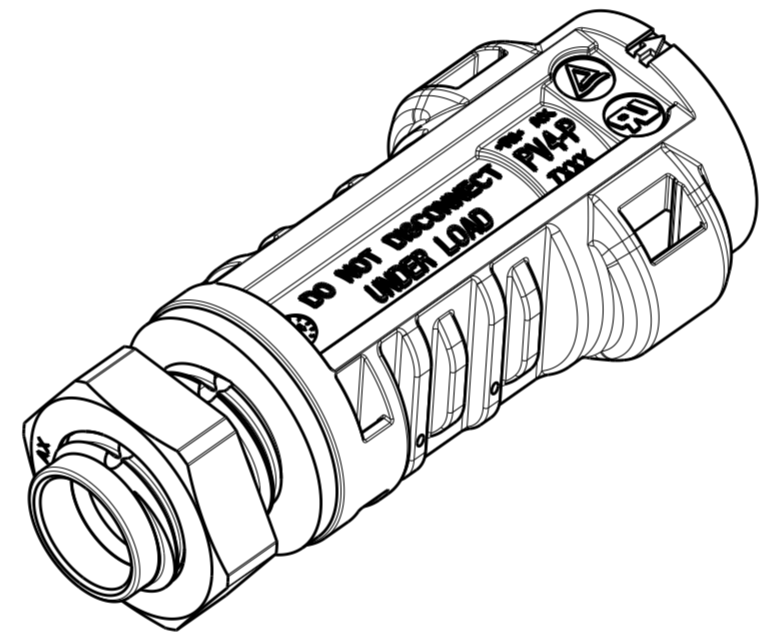
LOC		DIST		REVISIONS			
P	LTR	DESCRIPTION	DATE	DWN	APVD		
	A	NEW RELEASE	09OCT2014	LW	PY		
	B	ECR-18-001422	26MAR2018	SG	SM		



- ① FLAT SEAL ASSEMBLED ON PIN HOUSING
- ② NUT ENCLOSE LOOSELY
- ③ RECOMMENDED TIGHTENING TORQUE FOR NUT (ITEM NO.4) 1.0-1.2Nm WHEN ASSEMBLING AT PANEL WALL
- 4. USE ONLY CRIMPING TOOL OF TE CONNECTIVITY TO CRIMP CONTACT.

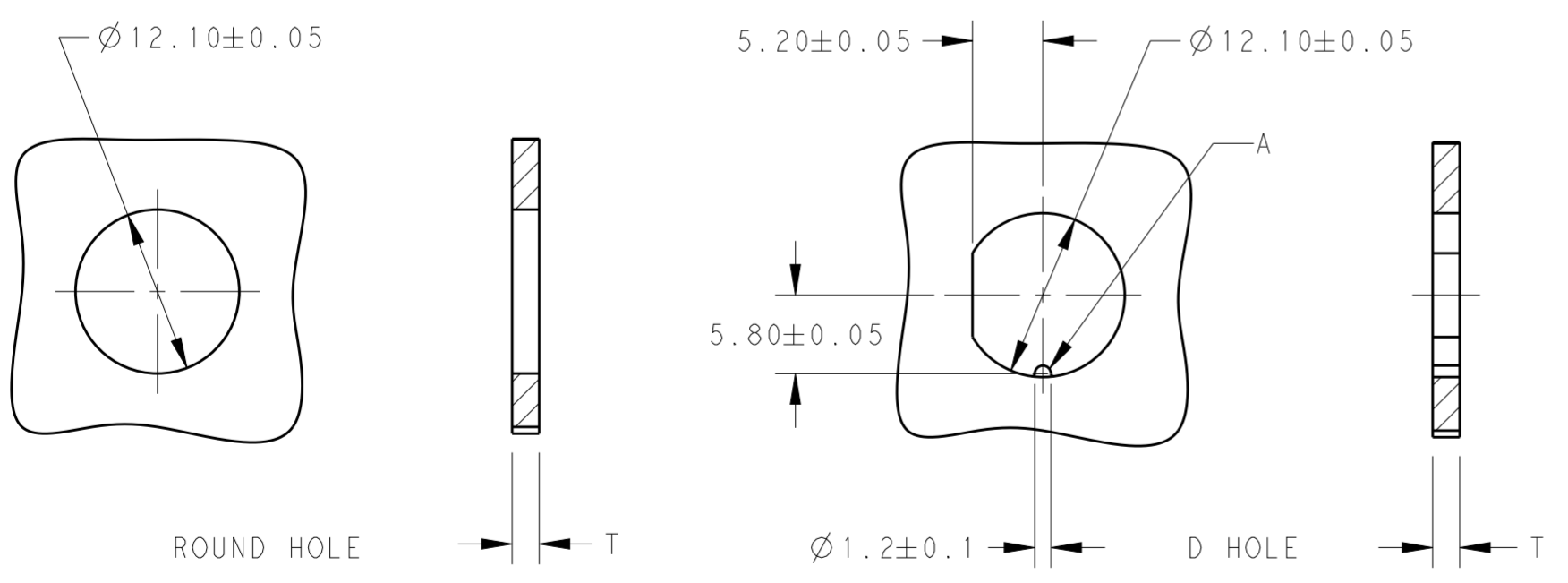


SCALE 2:1



SCALE 2:1

-1 AS SHOWN



RECOMMENDED MOUNTING HOLE  
 T(PANEL THICKNESS): 2-6mm  
 FEATURE A DETERMINED BY CUSTOMER

QUANTITY	DESCRIPTION	ITEM
100	PACKAGING	
2270039-2	ORDER-NO.	
1	NUT M12x1.5, PC, BALCK	② 4
1	FLAT SEAL, RUBBER, BLACK	① 3
1	METAL CLIP RING, STAINLESS STEEL	2
1	PIN HOUSING, PC, BLACK	1

THIS DRAWING IS A CONTROLLED DOCUMENT.

DWN LORRY WANG 09OCT2014	TE Connectivity
CHK DANIEL TAO 09OCT2014	
APVD PETER YIN 09OCT2014	
PRODUCT SPEC 108-106122	
APPLICATION SPEC 114-106122	NAME PIN CONNECTOR KITS PV4 PANEL MOUNTED CONNECTOR
MATERIAL	SIZE CAGE CODE DRAWING NO RESTRICTED TO
	A200779 C-2270039
CUSTOMER DRAWING	SCALE 2:1 SHEET 1 OF 1 REV B

## X-ON Electronics

Largest Supplier of Electrical and Electronic Components

*Click to view similar products for [Solar Connectors / Photovoltaic Connectors](#) category:*

*Click to view products by [TE Connectivity](#) manufacturer:*

Other Similar products are found below :

[1740699-7](#) [1971861-4](#) [1971131-4](#) [1971858-3](#) [1971861-3](#) [PV-090508-M10](#) [PV-CM-S 2 5-6 \(-\)](#) [2270184-3](#) [2270154-2](#) [2270226-4](#) [PV-090508-M06-N](#) [1987558-2](#) [PV-090506-F03](#) [UTXPM](#) [UTXPF](#) [UTXCMB6AM](#) [1627092](#) [1017635](#) [1017636](#) [1-2306314-1](#) [1-2306314-2](#) [1302440201](#) [2-1971862-2](#) [H4CMC6DM](#) [1705996](#) [1705995](#) [1971858-2](#) [5-2306317-2](#) [1704926](#) [H4CFC4DIS](#) [H4CMC4DC](#) [H4CFC4DC](#) [H4CMC4DM](#) [H4CFC4DM](#) [H4CFC6DM](#) [H4CFM2DI](#) [H4CFM6DI](#) [H4CMC2DI](#) [H4CMC8DM](#) [H4CMM6DI](#) [H4CMC4DMS](#) [H4CMC4DIS](#) [H4PF](#) [H4PM](#) [HGLUI](#) [PWJ-03BMMB-LL8001](#) [UTXCFA0AM](#) [UTXCFA4BMH](#) [UTXCMA0AM](#) [UTXCMA4AM](#)