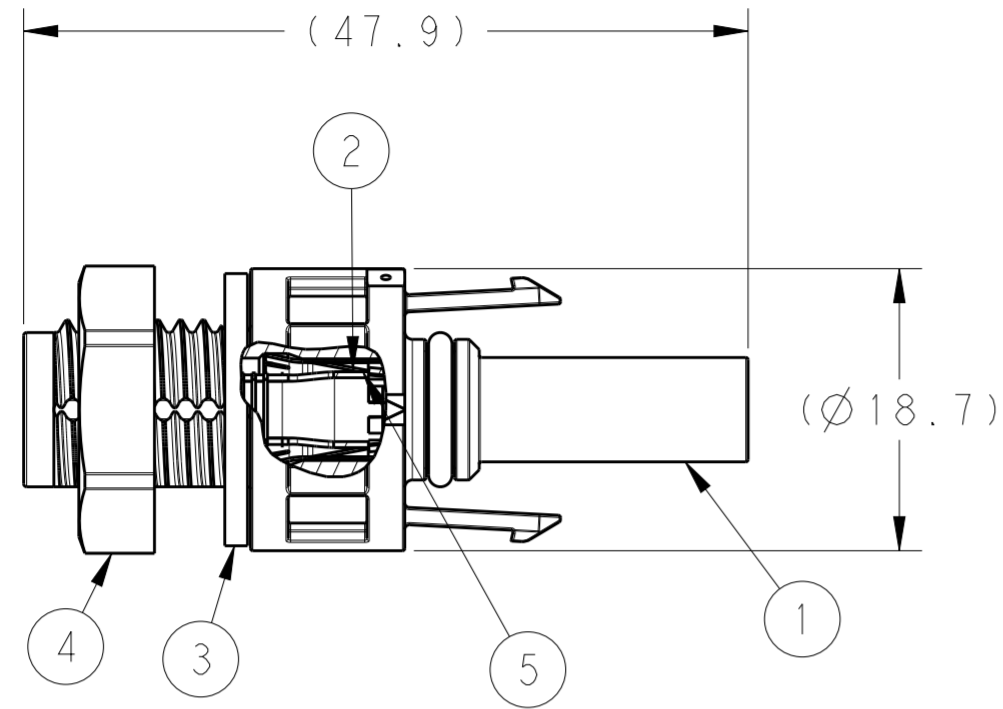
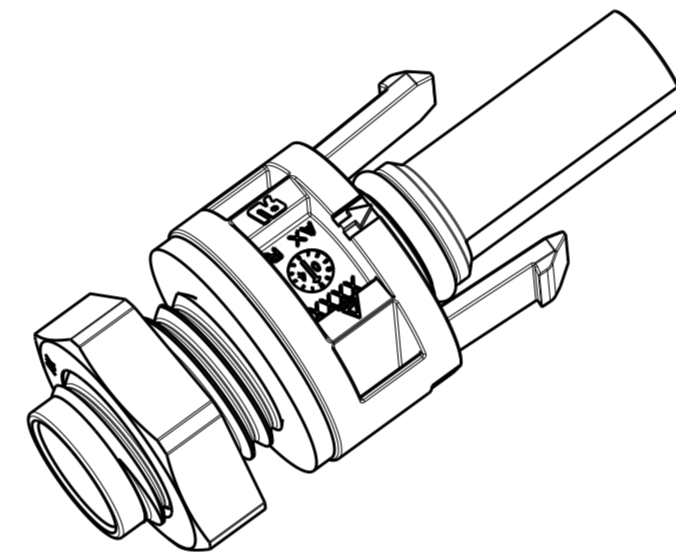
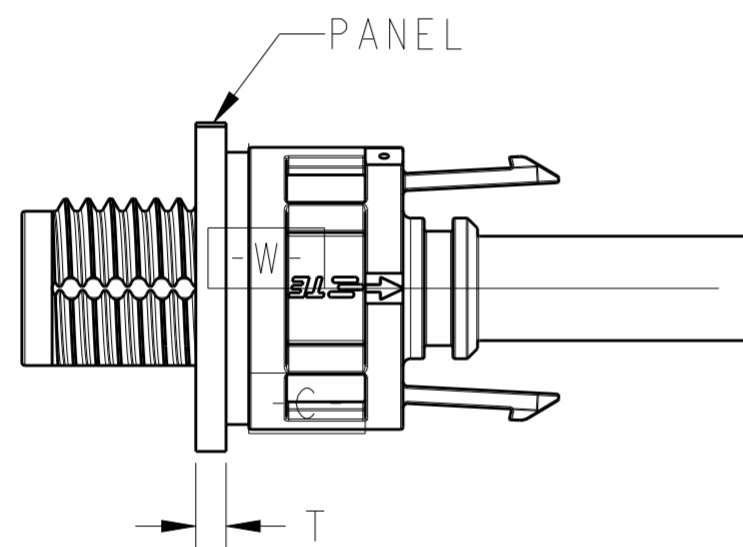


THIS DRAWING IS UNPUBLISHED. RELEASED FOR PUBLICATION 20
 © COPYRIGHT 20 TE CONNECTIVITY ALL RIGHTS RESERVED.

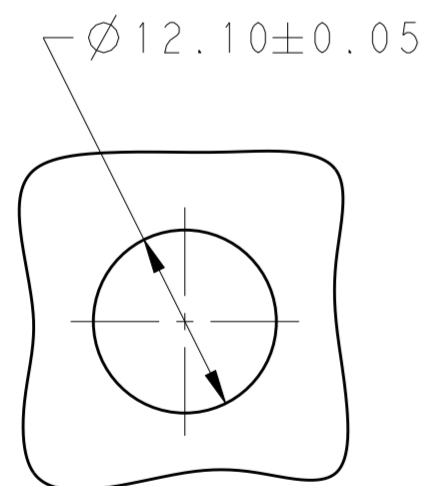
LOC		DIST		REVISIONS			
P	LTR	DESCRIPTION	DATE	DWN	APVD		
	A	NEW RELEASE	09OCT2014	LW	PY		
	B	ECR-18-001422	26MAR2018	SG	SM		



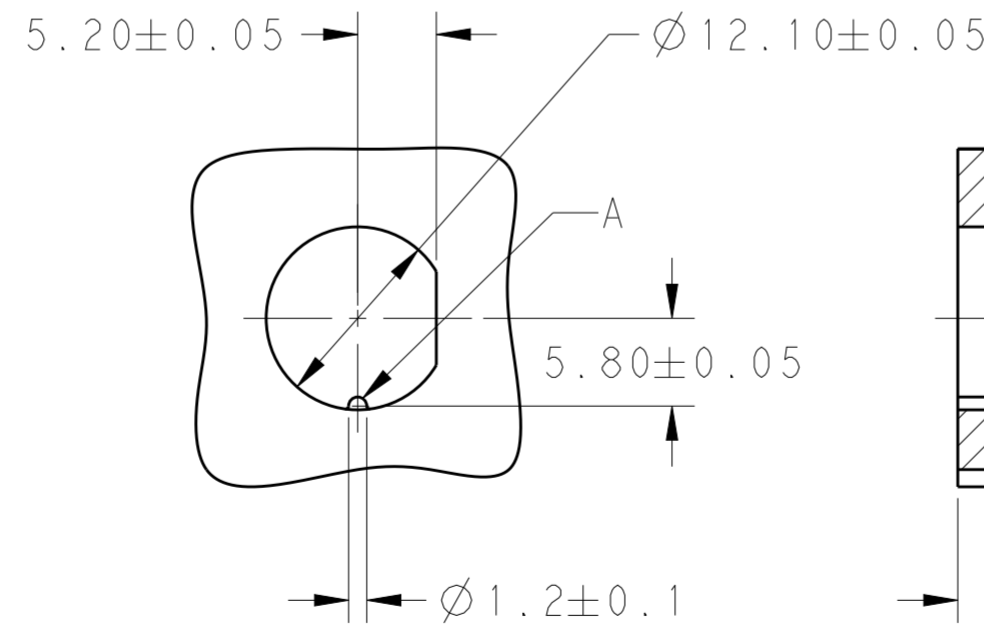
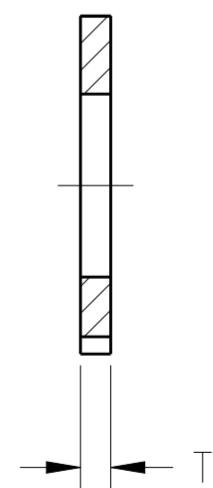
- ① FLAT SEAL AND O-RING ASSEMBLED ON PIN HOUSING
- ② NUT ENCLOSE LOOSELY
- ③ RECOMMENDED TIGHTENING TORQUE FOR NUT (ITEM NO.4) 1.0-1.2Nm WHEN ASSEMBLING AT PANEL WALL
- 4. USE ONLY CRIMPING TOOL OF TE CONNECTIVITY TO CRIMP CONTACT.



SCALE 2:1



ROUND HOLE



D HOLE

RECOMMENDED MOUNTING HOLE
 T(PANEL THICKNESS): 2-6mm
 FEATURE A DETERMINED BY CUSTOMER

QUANTITY	DESCRIPTION	ITEM
100	PACKAGING	
2270040-2	ORDER-NO.	
1	O-RING, RUBBER, BLUE	5
1	NUT M12x1.5, PC, BLACK	4
1	FLAT SEAL, RUBBER, BLACK	3
1	METAL CLIP RING, STAINLESS STEEL	2
1	SOCKET HOUSING, PC, BLACK	1

THIS DRAWING IS A CONTROLLED DOCUMENT.

DIMENSIONS: mm	TOLERANCES UNLESS OTHERWISE SPECIFIED:	DWN LORRY WANG 09OCT2014	TE Connectivity
		CHK DANIEL TAO 09OCT2014	
		APVD PETER YIN 09OCT2014	
		NAME	
		PRODUCT SPEC	SOCKET CONNECTOR KITS
		APPLICATION SPEC	PV4 PANEL MOUNTED CONNECTOR
MATERIAL		SIZE	RESTRICTED TO
		114-106122	A200779 C-2270040
		WEIGHT	SCALE 2:1 SHEET 1 OF 1 REV B
		CUSTOMER DRAWING	

X-ON Electronics

Largest Supplier of Electrical and Electronic Components

Click to view similar products for [Solar Connectors / Photovoltaic Connectors](#) category:

Click to view products by [TE Connectivity](#) manufacturer:

Other Similar products are found below :

[1740699-7](#) [1971861-4](#) [1971131-4](#) [1971858-3](#) [1971861-3](#) [PV-090508-F03](#) [PV-090508-M10](#) [PV-090510-F03](#) [PV-CM-S 2 5-6 \(-\)](#) [2270184-3](#)
[2270154-2](#) [2270226-4](#) [PV-090508-M06-N](#) [1987558-2](#) [PV-090506-F03](#) [UTXPM](#) [UTXPF](#) [UTXCMB6AM](#) [1627092](#) [1017635](#) [1017636](#) [1-](#)
[2306314-1](#) [1-2306314-2](#) [1302440201](#) [2-1971862-2](#) [H4CMC6DM](#) [1705996](#) [1705995](#) [1971858-2](#) [5-2306317-2](#) [1704926](#) [H4CFC4DIS](#)
[H4CMC4DC](#) [H4CFC4DC](#) [H4CMC4DM](#) [H4CFC4DM](#) [H4CFC6DM](#) [H4CFM2DI](#) [H4CFM6DI](#) [H4CMC2DI](#) [H4CMC8DM](#) [H4CMM6DI](#)
[H4CMC4DMS](#) [H4CMC4DIS](#) [H4PF](#) [H4PM](#) [PWJ-03BMMB-LL8001](#) [UTXCFA0AM](#) [UTXCFA4BMH](#) [UTXCMA0AM](#)