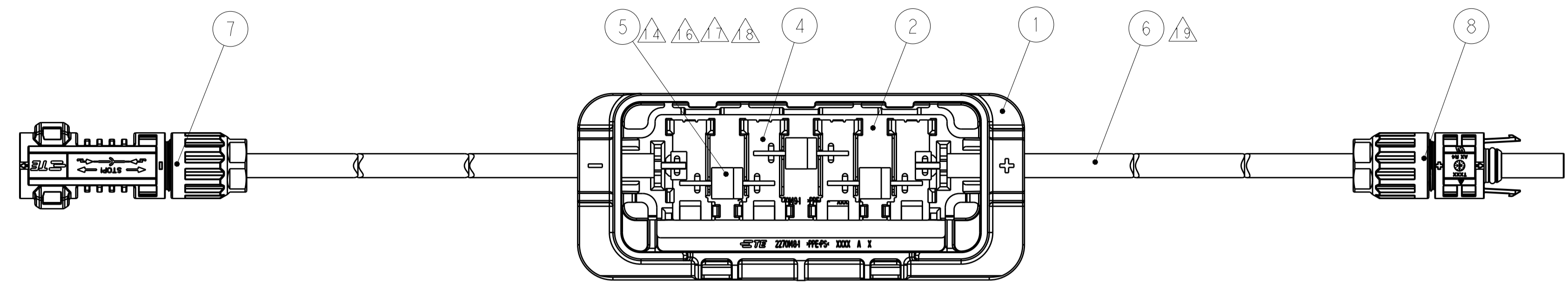
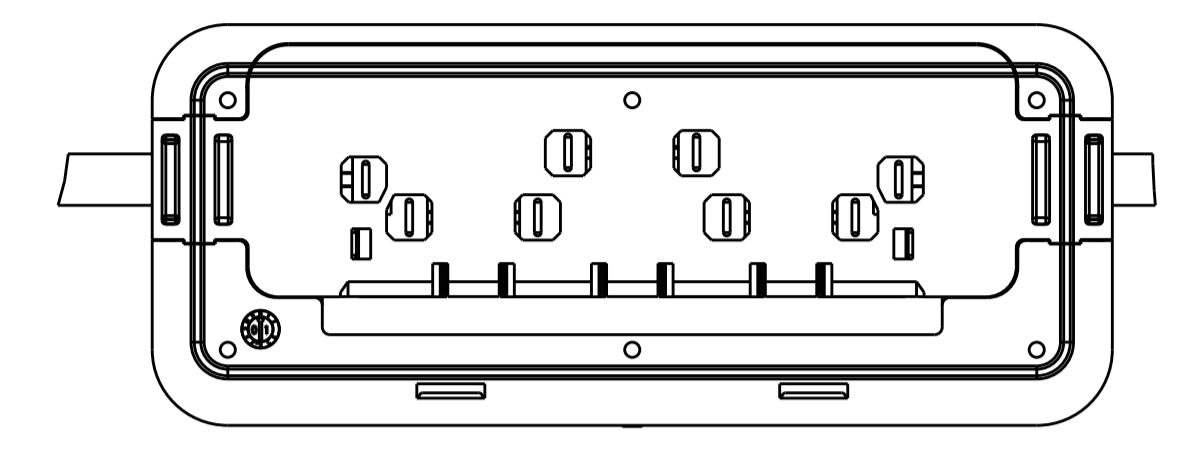


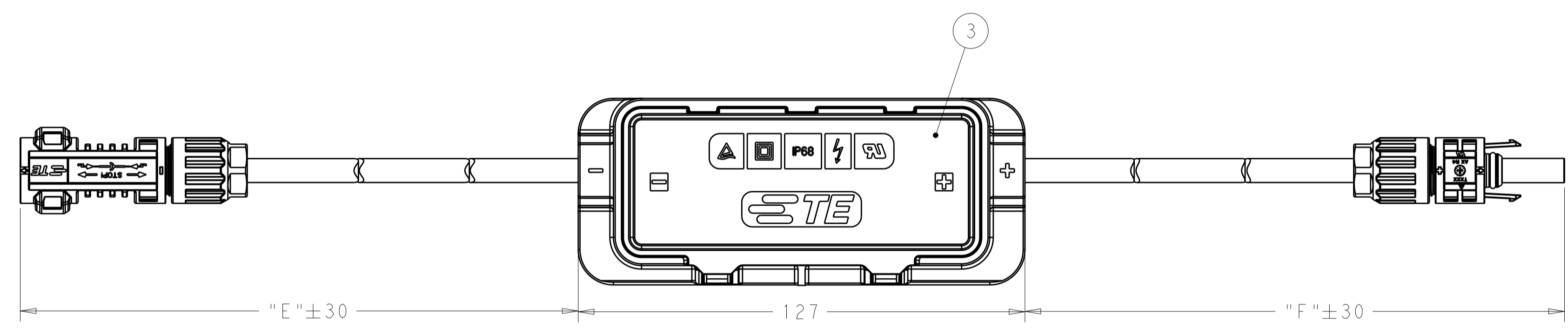
| REVISIONS | | | | |
|-----------|---------------|---------------------------------|-----------|----------|
| P. | LTN | DESCRIPTION | DATE | OWN APVD |
| A2 | ECR-16-011501 | | 01SEP2016 | ZY SM |
| A3 | | UPDATE THE DESCRIPTION OF CABLE | 10MAY2018 | AZ OL |
| A4 | | ADDED PART -4 | 17JUL2018 | MZ OL |
| A5 | | ADDED PART -5 | 08AUG2018 | GCM MZ |



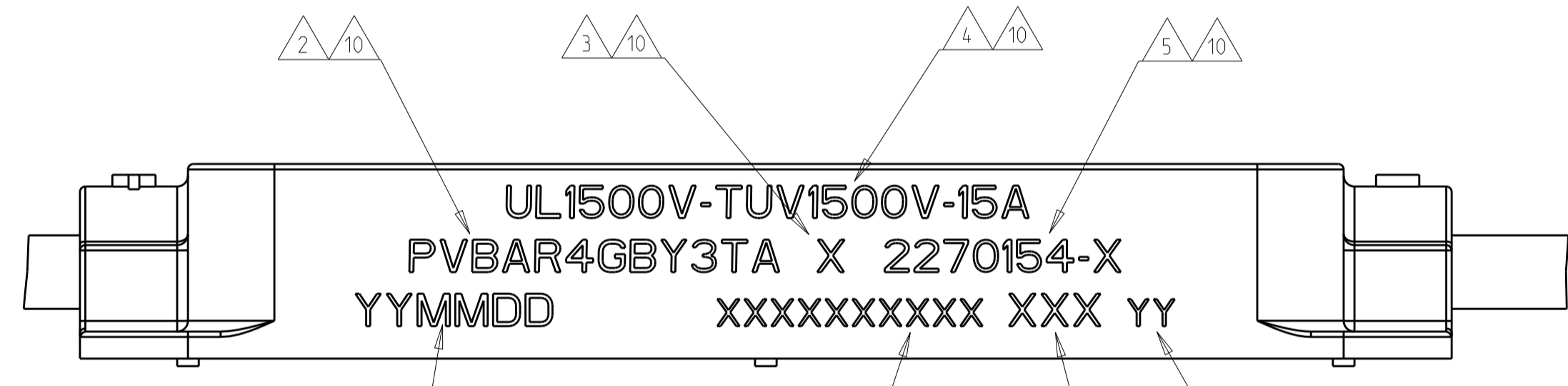
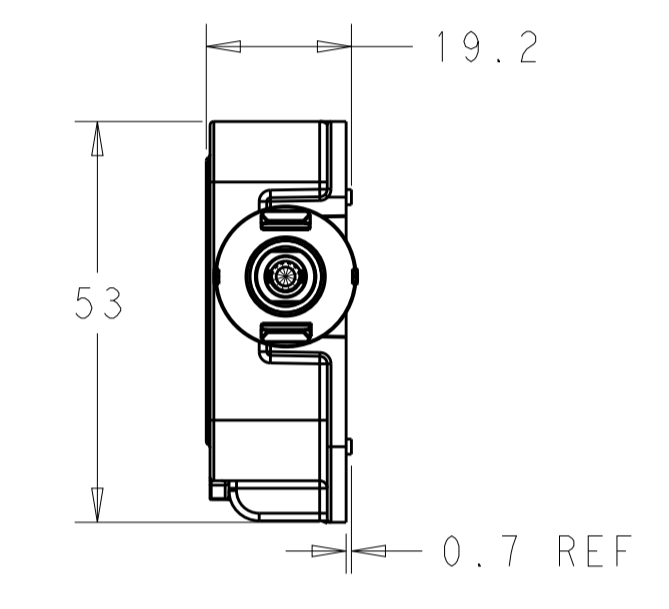
ASSEMBLY SHOWN WITHOUT COVER FOR REFERENCES ONLY



REAR VIEW



ASSEMBLY SHOWN WITH COVER FOR REFERENCES ONLY



SCALE 2:1

ASSEMBLY SHOWN WITHOUT COVER FOR REFERENCES ONLY

- NOTES:
- △ COVER NOT ASSEMBLED WITH LOWER PART. ENCLOSE LOOSELY
 - △ MODEL CODE PER TE SPEC 404-74000-1. ADDED WITH LASER PRINTER
 - △ MARK FOR DIODE TYPE, ADDED WITH LASER PRINTER
E STANDS FOR SL1515E
B STANDS FOR SL1515B
F STANDS FOR SL1515F
 - △ RATED VOLTAGE AND CURRENT, ADDED WITH LASER PRINTER
 - △ PART NUMBER, ADDED WITH LASER PRINTER
 - △ PRODUCTION DATE (YYMMDD), ADDED WITH LASER PRINTER
 - △ CONSECUTIVE SERIAL NUMBER, ADDED WITH LASER PRINTER
 - △ MANUFACTURING LOCATION CODE PER TE SPEC TEC-115-24. ADDED WITH LASER PRINTER
 - △ TEST EQUIPMENT NUMBER, ADDED WITH LASER PRINTER
 - △ LETTERS AND CHARACTERS PER DIN 1451. CHAPTER 3 - 1C 3
 - △ LETTERS AND CHARACTERS PER DIN 1451. CHAPTER 3 - 1C 2.5
 - △ IPX8 TEST PER EN 60529
 - △ CABLE AND DIODE WELDED TO CONTACT RAILS PER SPEC 129-18005
 - △ DIODE SL1515E ACCORDING TO SPEC 108-106133
 - △ STANDARD PACKAGING QUANTITY: 75 PCS/BOX
 - △ DIODE SL1515B ACCORDING TO SPEC 108-94244
 - △ DIODE SL1515F ACCORDING TO SPEC 108-137104
 - △ ONLY DIODES OF THE SAME TYPE RESP. DESIGNATION ARE PERMITTED FOR USE IN ONE AND THE SAME SOLAR BOX. ONLY SOLARLOK BOXES WITH THE SAME DIODES ARE PERMITTED TO PACK IN ONE AND THE SAME CORRUGATED SHIPPING BOX
 - △ SOLAR CABLE 4MM²/12AWG WITH UL4703 AND EN50618 APPROVAL, PN 2270215-1 USED

ASSEMBLY SHOWN WITHOUT COVER FOR REFERENCES ONLY

P/Ns -1 TO -5 AS SHOWN

| QTY | 2600 | 1200 | 1000 | 900 | CABLE LENGTH "F" | | | |
|-----|------|------|------|-----|--------------------------------------|----------------|--|----------|
| 750 | 1000 | 1200 | 1000 | 900 | CABLE LENGTH "E" | | | |
| 1 | 1 | 1 | 1 | 1 | PPE /SILICONE/COPPER/STAINLESS STEEL | BLACK | PV4-S FEMALE, PLUS CODED | 8 |
| 1 | 1 | 1 | 1 | 1 | PPE /SILICONE/COPPER/STAINLESS STEEL | BLACK | PV4-S MALE, MINUS CODED | 7 |
| AR | AR | AR | AR | AR | STRANDED TINNED COPPER/XLPO | BLACK | SOLAR CABLE 4 MM ² /12AWG, UL 4703 1000V OR 2000V/EN50618 1500V | 6 |
| 3 | 3 | 3 | 3 | 3 | SL1515E | BLACK | BYPASS DIODE | 5 |
| 1 | 1 | 1 | 1 | 1 | COPPER ALLOY | TIN PLATING | CONTACT RAIL | 4 |
| 1 | 1 | 1 | 1 | 1 | ENGINEERING PLASTIC | BLACK | COVER | 3 |
| 1 | 1 | 1 | 1 | 1 | ENGINEERING PLASTIC | BLACK | BASE | 2 |
| 1 | 1 | 1 | 1 | 1 | ENGINEERING PLASTIC | BLACK | HOUSING | 1 |
| -5 | -4 | -3 | -2 | -1 | MATERIAL | SURFACE&COLOUR | DESCRIPTION | ITEM No. |

PART LIST

| | | | |
|--|--|------------------------------|---|
| THIS DRAWING IS A CONTROLLED DOCUMENT. | | OWN: ZHONG YUAN 05JAN2016 | TE Connectivity |
| DIMENSIONS: mm | | CHK: ALEX ZHANG 05JAN2016 | |
| TOLERANCES UNLESS OTHERWISE SPECIFIED: | | APVD: SHI MING 05JAN2016 | NAME: ASSY, SOLARLOK JUNCTION BOX PVBAR4GBY3TA |
| 0 PLC ±2 | | PRODUCT SPEC: 108-137167 | |
| 1 PLC ±2.0 | | APPLICATION SPEC: 114-137167 | SIZE: A1 |
| 2 PLC ± | | WEIGHT: - | SCALE: 1:2 |
| 3 PLC ± | | CUSTOMER DRAWING | SHEET 1 OF 1 |
| 4 PLC ± | | | REV: A5 |
| ANGLES ± | | | |
| FINISH | | | |

X-ON Electronics

Largest Supplier of Electrical and Electronic Components

Click to view similar products for [TE Connectivity](#) manufacturer:

Other Similar products are found below :

[D38999/24FJ4AN](#) [570416-000](#) [CLTEQ-M81CE-SSRELAY-4-20V](#) [4-1195131-0](#) [650069-000](#) [SMD100-2](#) [358838-000](#) [CB-1022B-78](#)
[RM707012](#) [RP410012](#) [MMS42](#) [1-640426-8](#) [2EDL4CM](#) [DTS20W19-11PD-3028-LC](#) [RM202615](#) [NC6-P104-06](#) [MSPS103B](#) [DTS26F21-](#)
[41HE-LC](#) [DTS26F21-41AE](#) [DTS26F21-41PE-LC](#) [DTS26F21-11SE-3028-LC](#) [30DCB6](#) [1932144-1](#) [293545-4](#) [LVR125S](#) [MS27466T25F4PB](#)
[CKB-38-78010](#) [TR04AI-TINELLOCKRING](#) [1206SFF150F/63-2](#) [D38999/20JB35HA](#) [TE1500A2R2J](#) [D38999/20WC8BB](#) [DTS24F19-11SC-](#)
[3028-LC](#) [D38999/24WG11HA](#) [D38999/24WG11HN](#) [MS27467T21F11H](#) [DJT16E21-11HA](#) [MS27467T21F35J](#) [MS27467T21F11J](#)
[MS27467T21F16H-LC](#) [MS27467T21F35H](#) [MS27467T21F41H-LC](#) [1206SFH150F/24-2](#) [RP330024](#) [DJT16E21-11PA-LC](#) [DJT16E21-11HA-](#)
[LC](#) [DJT16E21-11AA](#) [MS27467T21B11JA](#) [DJT16E21-11JA](#) [MS27467T21B11JA-LC](#)