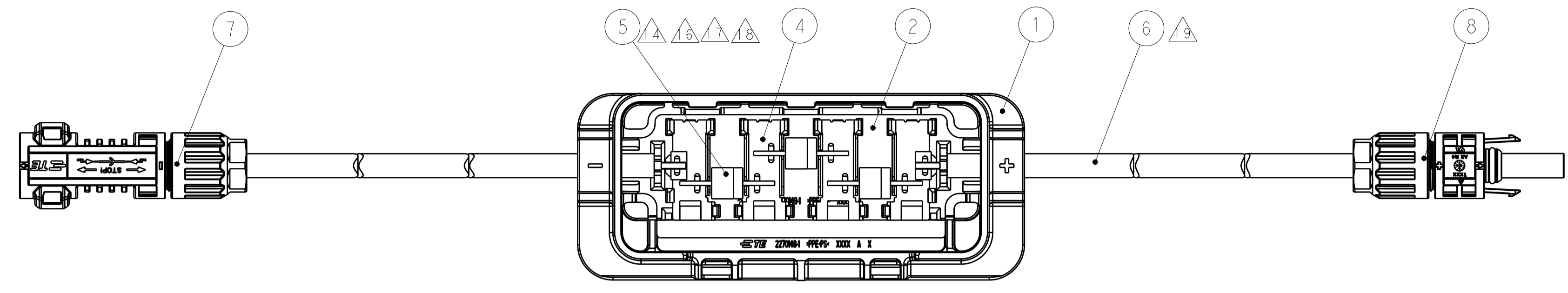
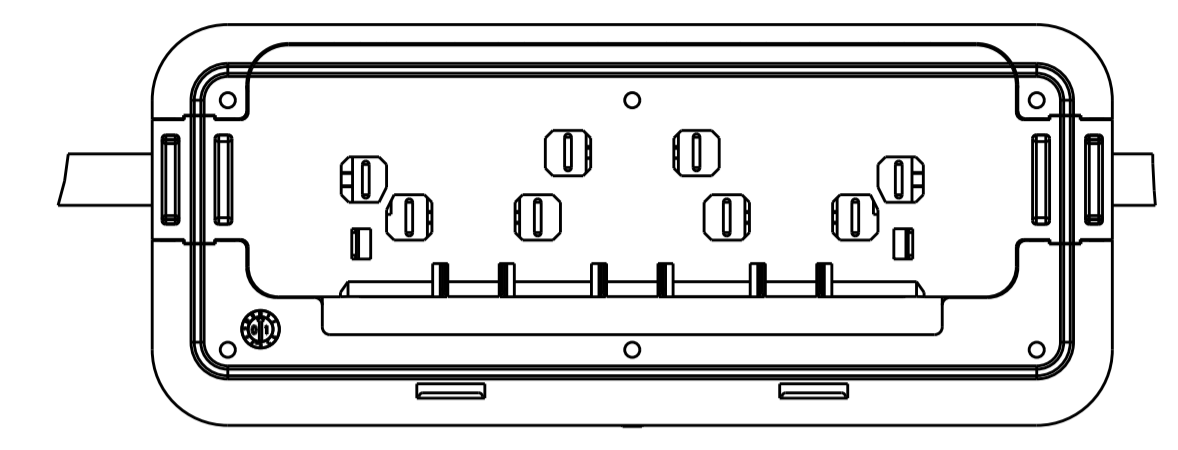


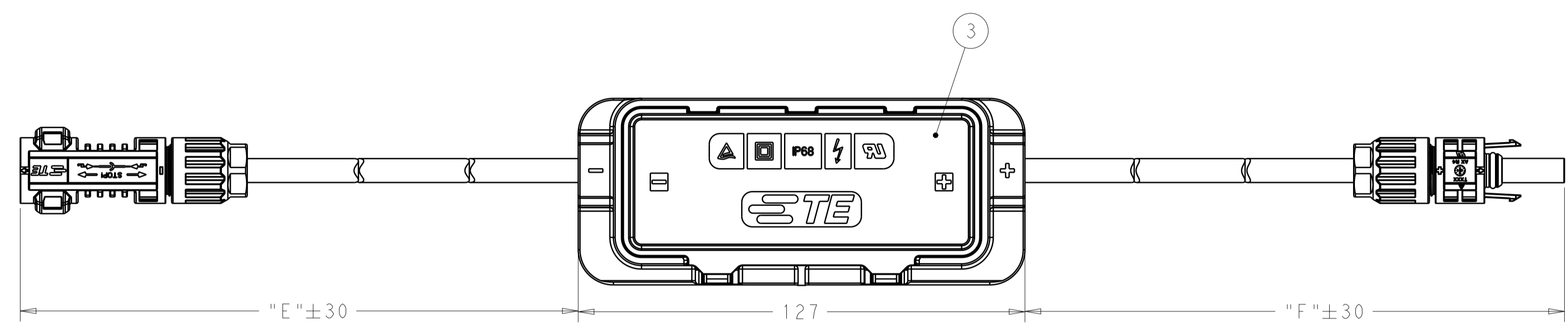
REVISIONS				
P.	LTN	DESCRIPTION	DATE	OWN APVD
A2		ECR-16-011501	01SEP2016	ZY SM
A3		UPDATE THE DESCRIPTION OF CABLE	10MAY2018	AZ OL
A4		ADDED PART -4	17JUL2018	MZ OL
A5		ADDED PART -5	08AUG2018	GCM MZ



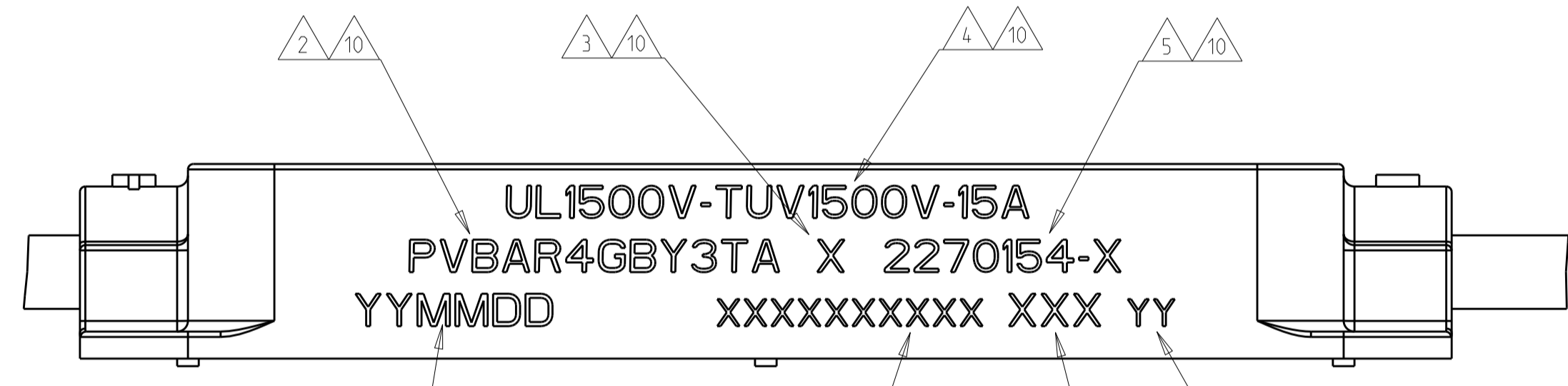
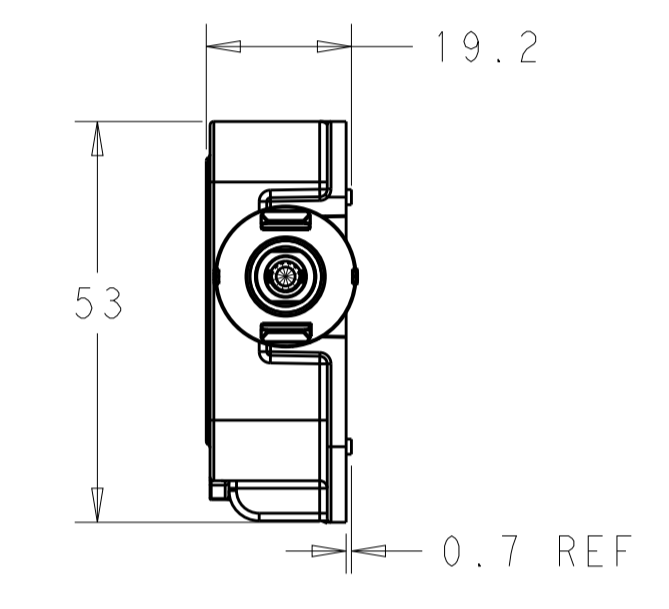
ASSEMBLY SHOWN WITHOUT COVER FOR REFERENCES ONLY



REAR VIEW



ASSEMBLY SHOWN WITH COVER FOR REFERENCES ONLY



SCALE 2:1

ASSEMBLY SHOWN WITHOUT COVER FOR REFERENCES ONLY

P/Ns -1 TO -5 AS SHOWN

NOTES:

- △ COVER NOT ASSEMBLED WITH LOWER PART. ENCLOSE LOOSELY
- △ MODEL CODE PER TE SPEC 404-74000-1. ADDED WITH LASER PRINTER
- △ MARK FOR DIODE TYPE, ADDED WITH LASER PRINTER
E STANDS FOR SL1515E
B STANDS FOR SL1515B
F STANDS FOR SL1515F
- △ RATED VOLTAGE AND CURRENT, ADDED WITH LASER PRINTER
- △ PART NUMBER, ADDED WITH LASER PRINTER
- △ PRODUCTION DATE (YYMMDD), ADDED WITH LASER PRINTER
- △ CONSECUTIVE SERIAL NUMBER, ADDED WITH LASER PRINTER
- △ MANUFACTURING LOCATION CODE PER TE SPEC TEC-115-24, ADDED WITH LASER PRINTER
- △ TEST EQUIPMENT NUMBER, ADDED WITH LASER PRINTER
- △ LETTERS AND CHARACTERS PER DIN 1451. CHAPTER 3 - 1C 3
- △ LETTERS AND CHARACTERS PER DIN 1451. CHAPTER 3 - 1C 2.5
- △ IPX8 TEST PER EN 60529
- △ CABLE AND DIODE WELDED TO CONTACT RAILS PER SPEC 129-18005
- △ DIODE SL1515E ACCORDING TO SPEC 108-106133
- △ STANDARD PACKAGING QUANTITY: 75 PCS/BOX
- △ DIODE SL1515B ACCORDING TO SPEC 108-94244
- △ DIODE SL1515F ACCORDING TO SPEC 108-137104
- △ ONLY DIODES OF THE SAME TYPE RESP. DESIGNATION ARE PERMITTED FOR USE IN ONE AND THE SAME SOLAR BOX. ONLY SOLARLOK BOXES WITH THE SAME DIODES ARE PERMITTED TO PACK IN ONE AND THE SAME CORRUGATED SHIPPING BOX
- △ SOLAR CABLE 4MM²/12AWG WITH UL4703 AND EN50618 APPROVAL, PN 2270215-1 USED

QTY	2600	1200	1000	900	CABLE LENGTH "F"			
750	2600	1200	1000	900	CABLE LENGTH "E"			
1	1	1	1	1	PPE /SILICONE/COPPER/STAINLESS STEEL	BLACK	PV4-S FEMALE, PLUS CODED	8
1	1	1	1	1	PPE /SILICONE/COPPER/STAINLESS STEEL	BLACK	PV4-S MALE, MINUS CODED	7
AR	AR	AR	AR	AR	STRANDED TINNED COPPER/XLPO	BLACK	SOLAR CABLE 4 MM ² /12AWG, UL 4703 1000V OR 2000V/EN50618 1500V	6
3	3	3	3	3	SL1515E	BLACK	BYPASS DIODE	5
1	1	1	1	1	COPPER ALLOY	TIN PLATING	CONTACT RAIL	4
1	1	1	1	1	ENGINEERING PLASTIC	BLACK	COVER	3
1	1	1	1	1	ENGINEERING PLASTIC	BLACK	BASE	2
1	1	1	1	1	ENGINEERING PLASTIC	BLACK	HOUSING	1
-5	-4	-3	-2	-1	MATERIAL	SURFACE&COLOUR	DESCRIPTION	ITEM No.

PART LIST

THIS DRAWING IS A CONTROLLED DOCUMENT.		OWN: ZHONG YUAN 05JAN2016	TE Connectivity
DIMENSIONS: mm		CHK: ALEX ZHANG 05JAN2016	
TOLERANCES UNLESS OTHERWISE SPECIFIED:		APVD: SHI MING 05JAN2016	NAME: ASSY, SOLARLOK JUNCTION BOX PVBAR4GBY3TA
0 PLC ±2		PRODUCT SPEC	SIZE: A1
1 PLC ±2.0		APPLICATION SPEC	CAGE CODE: -
2 PLC ±		108-137167	DRAWING NO: C=2270154
3 PLC ±		114-137167	RESTRICTED TO: -
4 PLC ±		WEIGHT: -	SCALE: 1:2
ANGLES ±		CUSTOMER DRAWING	SHEET 1 OF 1
FINISH: -			REV: A5

X-ON Electronics

Largest Supplier of Electrical and Electronic Components

Click to view similar products for [TE Connectivity](#) manufacturer:

Other Similar products are found below :

[D38999/24FJ4AN](#) [570416-000](#) [CLTEQ-M81CE-SSRELAY-4-20V](#) [4-1195131-0](#) [650069-000](#) [SMD100-2](#) [358838-000](#) [CB-1022B-78](#)
[RM707012](#) [RP410012](#) [MMS42](#) [1-640426-8](#) [2EDL4CM](#) [DTS20W19-11PD-3028-LC](#) [RM202615](#) [NC6-P104-06](#) [MSPS103B](#) [DTS26F21-](#)
[41HE-LC](#) [DTS26F21-41AE](#) [DTS26F21-41PE-LC](#) [DTS26F21-11SE-3028-LC](#) [30DCB6](#) [1932144-1](#) [293545-4](#) [LVR125S](#) [MS27466T25F4PB](#)
[CKB-38-78010](#) [TR04AI-TINELLOCKRING](#) [1206SFF150F/63-2](#) [D38999/20JB35HA](#) [TE1500A2R2J](#) [D38999/20WC8BB](#) [DTS24F19-11SC-](#)
[3028-LC](#) [D38999/24WG11HA](#) [D38999/24WG11HN](#) [MS27467T21F11H](#) [DJT16E21-11HA](#) [MS27467T21F35J](#) [MS27467T21F11J](#)
[MS27467T21F16H-LC](#) [MS27467T21F35H](#) [MS27467T21F41H-LC](#) [1206SFH150F/24-2](#) [RP330024](#) [DJT16E21-11PA-LC](#) [DJT16E21-11HA-](#)
[LC](#) [DJT16E21-11AA](#) [MS27467T21B11JA](#) [DJT16E21-11JA](#) [MS27467T21B11JA-LC](#)