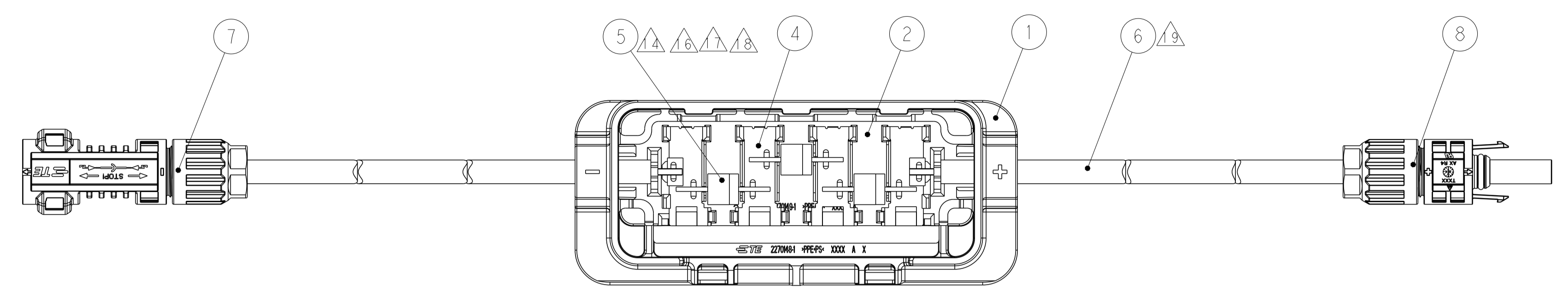
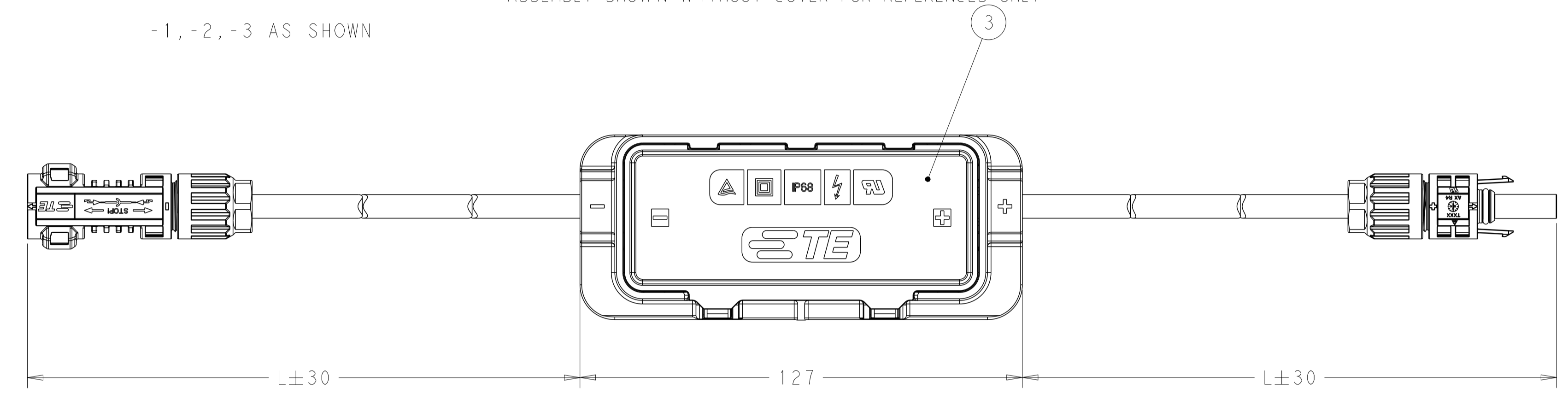


REVISIONS					
P	LTN	DESCRIPTION	DATE	DWN	APVD
A1	ECR-16-010309		19JULY2016	ZY	SM
A2	ECR-16-011501		01SEP2016	ZY	SM
A3	UPDATE THE DESCRIPTION OF CABLE		10MAY2018	AZ	OL
A4	ADDED PNs 1--1, 1--2 AND 1--3		12NOV2019	MZ	PO

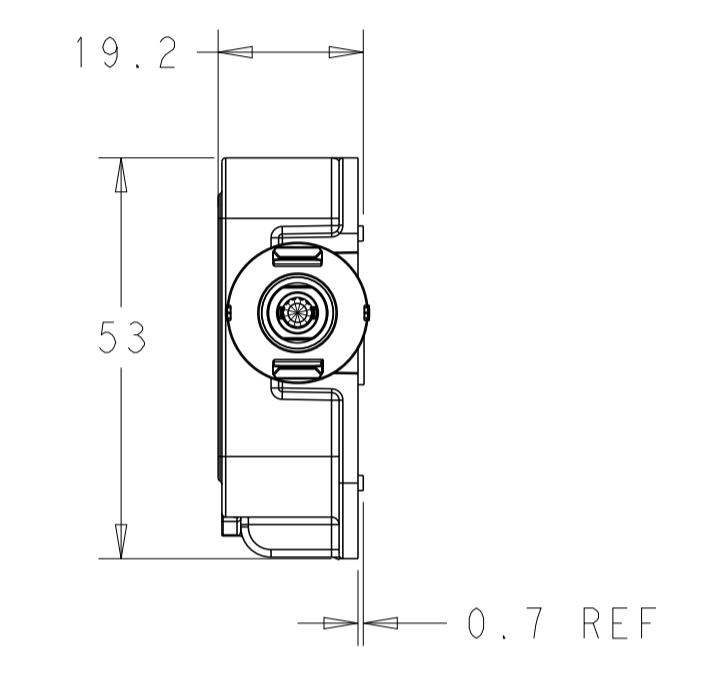


ASSEMBLY SHOWN WITHOUT COVER FOR REFERENCES ONLY

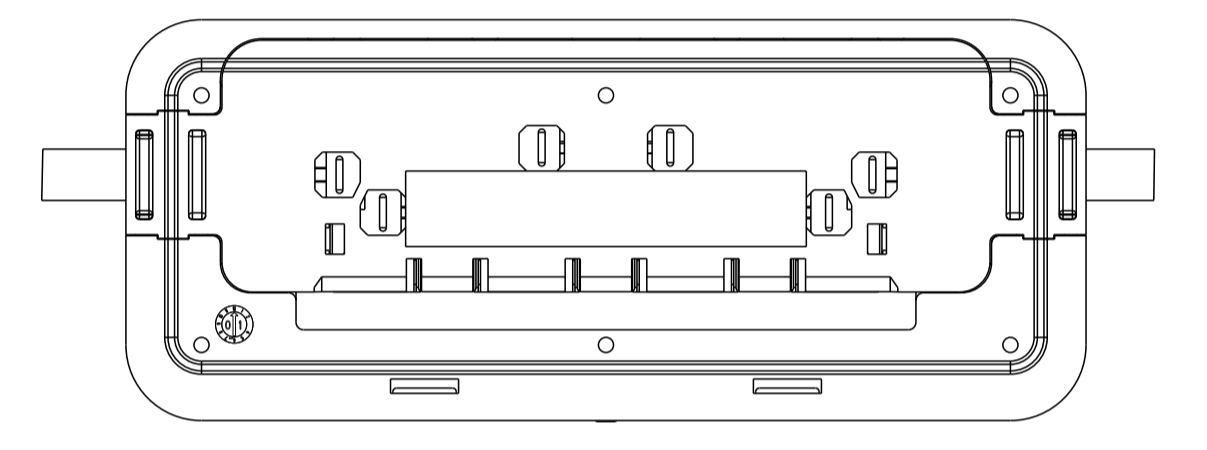
-1, -2, -3 AS SHOWN



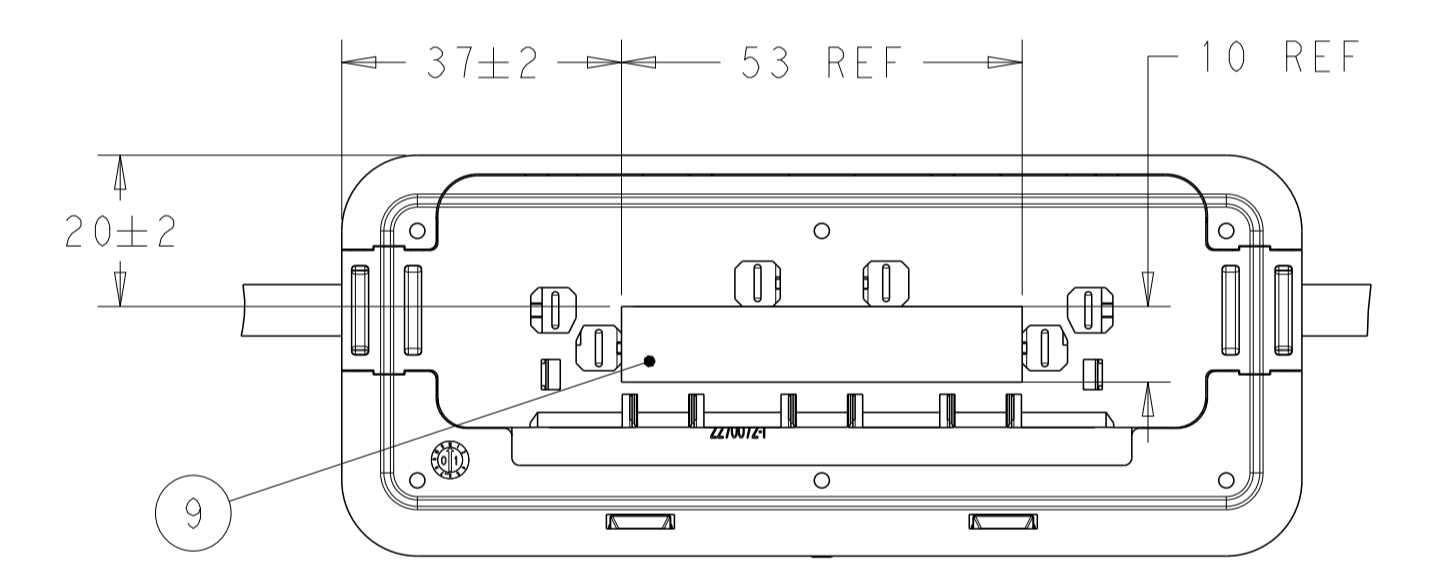
ASSEMBLY SHOWN WITH COVER FOR REFERENCES ONLY



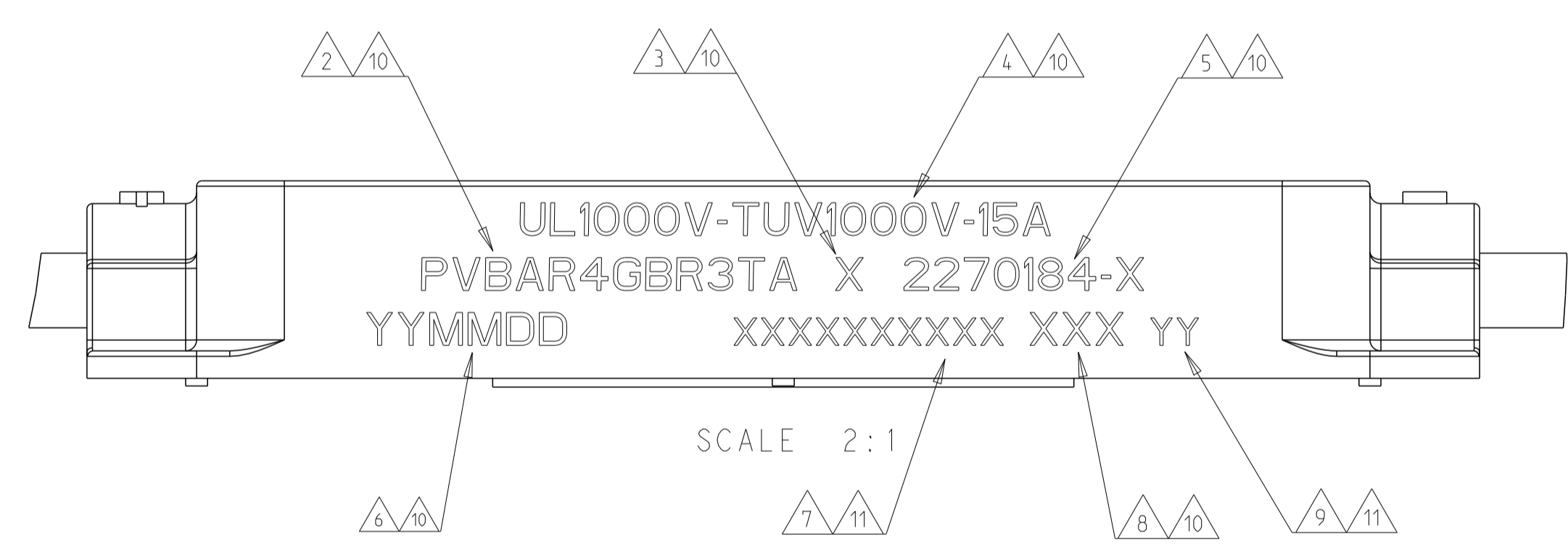
P/Ns 2270184-1, -2 AND -3 AS SHOWN



REAR VIEWS



P/Ns 1-2270184-1, 1--2 AND 1--3 AS SHOWN



SCALE 2:1

- NOTES:
- 1 COVER NOT ASSEMBLED WITH LOWER PART, ENCLOSE LOOSELY
 - 2 MODEL CODE PER TE SPEC 404-74000-1, ADDED WITH LASER PRINTER
 - 3 MARK FOR DIODE TYPE, ADDED WITH LASER PRINTER
E STANDS FOR SL1515E
B STANDS FOR SL1515B
F STANDS FOR SL1515F
 - 4 RATED VOLTAGE AND CURRENT, ADDED WITH LASER PRINTER
 - 5 PART NUMBER, ADDED WITH LASER PRINTER.
 - 6 PRODUCTION DATE(YYMMDD), ADDED WITH LASER PRINTER.
 - 7 CONSECUTIVE SERIAL NUMBER, ADDED WITH LASER PRINTER.
 - 8 MANUFACTURING LOCATION CODE PER TE SPEC TEC-115-24, ADDED WITH LASER PRINTER
 - 9 TEST EQUIPMENT NUMBER, ADDED WITH LASER PRINTER
 - 10 LETTERS AND CHARACTERS PER DIN 1451. CHAPTER 3 - 1C 3
 - 11 LETTERS AND CHARACTERS PER DIN 1451. CHAPTER 3 - 1C 2.5
 - 12 IPX8 TEST PER EN 60529
 - 13 CABLE AND DIODE WELDED TO CONTACT RAILS PER SPEC 129-18005
 - 14 DIODE SL1515E TESTING PER SPEC 108-106133
 - 15 STANDARD PACKAGING QUANTITY: 75 PCS/BOX
 - 16 DIODE SL1515B ACCORDING TO SPEC 108-94244
 - 17 DIODE SL1515F ACCORDING TO SPEC 108-137104
 - 18 ONLY DIODES OF THE SAME TYPE RESP. DESIGNATION ARE PERMITTED FOR USE IN ONE AND THE SAME SOLAR BOX. ONLY SOLARLOK BOXES WITH THE SAME DIODES ARE PERMITTED TO PACK IN ONE AND THE SAME CORRUGATED SHIPPING BOX
 - 19 SOLAR CABLE CABLE 4MM²/12AWG WITH UL4703 AND EN50618 APPROVAL, PN 2270259-1 USED

L	1200	1000	900	1200	1000	900				
	1	1	1	-	-	-	-	-	ADHESIVE TAPE, 53x10x0.8 mm	9
	1	1	1	1	1	1	PPE /SILICONE/COPPER/STAINLESS STEEL	BLACK	PV4-S FEMALE, PLUS CODED	8
	1	1	1	1	1	1	PPE /SILICONE/COPPER/STAINLESS STEEL	BLACK	PV4-S MALE, MINUS CODED	7
		AR	AR	AR	AR	AR	STRANDED TINNED COPPER/XLPO	BLACK	SOLAR CABLE 4 MM ² /12AWG, PV WIRE, UL 1000V/EN 1000V	6
				3	3	3	SL1515E	BLACK	BYPASS DIODE	5
	1	1	1	1	1	1	COPPER ALLOY	TIN PLATING	CONTACT RAIL	4
	1	1	1	1	1	1	ENGINEERING PLASTIC	BLACK	COVER	3
	1	1	1	1	1	1	ENGINEERING PLASTIC	BLACK	BASE	2
	1	1	1	1	1	1	ENGINEERING PLASTIC	BLACK	HOUSING	1
	1--3	1--2	1--1	-3	-2	-1	MATERIAL	SURFACE&COLOUR	DESCRIPTION	ITEM No.

THIS DRAWING IS A CONTROLLED DOCUMENT.

DIMENSIONS: mm

TOLERANCES UNLESS OTHERWISE SPECIFIED:

MATERIAL: -

FINISH: -

APPROVED: ZHONG YUAN 05JAN2016, ALEX ZHANG 05JAN2016, SHI MING 05JAN2016

NAME: ASSY, SOLARLOK JUNCTION BOX PVBAR4GBR3TA

SIZE: A1

SCALE: 1:1

SHEET: 1 OF 1

REV: A4

CUSTOMER DRAWING

X-ON Electronics

Largest Supplier of Electrical and Electronic Components

Click to view similar products for [TE Connectivity](#) manufacturer:

Other Similar products are found below :

[D38999/24FJ4AN](#) [570416-000](#) [CLTEQ-M81CE-SSRELAY-4-20V](#) [4-1195131-0](#) [650069-000](#) [SMD100-2](#) [358838-000](#) [CB-1022B-78](#)
[RM707012](#) [RP410012](#) [MMS42](#) [1-640426-8](#) [2EDL4CM](#) [DTS20W19-11PD-3028-LC](#) [RM202615](#) [NC6-P104-06](#) [MSPS103B](#) [DTS26F21-](#)
[41HE-LC](#) [DTS26F21-41AE](#) [DTS26F21-41PE-LC](#) [DTS26F21-11SE-3028-LC](#) [30DCB6](#) [1932144-1](#) [293545-4](#) [LVR125S](#) [MS27466T25F4PB](#)
[CKB-38-78010](#) [TR04AI-TINELLOCKRING](#) [1206SFF150F/63-2](#) [D38999/20JB35HA](#) [TE1500A2R2J](#) [D38999/20WC8BB](#) [DTS24F19-11SC-](#)
[3028-LC](#) [D38999/24WG11HA](#) [D38999/24WG11HN](#) [MS27467T21F11H](#) [DJT16E21-11HA](#) [MS27467T21F35J](#) [MS27467T21F11J](#)
[MS27467T21F16H-LC](#) [MS27467T21F35H](#) [MS27467T21F41H-LC](#) [1206SFH150F/24-2](#) [RP330024](#) [DJT16E21-11PA-LC](#) [DJT16E21-11HA-](#)
[LC](#) [DJT16E21-11AA](#) [MS27467T21B11JA](#) [DJT16E21-11JA](#) [MS27467T21B11JA-LC](#)