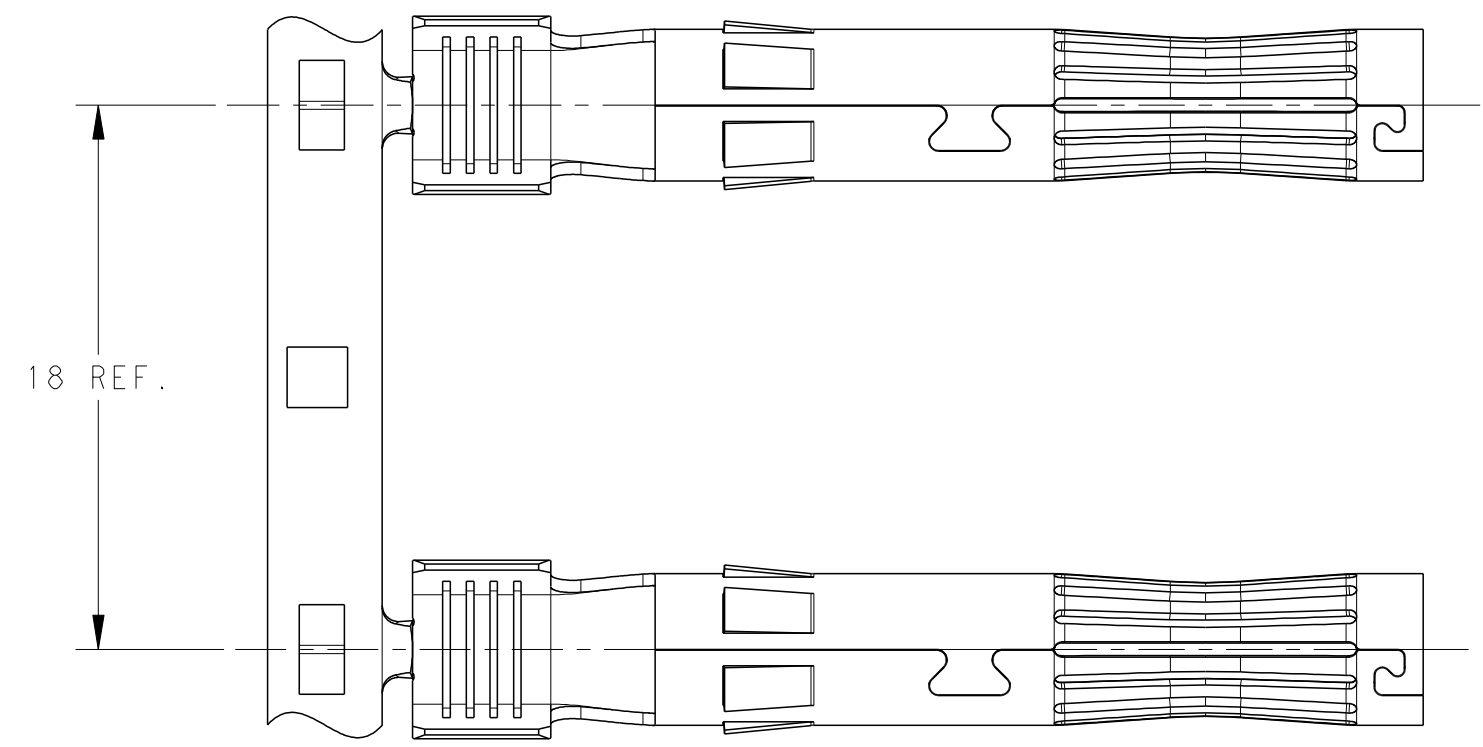
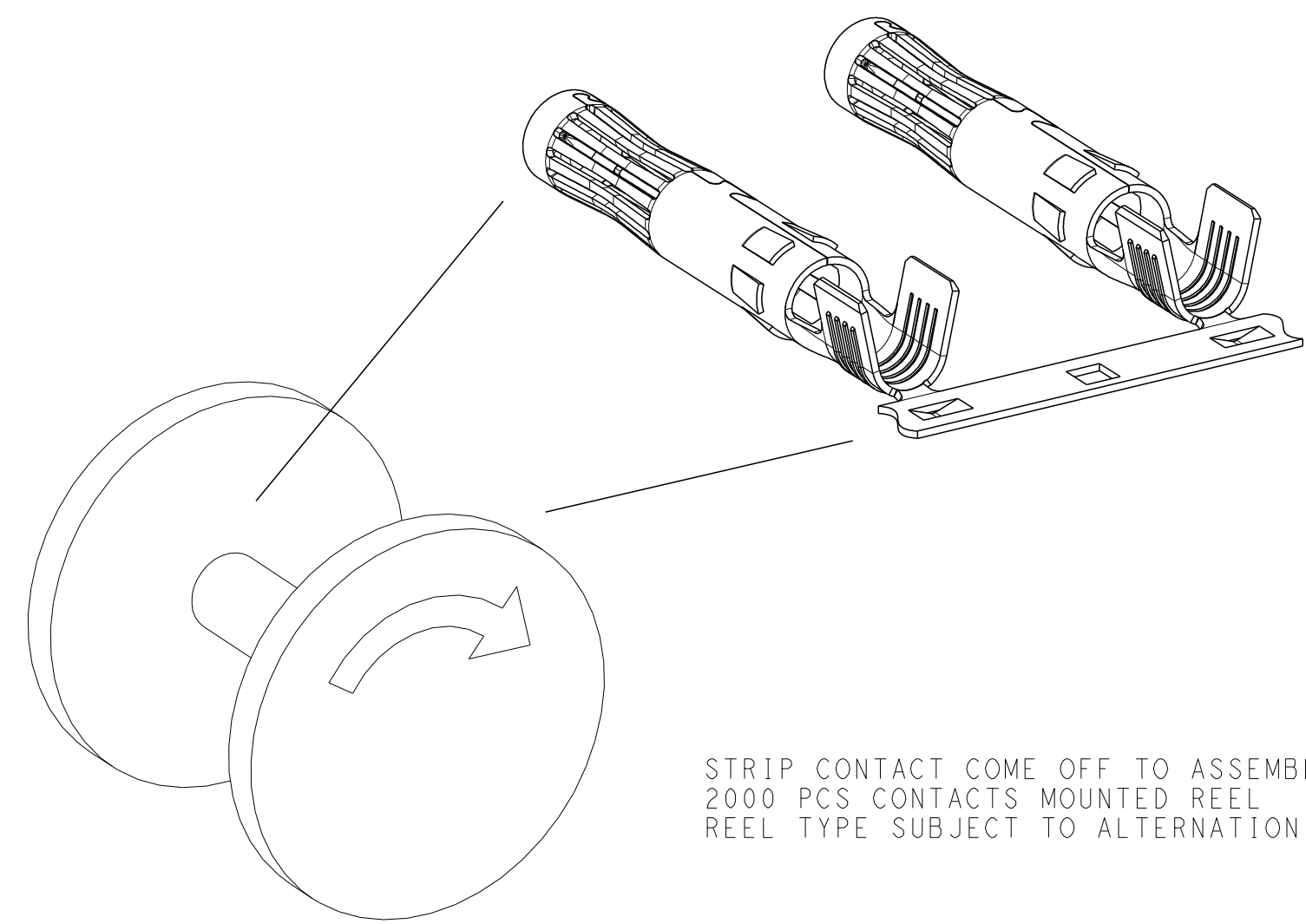


THIS DRAWING IS UNPUBLISHED. RELEASED FOR PUBLICATION 20
 © COPYRIGHT 20 BY - ALL RIGHTS RESERVED.

REVISIONS				
P	LTR	DESCRIPTION	DATE	APVD
A		INITIAL RELEASE	15AUG2017	SG MS



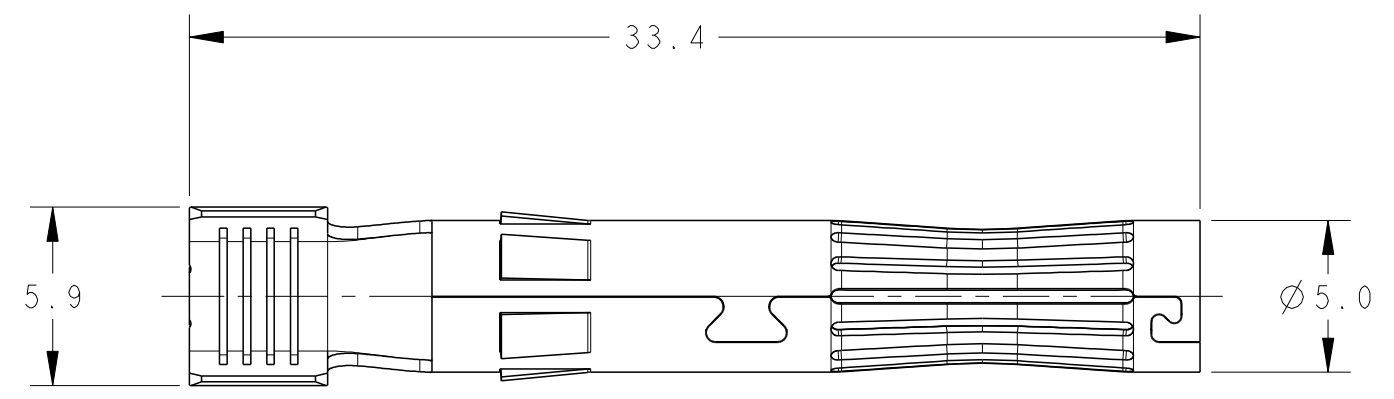
STRIP
-2 AS SHOWN



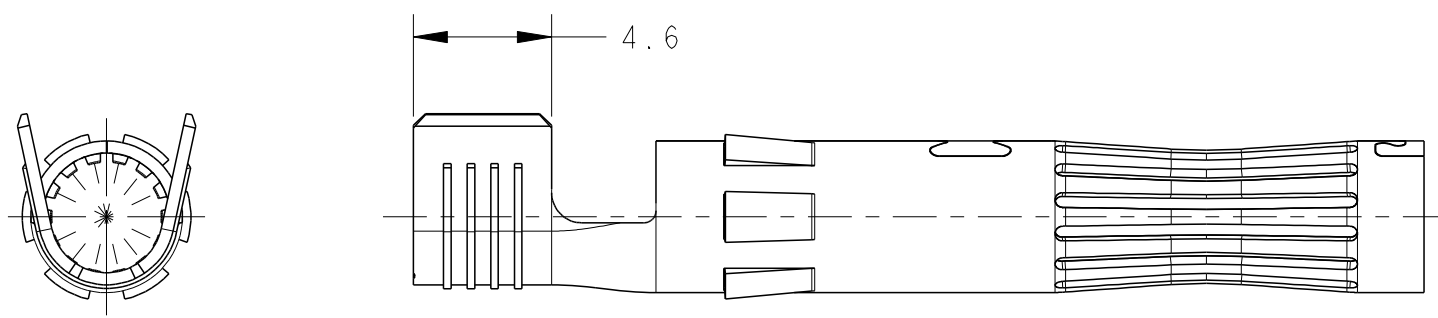
STRIP CONTACT COME OFF TO ASSEMBLY
 2000 PCS CONTACTS MOUNTED REEL
 REEL TYPE SUBJECT TO ALTERNATION

- 1.MATERIAL:COPPER ALLOY,TIN PLATED
- 2.USED FOR SOLAR CABLE:4mm2/12AWG,6mm2/10AWG
- 3.PLS DON'T TOUCH THE CONTACT DIRECTLY BY HAND WITHOUT ANY PROTECTION..

⚠ USE ONLY CRIMPING TOOL OF TE CONNECTIVITY TO CRIMP CONTACT.
 CRIMPING TOOL PN 6-1579014-8 WILL BE USED FOR CRIMPING THE CONTACTS HAVING WIRE SIZE 4.0mm²+6.0mm².



LOOSE PIECE
-3 AS SHOWN



LOOSE PIECE	2270226-4	100
	2270226-3	1000
STRIP	2270226-2	2000
CONTACT TYPE	PART NUMBER	PACKING UNIT
	FOR ORDER	

THIS DRAWING IS A CONTROLLED DOCUMENT.		DWN 15AUG2017 SHIRLEY GAO	TE Connectivity	
DIMENSIONS: mm		CHK 15AUG2017 ALEX ZHANG		
TOLERANCES UNLESS OTHERWISE SPECIFIED:		APVD 15AUG2017 MING SHI	NAME SOCKET CONTACT SOLARLOK PV4-S CONNECTOR	
0 PLC ±0.5		PRODUCT SPEC 108-137077	SIZE CAGE CODE DRAWING NO	
1 PLC ±0.3		APPLICATION SPEC 114-137077	RESTRICTED TO	
2 PLC ±		WEIGHT -	A200779 C-2270226	
3 PLC ±		CUSTOMER DRAWING	SCALE 4:1 SHEET 1 OF 1 REV A	
4 PLC ±				
ANGLES ±				
FINISH				
MATERIAL COPPER ALLOY		TIN		

X-ON Electronics

Largest Supplier of Electrical and Electronic Components

Click to view similar products for [Solar Connectors / Photovoltaic Connectors](#) category:

Click to view products by [TE Connectivity](#) manufacturer:

Other Similar products are found below :

[1740699-7](#) [1971861-4](#) [1971131-4](#) [1971858-3](#) [1971861-3](#) [PV-090508-F03](#) [PV-090508-M10](#) [PV-CM-S 2 5-6 \(-\)](#) [2270184-3](#) [2270154-2](#)
[1987558-2](#) [PV-090506-F03](#) [UTXPM](#) [UTXPF](#) [1627092](#) [1017635](#) [1017636](#) [1-2306314-1](#) [1-2306314-2](#) [1302440201](#) [2-1971862-2](#)
[H4CMC6DM](#) [1705996](#) [1705995](#) [1971858-2](#) [5-2306317-2](#) [1704926](#) [H4CFC4DIS](#) [H4CMC4DC](#) [H4CFC4DC](#) [H4CMC4DM](#) [H4CFC4DM](#)
[H4CFC6DM](#) [H4CFM2DI](#) [H4CFM6DI](#) [H4CMC2DI](#) [H4CMC8DM](#) [H4CMM6DI](#) [H4CPM4DI](#) [H4CMC4DMS](#) [H4CMC4DIS](#) [H4PF](#) [H4PM](#)
[HH4CFD4TMS](#) [PWJ-03BMMB-LL8001](#) [UTXCFA0AM](#) [UTXCFA4AM](#) [UTXCFA4BMH](#) [UTXCMA0AM](#) [UTXCMA4BMH](#)