

4

3

2

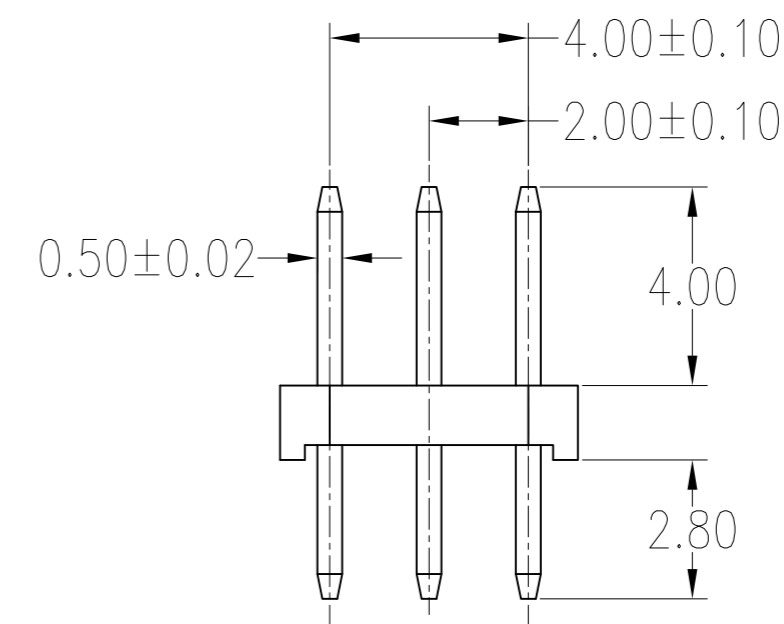
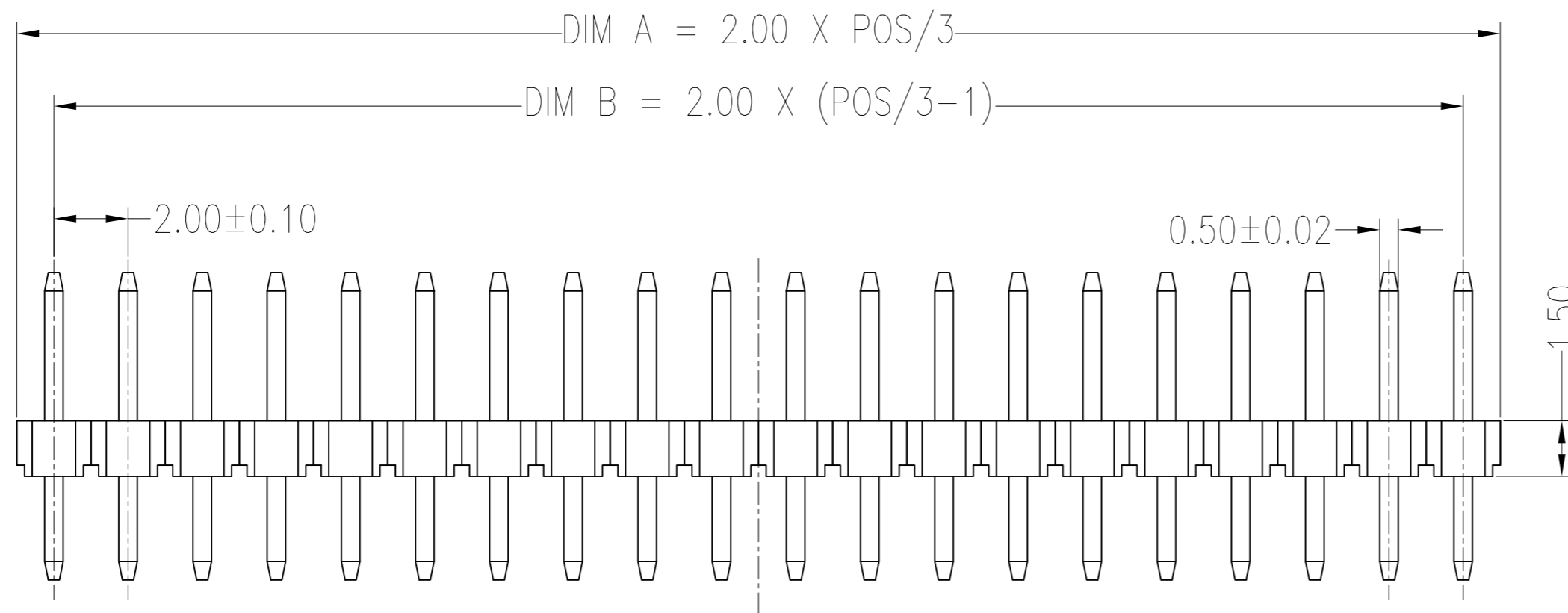
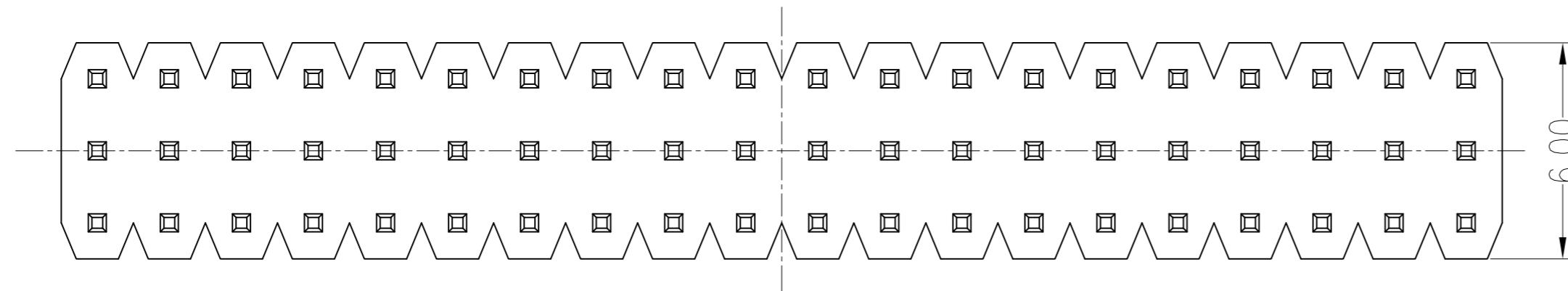
1

THIS DRAWING IS UNPUBLISHED. RELEASED FOR PUBLICATION  
 © COPYRIGHT - by - ALL RIGHTS RESERVED.

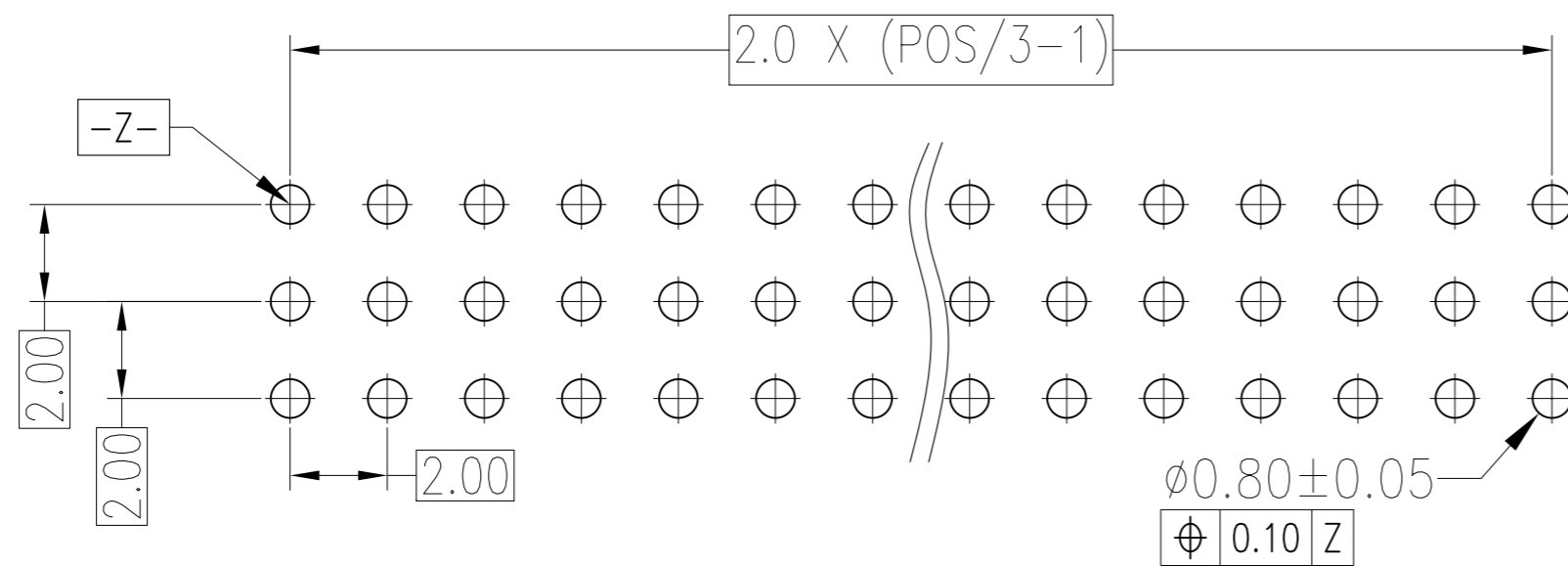
LOC		DIST		REVISIONS			
P	LTR	DESCRIPTION	DATE	DWN	APVD		
-	-	-	-	-	-		

NOTES:  
 Rated Current:2.0AMP.  
 Contact Resistance:20mΩ Max.  
 Withstand Voltage:500V AC/DC  
 Insulation Resistance:1000MΩ Min.  
 Operation Temperature:-40°C to +105°C

Contact Material: Brass  
 Contact Plating: Gold plating all over Nickel  
 Insulator Material: Polyester UL94V-0 BLACK



-	2.00	3	2-2271018-0
2.00	4.00	6	1-2271018-9
4.00	6.00	9	1-2271018-8
6.00	8.00	12	1-2271018-7
8.00	10.00	15	1-2271018-6
10.00	12.00	18	1-2271018-5
12.00	14.00	21	1-2271018-4
14.00	16.00	24	1-2271018-3
16.00	18.00	27	1-2271018-2
18.00	20.00	30	1-2271018-1
20.00	22.00	33	1-2271018-0
22.00	24.00	36	2271018-9
24.00	26.00	39	2271018-8
26.00	28.00	42	2271018-7
28.00	30.00	45	2271018-6
30.00	32.00	48	2271018-5
32.00	34.00	51	2271018-4
34.00	36.00	54	2271018-3
36.00	38.00	57	2271018-2
38.00	40.00	60	2271018-1
DIM B	DIM A	POS	PN



Recommended P.C.B Layout

PART NUMBER AS SHOWN: 2271018-1

THIS DRAWING IS A CONTROLLED DOCUMENT.		DWN ETHAN CHENG 26-NOV-13	TE Connectivity	
		CHK KOBBOY ZHAO 27-NOV-13		
DIMENSIONS: mm		APVD XU XIANG 28-NOV-13	NAME	
TOLERANCES UNLESS OTHERWISE SPECIFIED:		PRODUCT SPEC		
0 PLC ± -		APPLICATION SPEC		
1 PLC ± -		WEIGHT		
2 PLC ± ±0.25		SCALE		
3 PLC ± -		SHEET		
4 PLC ± -		REV		
ANGLES ± -		CUSTOMER DRAWING		
FINISH		SCALE 1:1		
SEE NOTES		SHEET 1 of 1		
		REV B		

## X-ON Electronics

Largest Supplier of Electrical and Electronic Components

*Click to view similar products for [Headers & Wire Housings](#) category:*

*Click to view products by [TE Connectivity](#) manufacturer:*

Other Similar products are found below :

[57102-F02-18ULF](#) [58102-G61-06LF](#) [0009485154](#) [009176003701906](#) [0050291907](#) [02.125.8002.8](#) [609-3404](#) [61062-3](#) [622-0430](#) [622-3653LF](#)  
[63453-116](#) [636-1030](#) [636-1427](#) [636-3427](#) [636-4007](#) [641938-9](#) [644827-2](#) [65495-038](#) [65692-001LF](#) [65781-018](#) [65781-047](#) [65817-010LF](#)  
[65817-015LF](#) [66207-023LF](#) [67016-026LF](#) [67095-007LF](#) [68631-112](#) [68645-018](#) [68648-049](#) [699319-000](#) [70.362.1628.0](#) [70-4210](#) [70-4226B](#)  
[70-4853B](#) [707-5020](#) [707-5028](#) [71.350.2428.0](#) [71961-016LF](#) [733-134](#) [754199-000](#) [760-3052](#) [787-8014-00](#) [FCN-367T-T012/H](#) [80.063.4001.1](#)  
[800-90-010-10-002000](#) [801-43-002-10-013000](#) [801-43-006-10-002000](#) [803-41-018-10-001000](#) [803-43-014-20-001000](#) [803-43-024-10-001000](#)