

4

3

2

1

THIS DRAWING IS UNPUBLISHED.

RELEASED FOR PUBLICATION

20

© COPYRIGHT 20

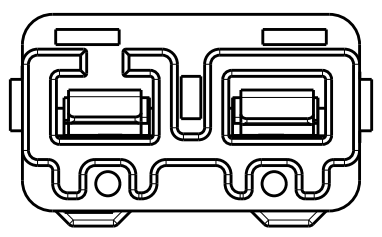
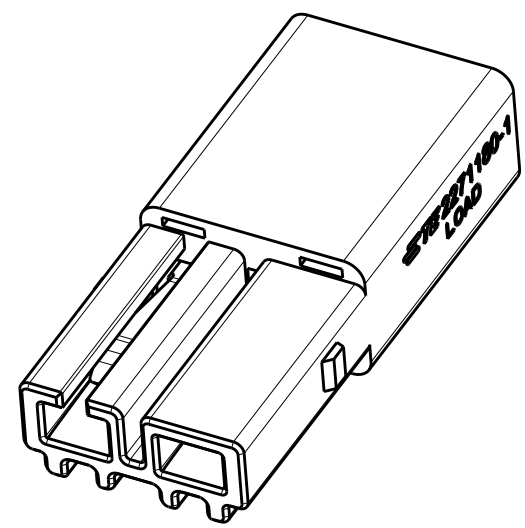
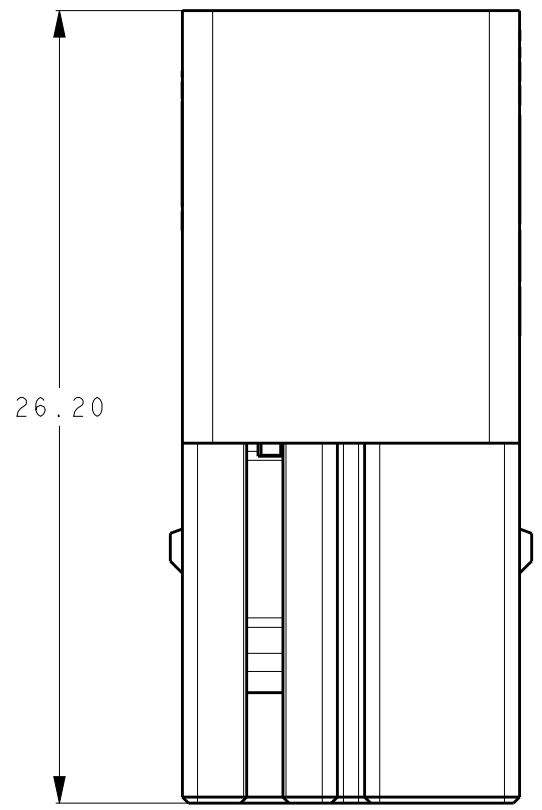
ALL RIGHTS RESERVED.

LOC  
ES

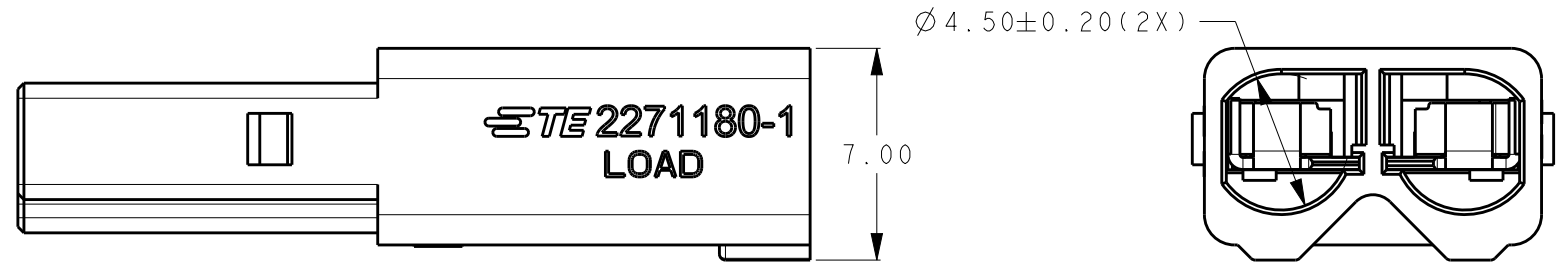
DIST

REVISIONS

P	LTR	DESCRIPTION	DATE	DWN	APVD
	C	ECR-18-020006	03APR2019	M.S	M.S
	D	ECR-19-010701	16AUG2019	M.S	M.S
	D1	ECR-19-013399	26DEC2019	F.F	M.S
	D2	ECO-20-009837	14JULY2020	W.Z	M.S



SCALE 4:1



PART NUMBER	PART COLOR
2271180-1	ORANGE
2271180-2	BLACK
2271180-3	WHITE (NATURAL)

NOTES:

- TE PART NUMBER: SEE TABLE.
- MATERIAL: COPPER ALLOY.
- HOUSING : NYLON, UL 94-V0.COLOR: ORANGE.
- FINISH: TIN PLATING OVERALL.
- APPLICABLE MATING RECEPTACLE: 2271183 SERIES.
- APPLICABLE WIRE: AWG18-22 SOLID OR TIN DIPPED STRANDED. (16 STRANDS MAX. FOR 18 AWG, 7 STRANDS MAX FOR 20-22 AWG. SEE RELATED APPLICATION SPECIFICATION AND PRODUCT SPECIFICATION) STRIP LENGTH: 9.0-9.6mm.
- PRODUCT COMPLIES TO UL 2459 REQUIREMENT AND QUALIFIED: ZMNA.E308110 ; ZMNA7.E308110

THIS DRAWING IS A CONTROLLED DOCUMENT.		DWN	26DEC2019	<b>STE</b> TE Connectivity
		CHK	FRANK FAN	
		APVD	GEORGE FU	
			MING SHI	
DIMENSIONS: mm		TOLERANCES UNLESS OTHERWISE SPECIFIED: ±0.5		NAME
		0 PLC ± 1 PLC ± 2 PLC ± 3 PLC ± 4 PLC ± ANGLES ±5°		PLUG
		PRODUCT SPEC		2 PIN WIRE TO WIRE CONNECTOR
MATERIAL		APPLICATION SPEC		SIZE
FINISH		108-137020		CAGE CODE
		114-137020		DRAWING NO
		WEIGHT		RESTRICTED TO
		1.74g		A300779
		CUSTOMER DRAWING		C-2271180
		SCALE 4:1		SHEET 1 OF 3
				REV D2

THIS DRAWING IS UNPUBLISHED.

RELEASED FOR PUBLICATION

20

© COPYRIGHT 20

ALL RIGHTS RESERVED.

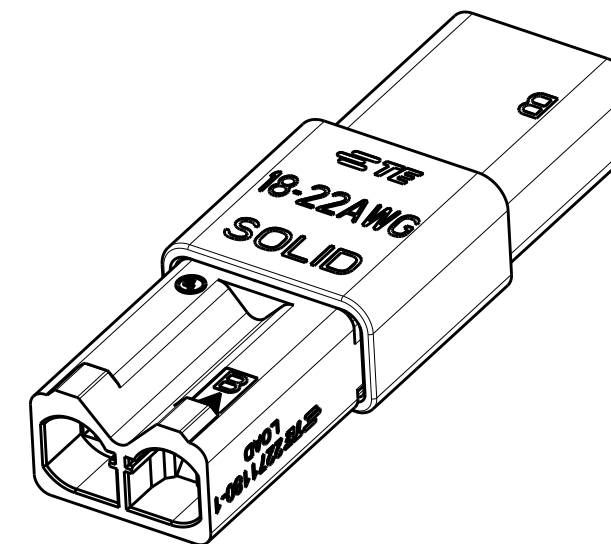
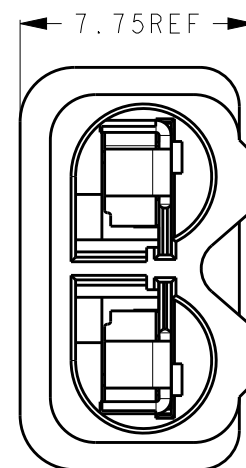
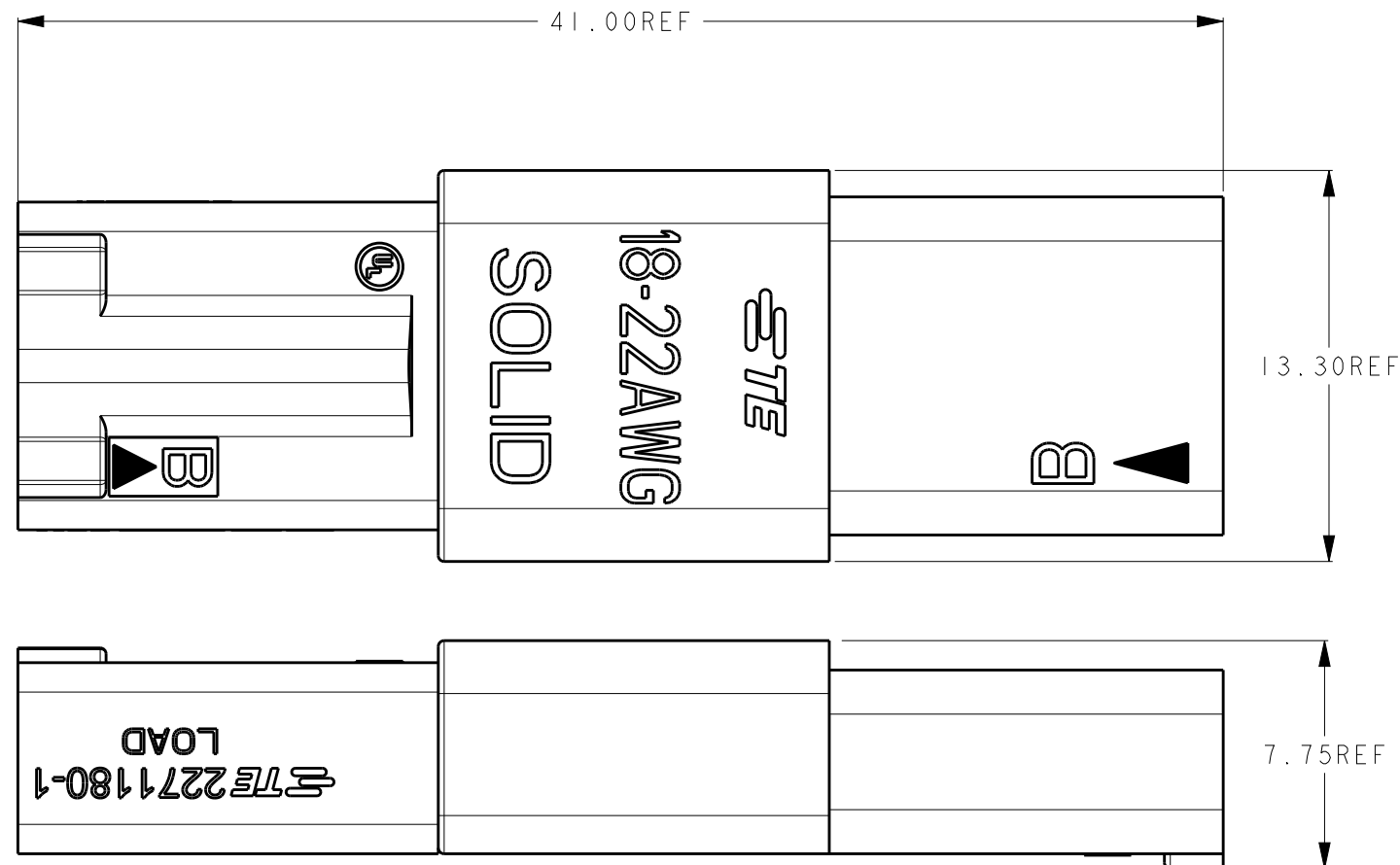
LOC  
ES

DIST

REVISIONS

P	LTR	DESCRIPTION	DATE	DWN	APVD

MATED WITH RECEPTACLE



THIS DRAWING IS A CONTROLLED DOCUMENT.

DIMENSIONS: mm	TOLERANCES UNLESS OTHERWISE SPECIFIED: ± 0.50
	0-PLC ±
	1-PLC ±
	2-PLC ±
	3-PLC ±
	4-PLC ±
MATERIAL	ANGLES ± 5°
	FINISH

DWN	FRANK FAN	26DEC2019
CHK	GEORGE FU	26DEC2019
APVD	MING SHI	26DEC2019
PRODUCT SPEC	-	
APPLICATION SPEC	-	
WEIGHT	-	
CUSTOMER DRAWING		

**STE** TE Connectivity

PLUG  
2 PIN WIRE TO WIRE CONNECTOR

NAME	SIZE	CAGE CODE	DRAWING NO	RESTRICTED TO
	A3	00779	C-2271180	-

SCALE 4:1 SHEET 2 OF 3 REV D2

THIS DRAWING IS UNPUBLISHED.

RELEASED FOR PUBLICATION

20

© COPYRIGHT 20

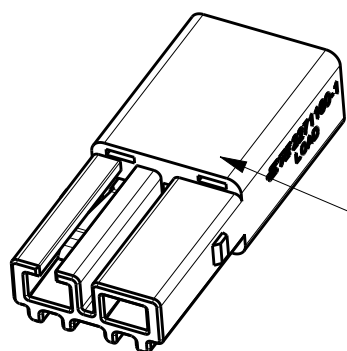
ALL RIGHTS RESERVED.

LOC  
ES

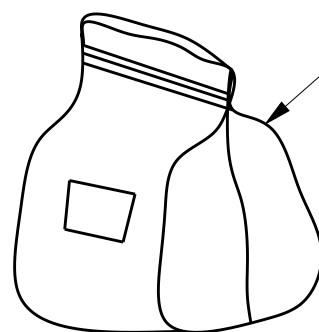
DIST

REVISIONS

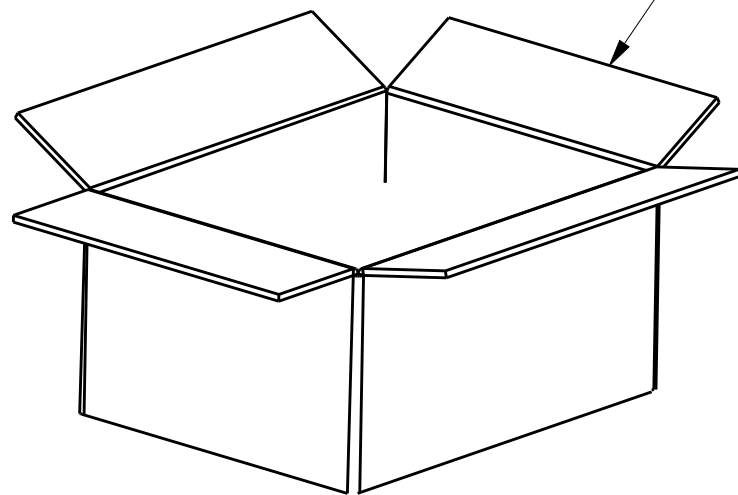
P	LTR	DESCRIPTION	DATE	DWN	APVD



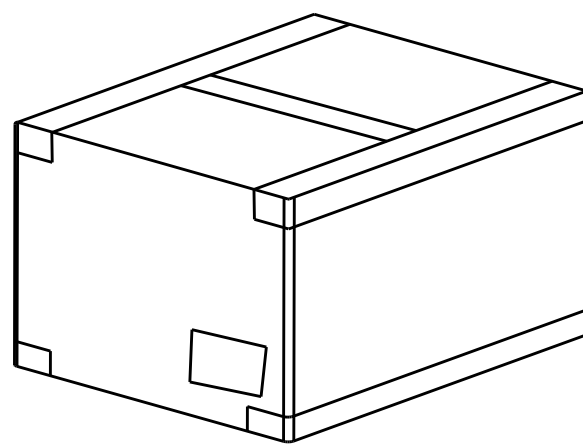
2271180-X



PLASTIC BAG



CARTON



NOTE:  
1. PACKAGING QUANTITY: SEE TABLE.

PARTS PER BAG	BAGS PER CARTON	PARTS PER CARTON
500 PCS	8	4000 PCS

THIS DRAWING IS A CONTROLLED DOCUMENT.

DIMENSIONS: mm		TOLERANCES UNLESS OTHERWISE SPECIFIED:	
		0 PLC	±
		1 PLC	±10
		2 PLC	±5.0
		3 PLC	±
		4 PLC	±
MATERIAL		FINISH	
-		-	

DWN	26DEC2019
FRANK FAN	
CHK	26DEC2019
GEORGE FU	
APVD	26DEC2019
MING SHI	
PRODUCT SPEC	-
APPLICATION SPEC	-
WEIGHT	-
CUSTOMER DRAWING	

**STE** TE Connectivity

PLUG  
2 PIN WIRE TO WIRE CONNECTOR

NAME	-			RESTRICTED TO	-
SIZE	CAGE CODE	DRAWING NO	-		
A3	00779	C-2271180	-		
SCALE	4:1	SHEET	3 OF 3	REV	D2

## X-ON Electronics

Largest Supplier of Electrical and Electronic Components

*Click to view similar products for [Lighting Connectors](#) category:*

*Click to view products by [TE Connectivity](#) manufacturer:*

Other Similar products are found below :

[293300-7](#) [293660-5](#) [CNX\\_H03\\_NTP](#) [30-9767-BU](#) [3605](#) [3-21030-1](#) [ZCH-110-RGB-I](#) [503471-0290](#) [ZCH-110-RGB-J](#) [217-0716-200](#)  
[1954563-1](#) [1-293657-2](#) [2834036-1](#) [2834037-1](#) [1-2213222-4](#) [2-2213222-4](#) [2213222-4](#) [2834122-3](#) [2834122-5](#) [2834135-2](#) [FLA-R4142-30](#)  
[FLA-R4162-30](#) [FLA-R2142-30](#) [FLA-R2141-30](#) [FLA-R2162-30](#) [FLA-R2161-30](#) [FLA-R0161-30](#) [FLA-R0141-30](#) [FLA-R0142-30](#) [FLA-](#)  
[R0162-30](#) [FLA-C00-00](#) [DGA00010553](#) [CNXV04NTP](#) [104128-0610](#) [503485-0000 \(Cut Strip\)](#) [503485-0000 \(Loose Piece\)](#) [503485-0000](#)  
[\(MINI Reel\)](#) [1-2834074-2](#) [1-2834074-3](#) [1357-AC PLUG W2C \(CHINA\)](#) [1357-AC PLUG W2 \(USA\)](#) [104266-0110](#) [2106212-1](#) [2-2834074-2](#)  
[104266-0210](#) [293470-1](#) [293651-2](#) [293651-4](#) [1-2834006-2](#) [293651-1](#)