

THIS DRAWING IS UNPUBLISHED.

RELEASED FOR PUBLICATION

20

© COPYRIGHT 20

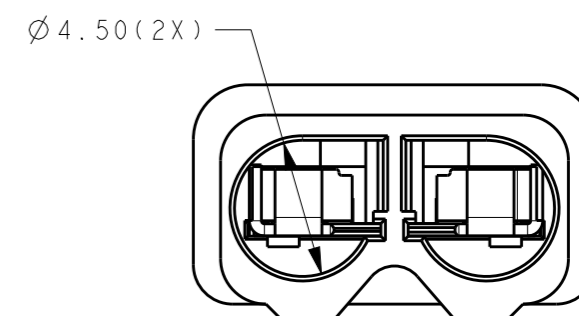
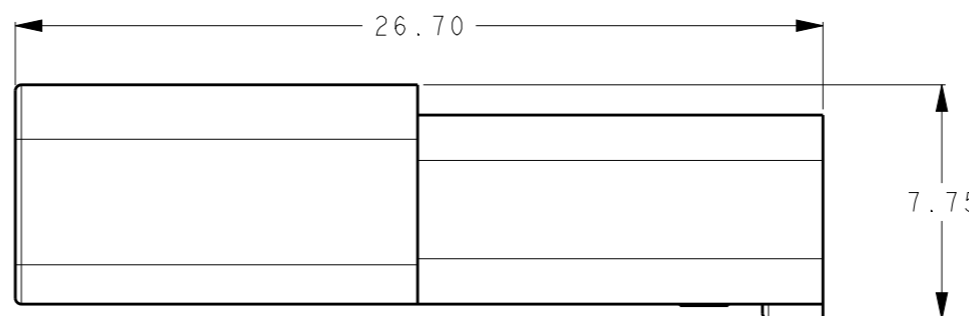
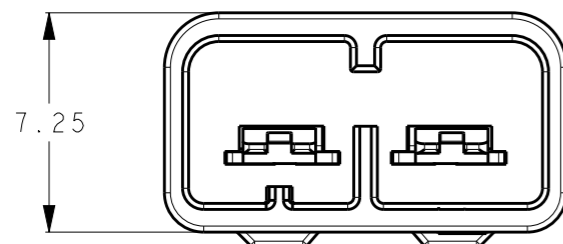
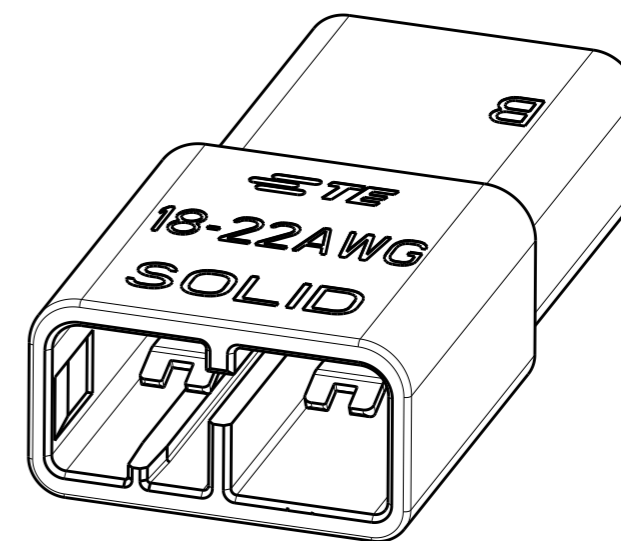
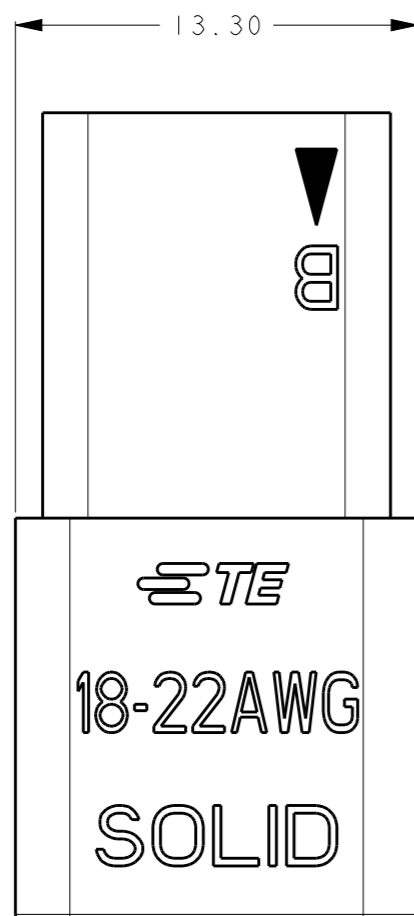
ALL RIGHTS RESERVED.

LOC  
ES

DIST

REVISIONS

P	LTR	DESCRIPTION	DATE	DWN	APVD
B		ECR-16-007582	01JUN2016	M.S	X.X
C		ECR-18-020006	03APR2019	M.S	M.S
C1		ECR-19-013399	26DEC2019	F.F	M.S
C2		ECR-20-009837	14JULY2020	W.Z	M.S



PART NUMBER	PART COLOR
2271183-1	ORANGE
2271183-2	BLACK
2271183-3	WHITE (NATURAL)

NOTES:

- 1. TE PART NUMBER: SEE TABLE.
- 2. MATERIAL: COPPER ALLOY.
- 3. HOUSING: NYLON, UL 94-V0. COLOR: ORANGE.
- 4. FINISH: TIN PLATING OVERALL.
- 5. APPLICABLE WIRE: AWG18-22 SOLID OR TIN DIPPED STRANDED. (16 STRANDS MAX. FOR 18 AWG, 7 STRANDS MAX FOR 20-22 AWG. SEE RELATED APPLICATION SPECIFICATION AND PRODUCT SPECIFICATION)
- 6. STRIP LENGTH: 9.0-9.6mm.
- 7. APPLICABLE MATING PLUG: 2271180 SERIES.
- 8. PRODUCT COMPLIES TO UL 2459 REQUIREMENT AND QUALIFIED: ZMNA.E308110 ; ZMNA7.E308110

THIS DRAWING IS A CONTROLLED DOCUMENT.

DIMENSIONS:	TOLERANCES UNLESS OTHERWISE SPECIFIED:
mm	± 0.5
	0 PLC ±
	1 PLC ±
	2 PLC ±
	3 PLC ±
	4 PLC ±
	ANGLES ±5°
MATERIAL	FINISH

DWN	26DEC2019
CHK	FRANK FAN
APVD	26DEC2019
PRODUCT SPEC	GEORGE FU
APPLICATION SPEC	26DEC2019
WEIGHT	MING SHI
CUSTOMER DRAWING	108-137020
	114-137020
	1.82 g

**TE** TE Connectivity

NAME: 2 PINS WIRE TO WIRE CONNECTOR RECEPTACLE

SIZE	CAGE CODE	DRAWING NO	RESTRICTED TO
A3	00779	C-2271183	-

SCALE 4:1 SHEET 1 OF 3 REV C2

THIS DRAWING IS UNPUBLISHED.

RELEASED FOR PUBLICATION

20

© COPYRIGHT 20

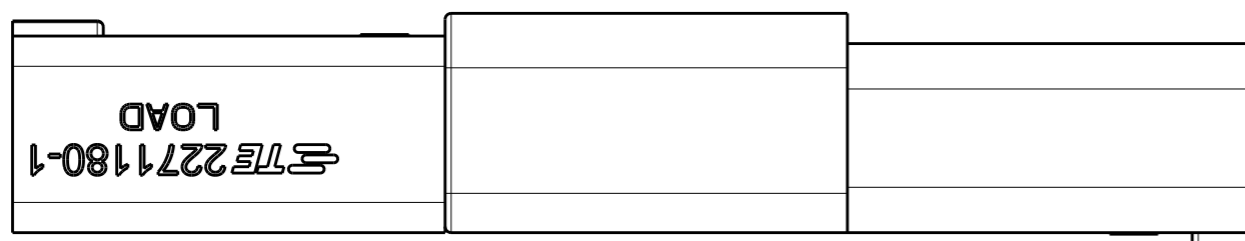
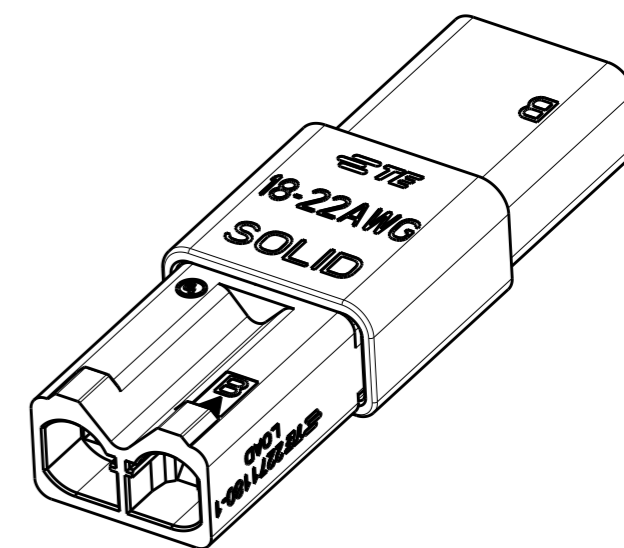
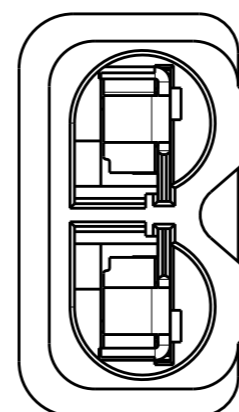
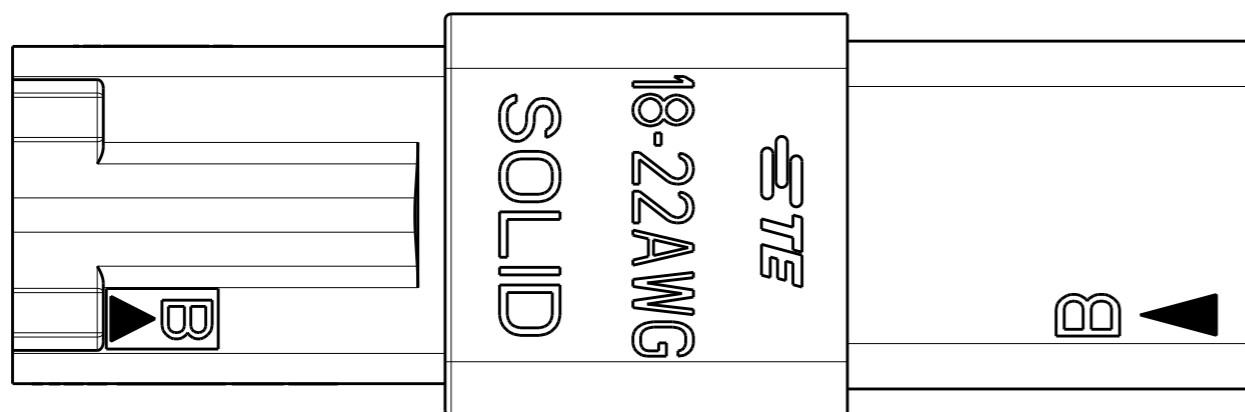
ALL RIGHTS RESERVED.

LOC ES DIST

REVISIONS

P	LTR	DESCRIPTION	DATE	DWN	APVD

MATED WITH PLUG



THIS DRAWING IS A CONTROLLED DOCUMENT.

DIMENSIONS:  
mm



TOLERANCES UNLESS OTHERWISE SPECIFIED:  
± 0.5

- 0-PLC ±
- 1-PLC ±
- 2-PLC ±
- 3-PLC ±
- 4-PLC ±
- ANGLES ± 5°

MATERIAL

FINISH

DWN 26DEC2019  
FRANK FAN  
CHK 26DEC2019  
GEORGE FU  
APVD 26DEC2019  
MING SHI

PRODUCT SPEC

APPLICATION SPEC

WEIGHT

CUSTOMER DRAWING

**STE** TE Connectivity

NAME  
2 PINS WIRE TO WIRE CONNECTOR RECEPTACLE

SIZE	CAGE CODE	DRAWING NO	RESTRICTED TO
------	-----------	------------	---------------

A3	00779	C-2271183	-
----	-------	-----------	---

SCALE 4:1	SHEET 2 OF 3	REV C2
-----------	--------------	--------

THIS DRAWING IS UNPUBLISHED.

RELEASED FOR PUBLICATION

20

© COPYRIGHT 20

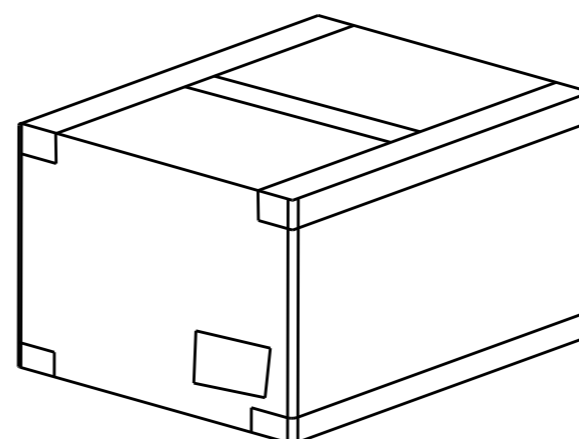
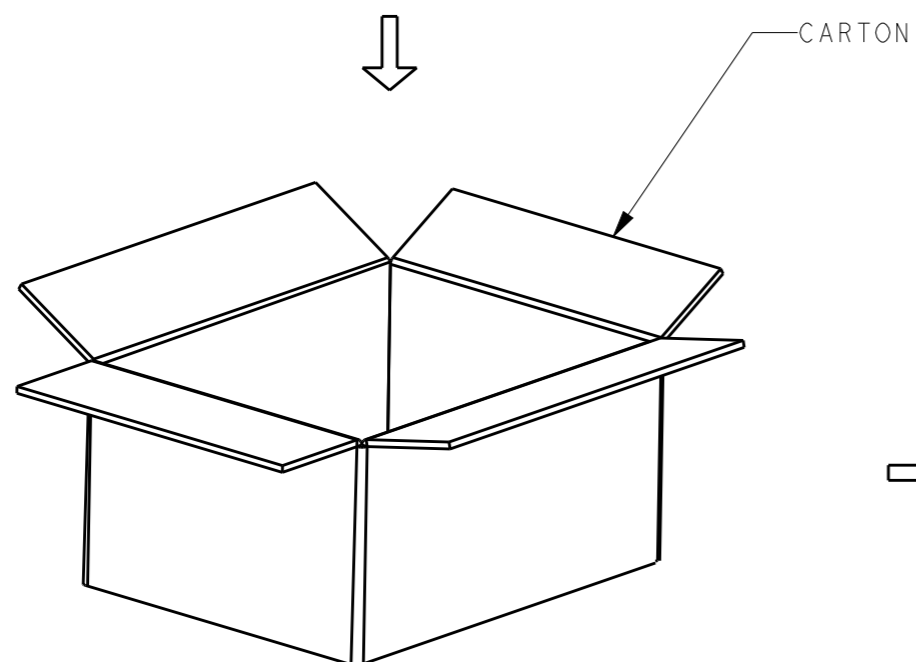
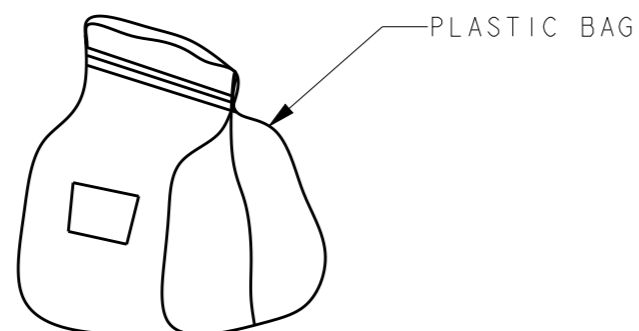
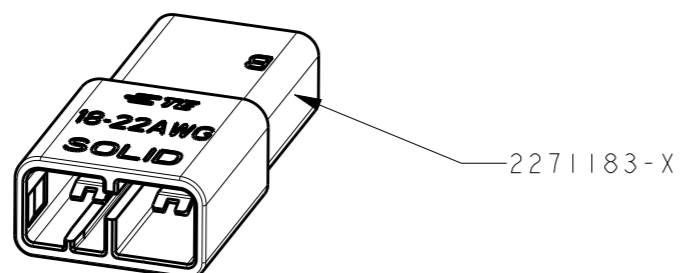
ALL RIGHTS RESERVED.

LOC  
ES

DIST

REVISIONS

P	LTR	DESCRIPTION	DATE	DWN	APVD



NOTE:  
1. PACKAGING QUANTITY: SEE TABLE.

PARTS PER BAG	BAGS PER CARTON	PARTS PER CARTON
500 PCS	8	4000 PCS

THIS DRAWING IS A CONTROLLED DOCUMENT.

DIMENSIONS: mm	TOLERANCES UNLESS OTHERWISE SPECIFIED:
	0 PLC ±
	1 PLC ±10.0
	2 PLC ±5.0
	3 PLC ±
	4 PLC ±
MATERIAL	FINISH
-	-

0 PLC ±	10.0
1 PLC ±10.0	
2 PLC ±5.0	
3 PLC ±	
4 PLC ±	
ANGLES ±	5°
MATERIAL	FINISH
-	-

DWN	26DEC2019
CHK	FRANK FAN
APVD	26DEC2019
	GEORGE FU
	26DEC2019
	MING SHI
PRODUCT SPEC	-
APPLICATION SPEC	-
WEIGHT	-
CUSTOMER DRAWING	

**TE** TE Connectivity

NAME				2 PINS WIRE TO WIRE CONNECTOR RECEPTACLE	
SIZE	CAGE CODE	DRAWING NO	RESTRICTED TO		
A3	00779	C-2271183	-		
SCALE		SHEET	OF	REV	
4:1		3	3	C2	

## X-ON Electronics

Largest Supplier of Electrical and Electronic Components

*Click to view similar products for [Lighting Connectors](#) category:*

*Click to view products by [TE Connectivity](#) manufacturer:*

Other Similar products are found below :

[293300-7](#) [293660-5](#) [CNX\\_H03\\_NTP](#) [30-9767-BU](#) [3605](#) [3-21030-1](#) [ZCH-110-RGB-I](#) [503471-0290](#) [ZCH-110-RGB-J](#) [217-0716-200](#)  
[1954563-1](#) [1-293657-2](#) [2834036-1](#) [2834037-1](#) [1-2213222-4](#) [2-2213222-4](#) [2213222-4](#) [2834122-3](#) [2834122-5](#) [2834135-2](#) [FLA-R4142-30](#)  
[FLA-R4162-30](#) [FLA-R2142-30](#) [FLA-R2141-30](#) [FLA-R2162-30](#) [FLA-R2161-30](#) [FLA-R0161-30](#) [FLA-R0141-30](#) [FLA-R0142-30](#) [FLA-](#)  
[R0162-30](#) [FLA-C00-00](#) [DGA00010553](#) [CNXV04NTP](#) [104128-0610](#) [503485-0000 \(Cut Strip\)](#) [503485-0000 \(Loose Piece\)](#) [503485-0000](#)  
[\(MINI Reel\)](#) [1-2834074-2](#) [1-2834074-3](#) [1357-AC PLUG W2C \(CHINA\)](#) [1357-AC PLUG W2 \(USA\)](#) [104266-0110](#) [2106212-1](#) [2-2834074-2](#)  
[104266-0210](#) [293470-1](#) [293651-2](#) [293651-4](#) [1-2834006-2](#) [293651-1](#)