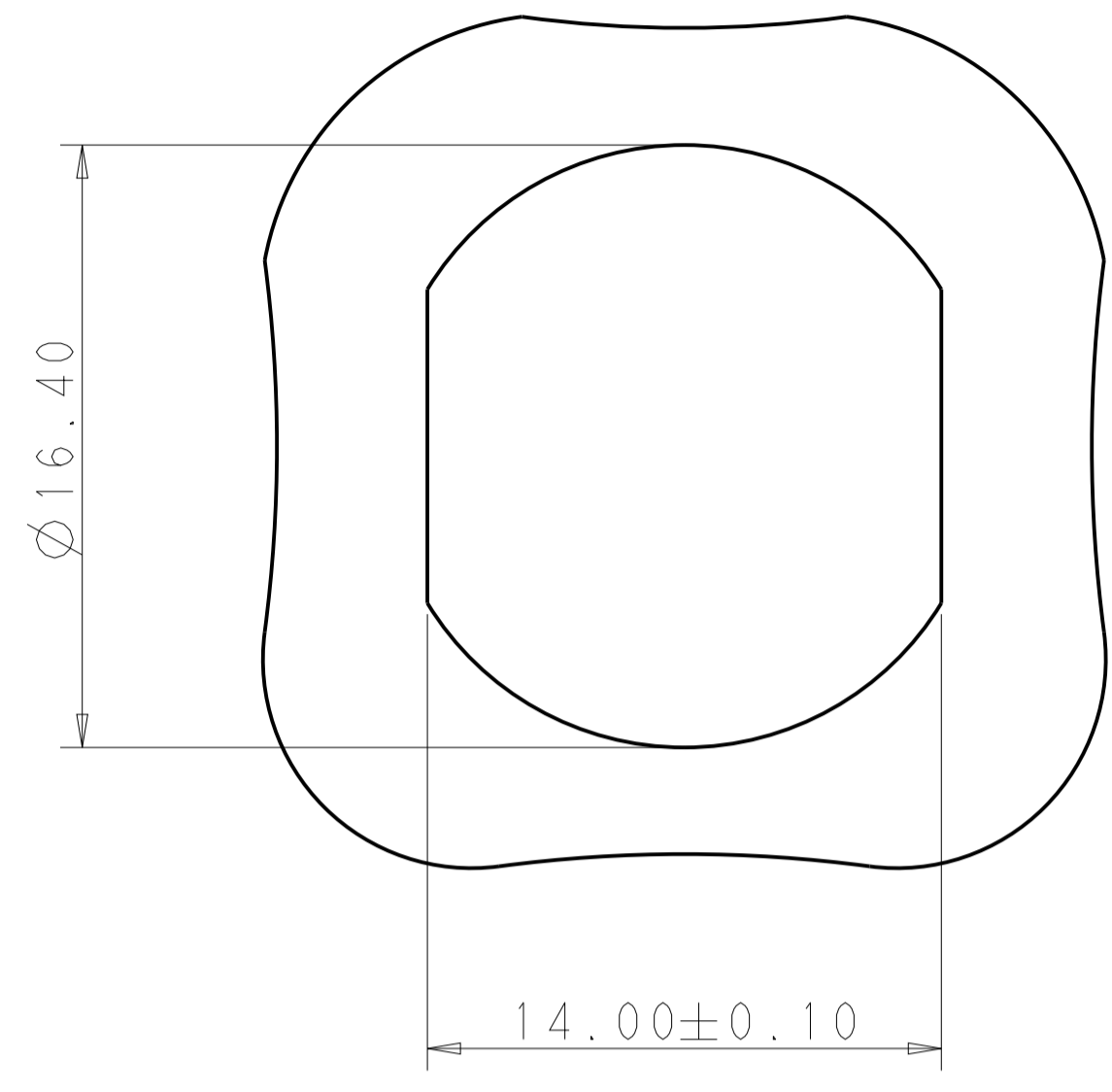
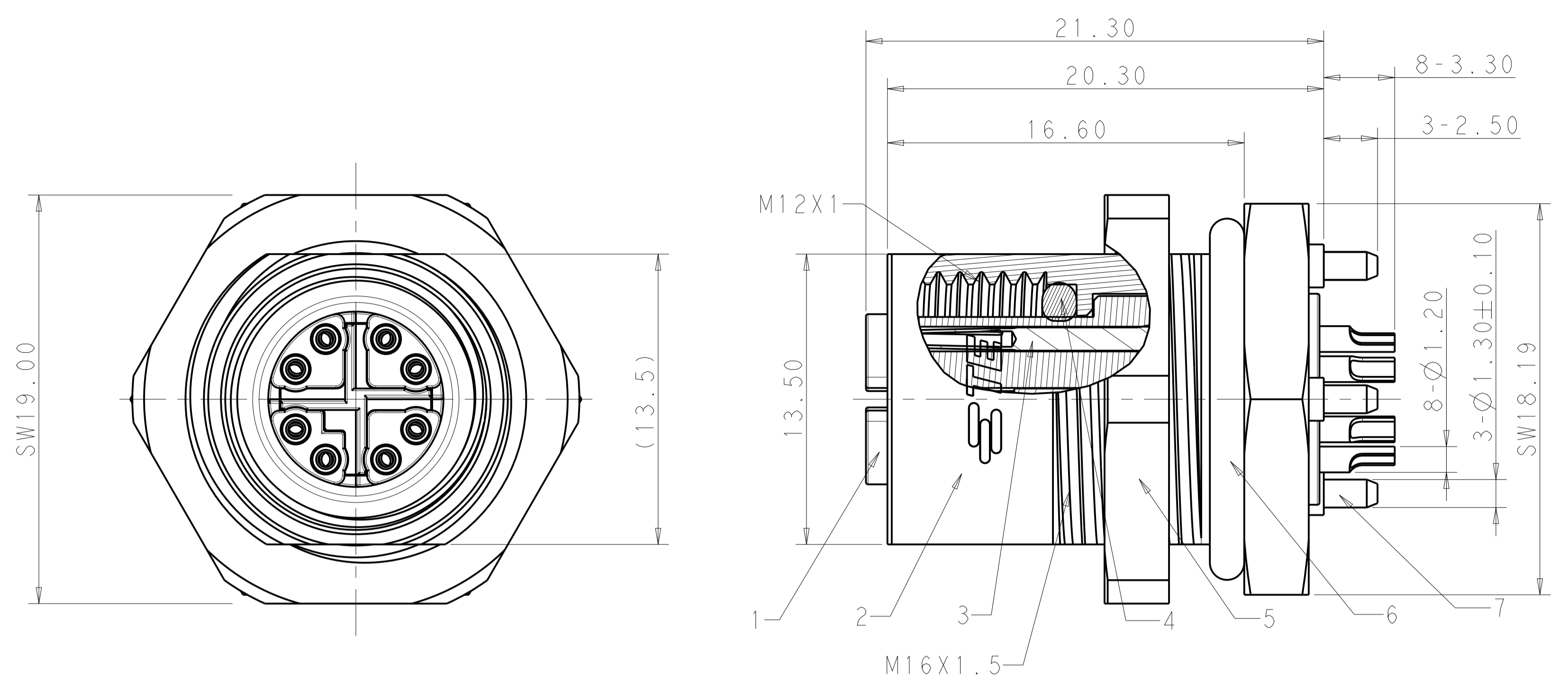
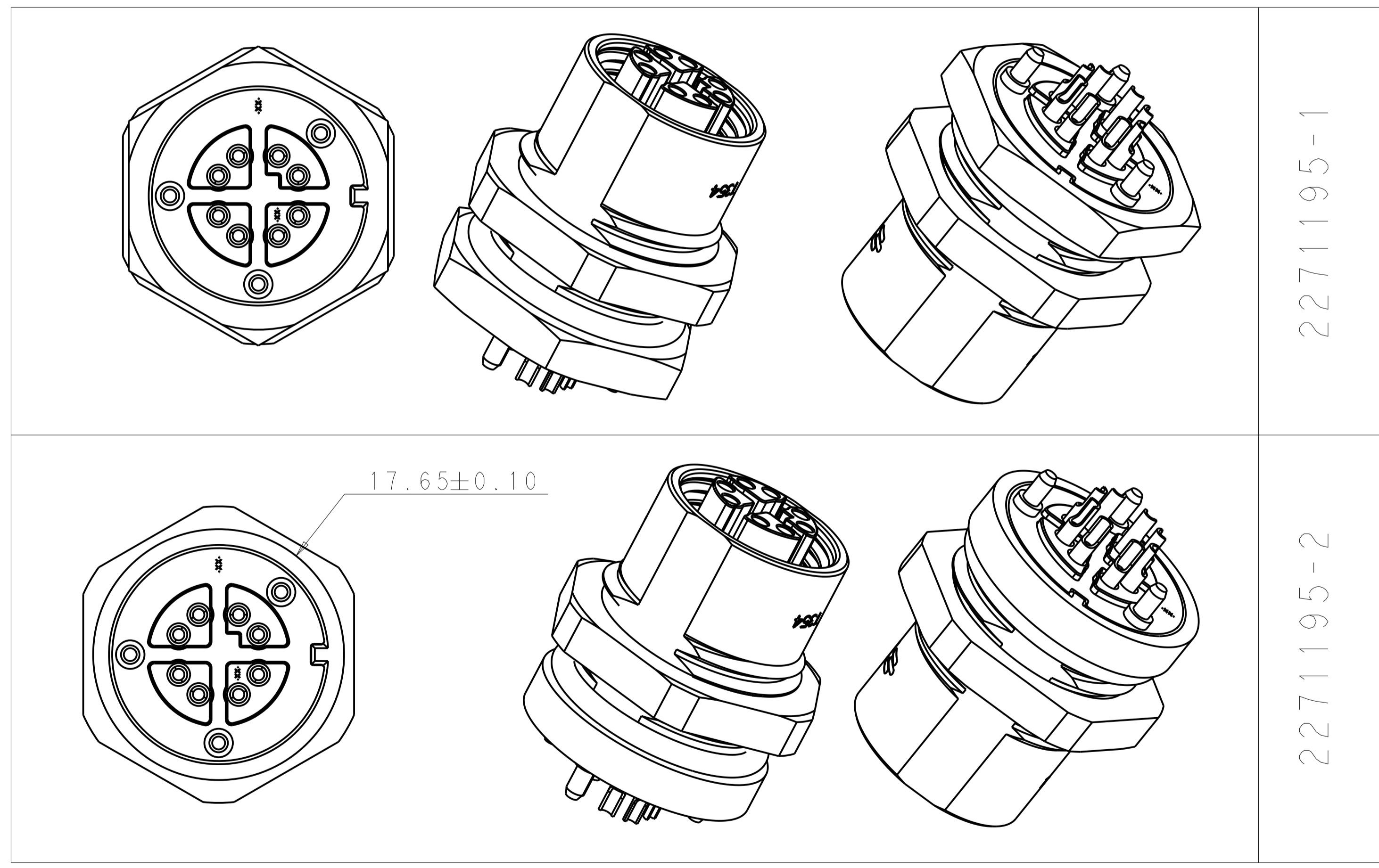


LOC		DIST		REVISIONS			
				REV	DATE	BY	CHK
A1	PER ECR-15-015943				30OCT2015	N. P.	X. X.
A2	PER ECR-20-005213				08APR2020	F. Y.	C. W.
A3	PER ECR-21-001469				04FEB2021	F. Y.	C. W.
B	PER ECR-21-102523				21MAY2021	G. W.	C. W.



RECOMMENDED PANEL HOLE SIZE  
4.5mm MAX PANEL THICKNESS



SPCIFICATION:

1. M12 8P RECEPTACLE REAR MOUNT SHIELDED TYPE.
2. RATED VOLTAGE: 48V, RATED CURRENT: 0.5A.
3. CONTACT RESISTANT: 5 mOhm MAX.
4. INSULATION WITHSTAND: 100 MOhm MIN.
5. PROTECTION: IP67.
6. TEMPERATURE RANGE: -25°~+85°.
7. TRANSMISSION CHARACTERISTICS: CAT6a.
8. PACKAGE: 40PCS/TRAY, 10TRAYS/BOX(TOTAL 400PCS).
9. SUITABLE WIRE RATING: 22~28AWG

规格:

1. M12 8针 板后屏蔽型母座.
2. 额定电压: 48V, 额定电流: 0.5A
3. 接触阻抗: 5 mOhm MAX.,
4. 绝缘阻抗: 100MOhm MIN.
5. 保护等级: IP67
6. 温度范围: -25°~+85°.
7. 传输特性: CAT6a
8. 包装规范: 40PCS/TRAY, 10TRAYS/箱(共400pcs产品)
9. 适用导线规格: 22~28AWG

ITEM	DESCRIPTION	MATERIAL	FINISH/COLOR
1	INSERT HOUSING	PA	BLACK
2	HEXAGONAL SHELL	ZINC ALUMINUM ALLOY	NICKEL OVER COPPER
3	SOCKET CONTACT	COPPER ALLOY	GOLD OVER NICKEL
4	SEALER RING	LSR	BLACK
5	HEXAGONAL NUT	COPPER ALLOY	NICKEL OVERALL
6	SEALER RING	LSR	BLACK
7	CROSS SHIELDED	ZINC ALUMINUM ALLOY	NICKEL OVER COPPER TIN OVER NICKEL

THIS DRAWING IS A CONTROLLED DOCUMENT.

OWN: FENCER YU 24JUN2015  
CHK: ROBBY ZHAO 24JUN2015  
APVD: XIANG YU 24JUN2015

PRODUCT SPEC: 108-137008  
APPLICATION SPEC: 114-137008

SIZE: A1  
CAGE CODE: 00779  
DRAWING NO: C=2271195

RESTRICTED TO: -

Customer Drawing

SCALE: 6:1 SHEET 1 OF 1 REV B

TE Connectivity

REAR PANEL MOUNT SOLDER CONNECTOR  
M12 X-CODE

## X-ON Electronics

Largest Supplier of Electrical and Electronic Components

*Click to view similar products for [Circular Metric Connectors](#) category:*

*Click to view products by [TE Connectivity](#) manufacturer:*

Other Similar products are found below :

[600X518037X](#) [6STD15PCR99B70A](#) [8R4000A16M020](#) [8R5000A16M005](#) [1200910002](#) [1203580030](#) [1200910008](#) [1200910011](#) [1300140094](#)  
[130203-0054](#) [1300140026](#) [1300150099](#) [RF-12S1N8A90DU](#) [1612618](#) [21036836414](#) [8R4006A16M010](#) [8R5006A18A120](#) [1604232](#)  
[1R3006A20M005](#) [RF-12P1N8A80DU](#) [RF-12P1N8A90DU](#) [41-40011](#) [42-00006](#) [42-01015](#) [4-22279-4](#) [4-22281-1](#) [4-22284-9](#) [43-00113](#) [43-](#)  
[01088](#) [43-01203](#) [41-40013](#) [42-00008](#) [43-00343](#) [43-01032](#) [43-01162](#) [43-01173](#) [43-10000](#) [XS3P-M421-2](#) [600X518050X](#) [SACC-DSI-FS-5P-](#)  
[PG9-L180 SC](#) [8R5006A16M020](#) [8R5006A16M005](#) [8R4000A16M010](#) [6-22279-3](#) [1605332](#) [N03FA03144](#) [1300140077](#) [43-16213](#) [43-01338](#)  
[XS2RD4265](#)