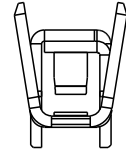
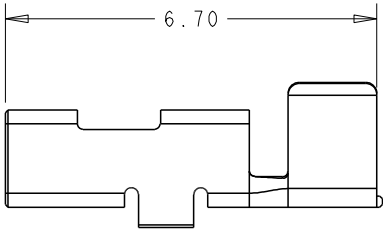
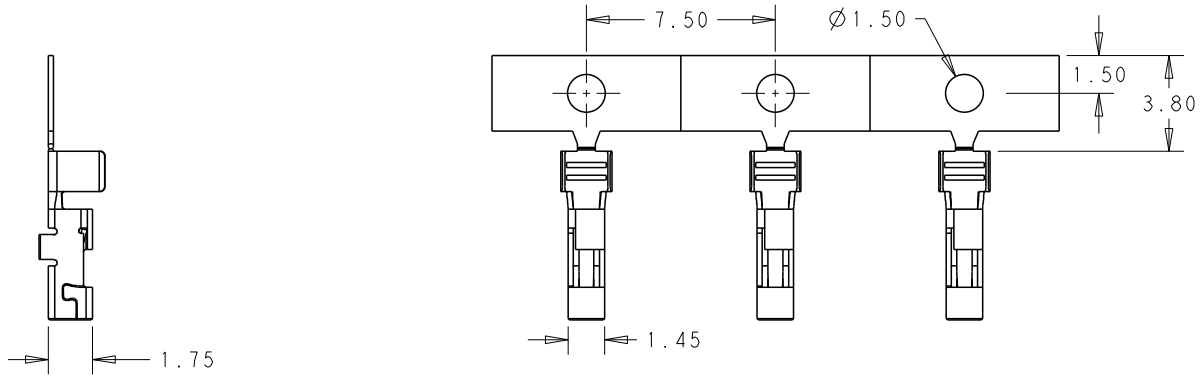


4 | 3 | 2 | 1

THIS DRAWING IS UNPUBLISHED. | RELEASED FOR PUBLICATION | 20


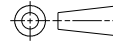
© COPYRIGHT 20 BY - | ALL RIGHTS RESERVED.

REVISIONS				
P	LTR	DESCRIPTION	DATE	APVD
	A	INITIAL RELEASED	1JUN2015	W.N X.X



- NOTES
- 1 MATERIAL: PHOSPHOR BRONZE, THICKNESS: 0.20±0.01mm
 - 2 FINSH: NICKEL PLATED ALL OVER
GOLD PLATED AT CONTACT AREA
 - 3 WIRE SIZE: 22AWG~18AWG (0.32mm²~0.75mm²)

1 2	2271279-2
MATERIAL/FINISH	P/N

THIS DRAWING IS A CONTROLLED DOCUMENT.		DWN	09-Jun-15		 TE Connectivity
		CHK	Ning Wang 09-Jun-15		
		APVD	Kobby Zhao 09-Jun-15		
		APVD	Xiang Xu 09-Jun-15		
DIMENSIONS:		TOLERANCES UNLESS OTHERWISE SPECIFIED:		NAME	
mm				108-137039	
		0 PLC ±- 1 PLC ±- 2 PLC ±0.20 3 PLC ±- 4 PLC ±- ANGLES ±-		PRODUCT SPEC 108-137039	
MATERIAL		FINISH		APPLICATION SPEC	
-		-		114-137039	
-		-		WEIGHT	
-		-		-	
Customer Drawing				SIZE	RESTRICTED TO
				A3	-
				DRAWING NO	
				©=2271279	
				SCALE	SHEET
				10:1	1 OF 1
				REV	A

X-ON Electronics

Largest Supplier of Electrical and Electronic Components

Click to view similar products for [Heavy Duty Power Connectors](#) category:

Click to view products by [TE Connectivity](#) manufacturer:

Other Similar products are found below :

[647757-1](#) [6643411-1](#) [6646058-2](#) [6646137-1](#) [6646138-1](#) [6646479-1](#) [6646608-1](#) [6646786-1](#) [6646940-1](#) [6651091-1](#) [6651525-1](#) [6651529-1](#)
[6651788-1](#) [696475-1](#) [702-32-01109](#) [703-25-02205](#) [73000005059](#) [73000005642](#) [73080255059](#) [73080965046](#) [765-15-0080A](#) [765-16-0080B](#)
[765-18-0080D](#) [829992-1](#) [902-77-02113](#) [PS00/A0620/6300](#) [PS25/A0420/63](#) [129-1J](#) [1409400](#) [AN0024023](#) [E6374G1](#) [e6389g2](#) [157-43GW8](#)
[MS3117-14AC](#) [1643543-1](#) [1650540-1](#) [1651811-2](#) [1766260-1](#) [1766282-1](#) [1766966-1](#) [1791340000](#) [NLDFT-3-BL-L-S120-M40A](#) [NLDFT-N-](#)
[W-L-C240-M40B](#) [NLS-2-R-C240-M40B](#) [NLS-N-W-C240-M40B](#) [NPS-3-BL-T6](#) [1986615-1](#) [2-1589900-8](#) [2199314-1](#) [KA8102](#)