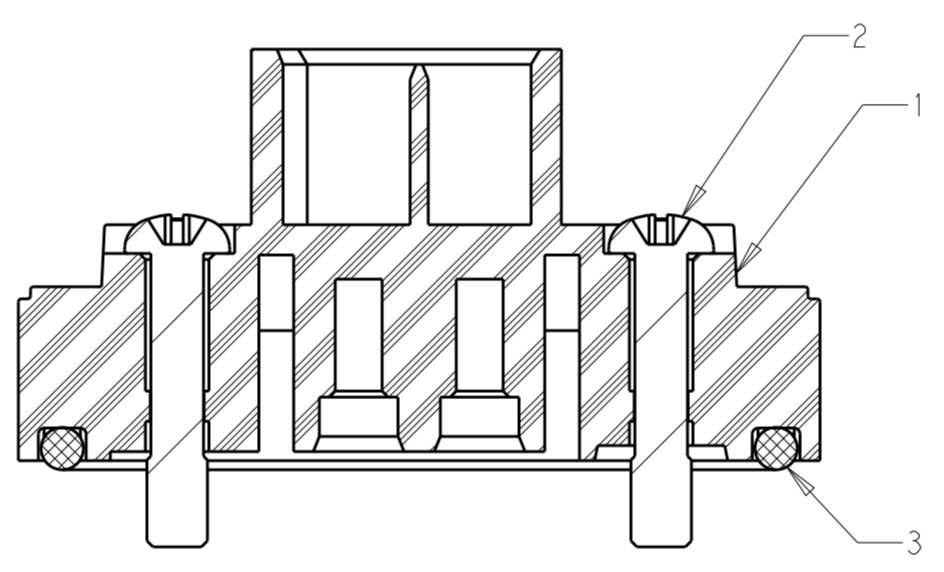
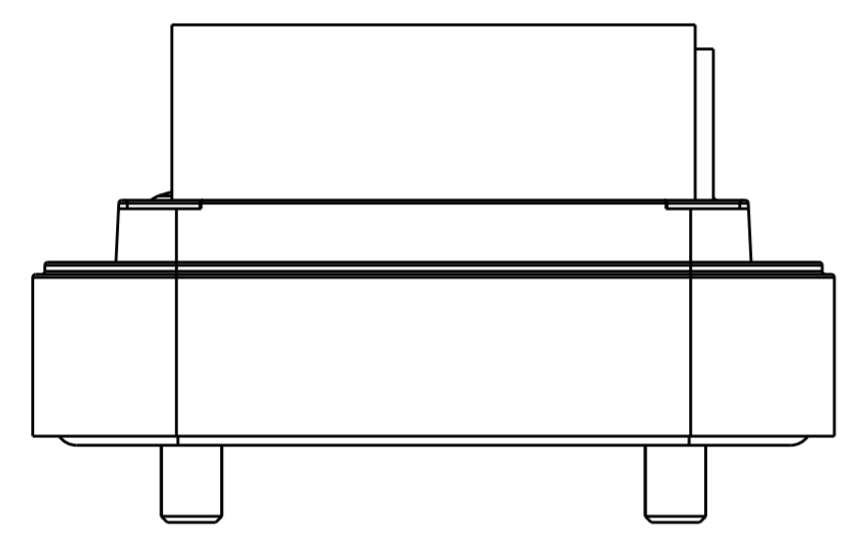
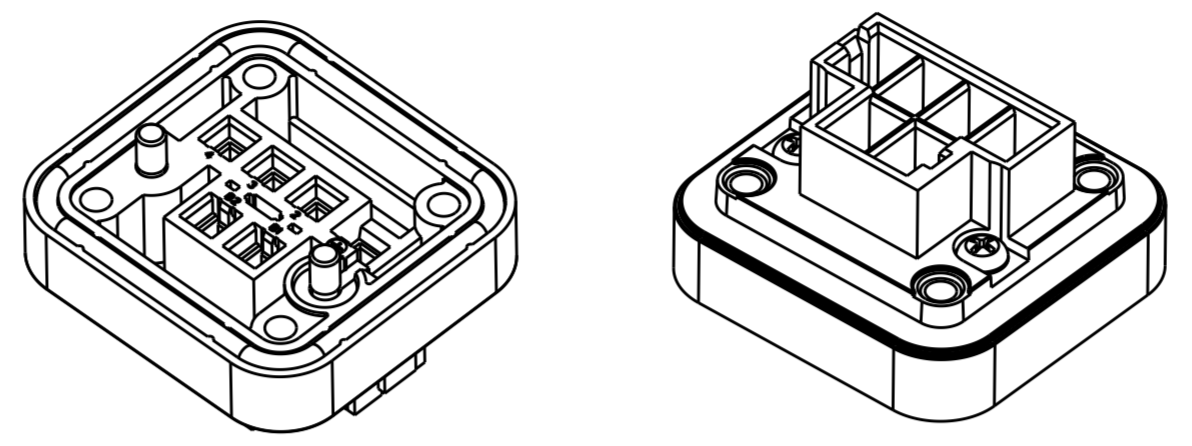
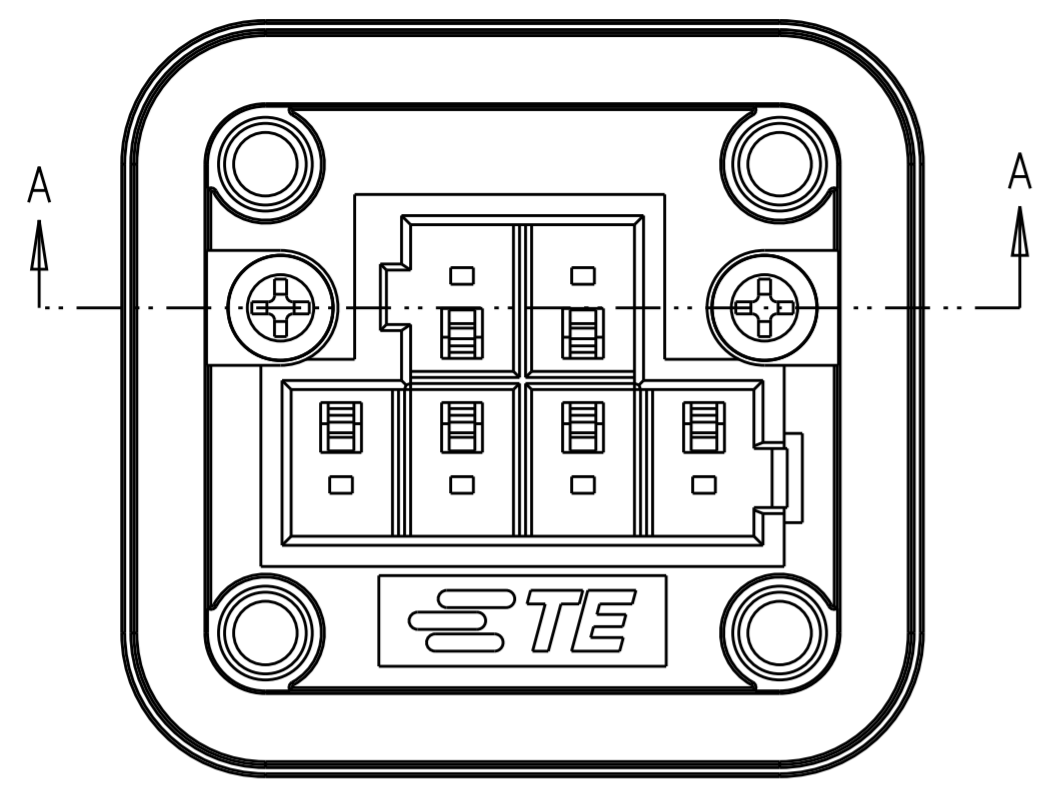
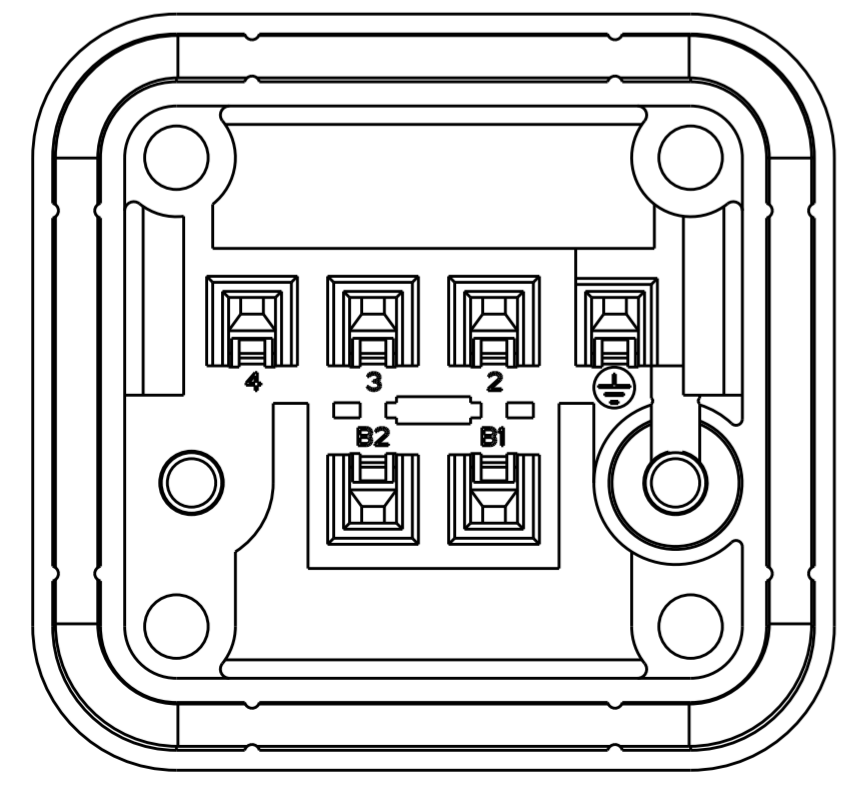
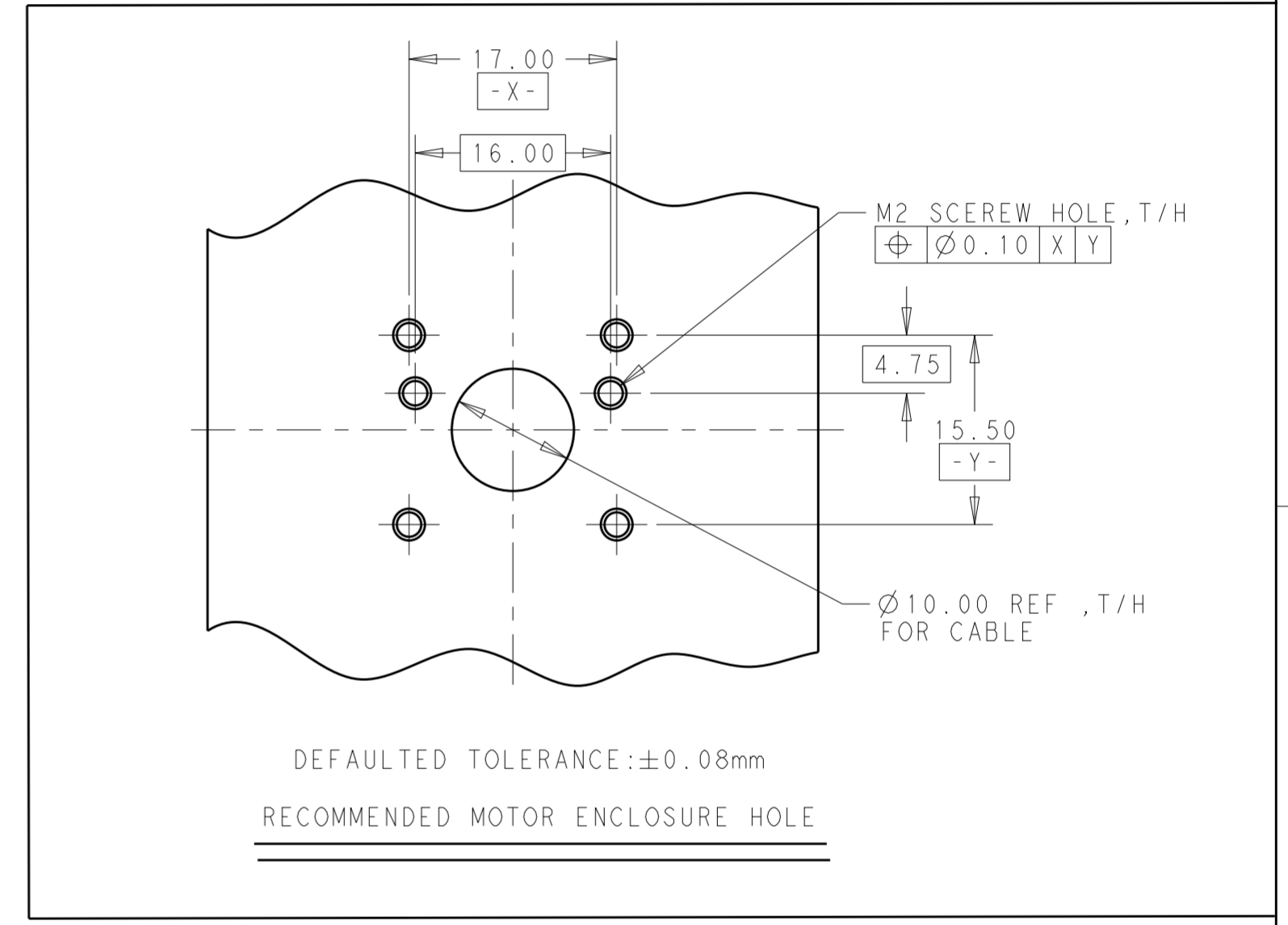


THIS DRAWING IS UNPUBLISHED. RELEASED FOR PUBLICATION 20  
 © COPYRIGHT 20 BY - ALL RIGHTS RESERVED.

REVISIONS				
P	LTR	DESCRIPTION	DATE	APVD
A		INITIAL RELEASED	1 JUN 2015	W. N X. X



SECTION A-A



- NOTES
- 1 THE SCREW IS INSTALLED WHILE ROTATING ACCORDING TO SCREW PITCH (0.4mm/rev) WHEN THE SCREW IS INSTALLED, THE PROJECTION TO FIX THE SCREW IN THE CASE IS NOT DESTROYED
  - 2 COMPLIES WITH DIRECTIVES 2002/95/EC (ROHS)
  - 3 2271280-1 BOM SEE BELOW TABLE

ITEM	DESCRIBE	QUANTITY
3	POWER SEALING RING	1
2	M2 SCREW	2
1	PLUG HOUSING	1

THIS DRAWING IS A CONTROLLED DOCUMENT.		DWN Ning Wang 14MAY2015	<b>STE</b> TE Connectivity			
		CHK Kobby Zhao 14MAY2015				
		APVD Xiang Xu 14MAY2015	NAME CUSTOMER DRAWING FOR MMC MOTOR SIDE SUB ASSEMBLY			
DIMENSIONS: mm		PRODUCT SPEC 108-137039	SIZE A2	CAGE CODE -	DRAWING NO. C-2271280	RESTRICTED TO -
TOLERANCES UNLESS OTHERWISE SPECIFIED:		APPLICATION SPEC 114-137039	SCALE 2:1	SHEET 1 OF 1	REV A	
MATERIAL TBD		WEIGHT -	CUSTOMER DRAWING			

## X-ON Electronics

Largest Supplier of Electrical and Electronic Components

*Click to view similar products for [Heavy Duty Power Connectors](#) category:*

*Click to view products by [TE Connectivity](#) manufacturer:*

Other Similar products are found below :

[647757-1](#) [6643411-1](#) [6646058-2](#) [6646137-1](#) [6646138-1](#) [6646479-1](#) [6646608-1](#) [6646786-1](#) [6646940-1](#) [6651091-1](#) [6651525-1](#) [6651529-1](#)  
[6651788-1](#) [696475-1](#) [702-32-01109](#) [703-25-02205](#) [73000005059](#) [73000005642](#) [73080255059](#) [73080965046](#) [765-15-0080A](#) [765-16-0080B](#)  
[765-18-0080D](#) [829992-1](#) [902-77-02113](#) [PS00/A0620/6300](#) [PS25/A0420/63](#) [129-1J](#) [1409400](#) [AN0024023](#) [E6374G1](#) [e6389g2](#) [157-43GW8](#)  
[MS3117-14AC](#) [1643543-1](#) [1650540-1](#) [1651811-2](#) [1766260-1](#) [1766282-1](#) [1766966-1](#) [1791340000](#) [NLDFT-3-BL-L-S120-M40A](#) [NLDFT-N-](#)  
[W-L-C240-M40B](#) [NLS-2-R-C240-M40B](#) [NLS-N-W-C240-M40B](#) [NPS-3-BL-T6](#) [1986615-1](#) [2-1589900-8](#) [2199314-1](#) [KA8102](#)