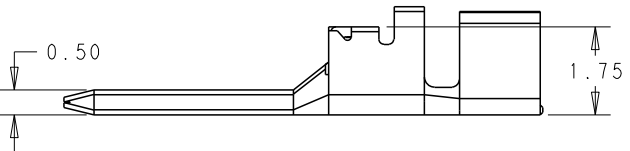
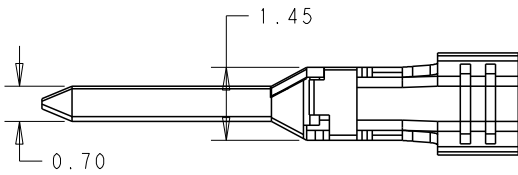
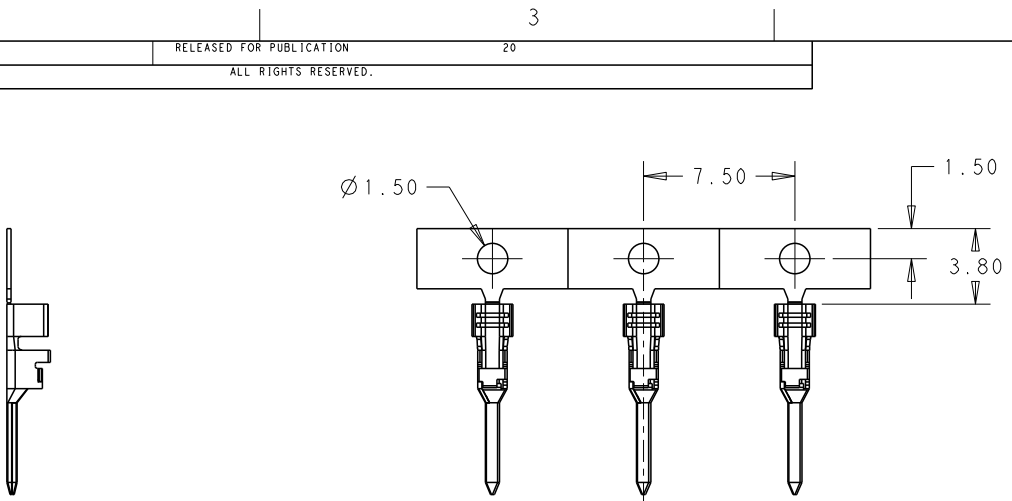



THIS DRAWING IS UNPUBLISHED. RELEASED FOR PUBLICATION 20
 © COPYRIGHT 20 BY - ALL RIGHTS RESERVED.

REVISIONS				
P	LTR	DESCRIPTION	DATE	DWN APVD
	A	INITIAL RELEASED	1 JUN 2015	N. WX. X



- NOTES
- ① MATERIAL: PHOSPHOR BRONZE, THICKNESS: 0.20 ± 0.01 mm
 - ② FINISH: NICKEL PLATED ALL OVER
GOLD PLATED AT CONTACT AREA
 - ③ WIRE SIZE: 22AWG~18AWG ($0.32 \text{mm}^2 \sim 0.75 \text{mm}^2$)

①	②	2271283-2
MATERIAL/FINISH		P/N

THIS DRAWING IS A CONTROLLED DOCUMENT.		DWN	10-Jun-15	 TE Connectivity	NAME TAB TERMINAL FOR MICRO MOTOR POWER CONNECTOR
DIMENSIONS: mm		CHK	10-Jun-15		
TOLERANCES UNLESS OTHERWISE SPECIFIED:		APVD	10-Jun-15		
0 PLC \pm - 1 PLC \pm - 2 PLC ± 0.20 3 PLC \pm - 4 PLC \pm - ANGLES \pm - FINISH		PRODUCT SPEC	108-137039		
MATERIAL	-	APPLICATION SPEC	114-137039	SIZE	A3
		WEIGHT	-	CAGE CODE	-
		Customer Drawing		DRAWING NO	C=2271283
				RESTRICTED TO	-
				SCALE	4:1
				SHEET	1 OF 1
				REV	A

X-ON Electronics

Largest Supplier of Electrical and Electronic Components

Click to view similar products for [Heavy Duty Power Connectors](#) category:

Click to view products by [TE Connectivity](#) manufacturer:

Other Similar products are found below :

[647757-1](#) [6643411-1](#) [6646058-2](#) [6646137-1](#) [6646138-1](#) [6646479-1](#) [6646608-1](#) [6646786-1](#) [6646940-1](#) [6651091-1](#) [6651525-1](#) [6651529-1](#)
[6651788-1](#) [696475-1](#) [702-32-01109](#) [703-25-02205](#) [73000005059](#) [73000005642](#) [73080255059](#) [73080965046](#) [765-15-0080A](#) [765-16-0080B](#)
[765-18-0080D](#) [829992-1](#) [902-77-02113](#) [PS00/A0620/6300](#) [PS25/A0420/63](#) [129-1J](#) [1409400](#) [AN0024023](#) [E6374G1](#) [e6389g2](#) [157-43GW8](#)
[MS3117-14AC](#) [1643543-1](#) [1650540-1](#) [1651811-2](#) [1766260-1](#) [1766282-1](#) [1766966-1](#) [1791340000](#) [NLDFT-3-BL-L-S120-M40A](#) [NLDFT-N-](#)
[W-L-C240-M40B](#) [NLS-2-R-C240-M40B](#) [NLS-N-W-C240-M40B](#) [NPS-3-BL-T6](#) [1986615-1](#) [2-1589900-8](#) [2199314-1](#) [KA8102](#)