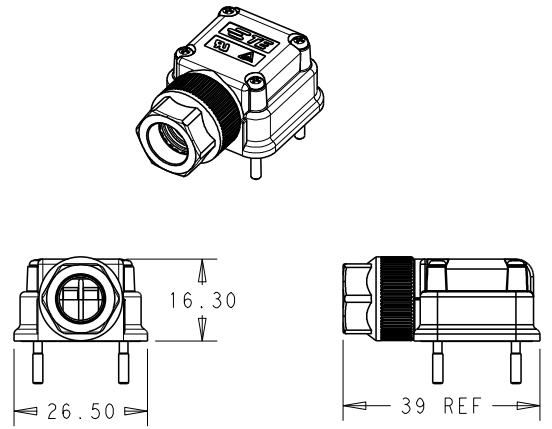
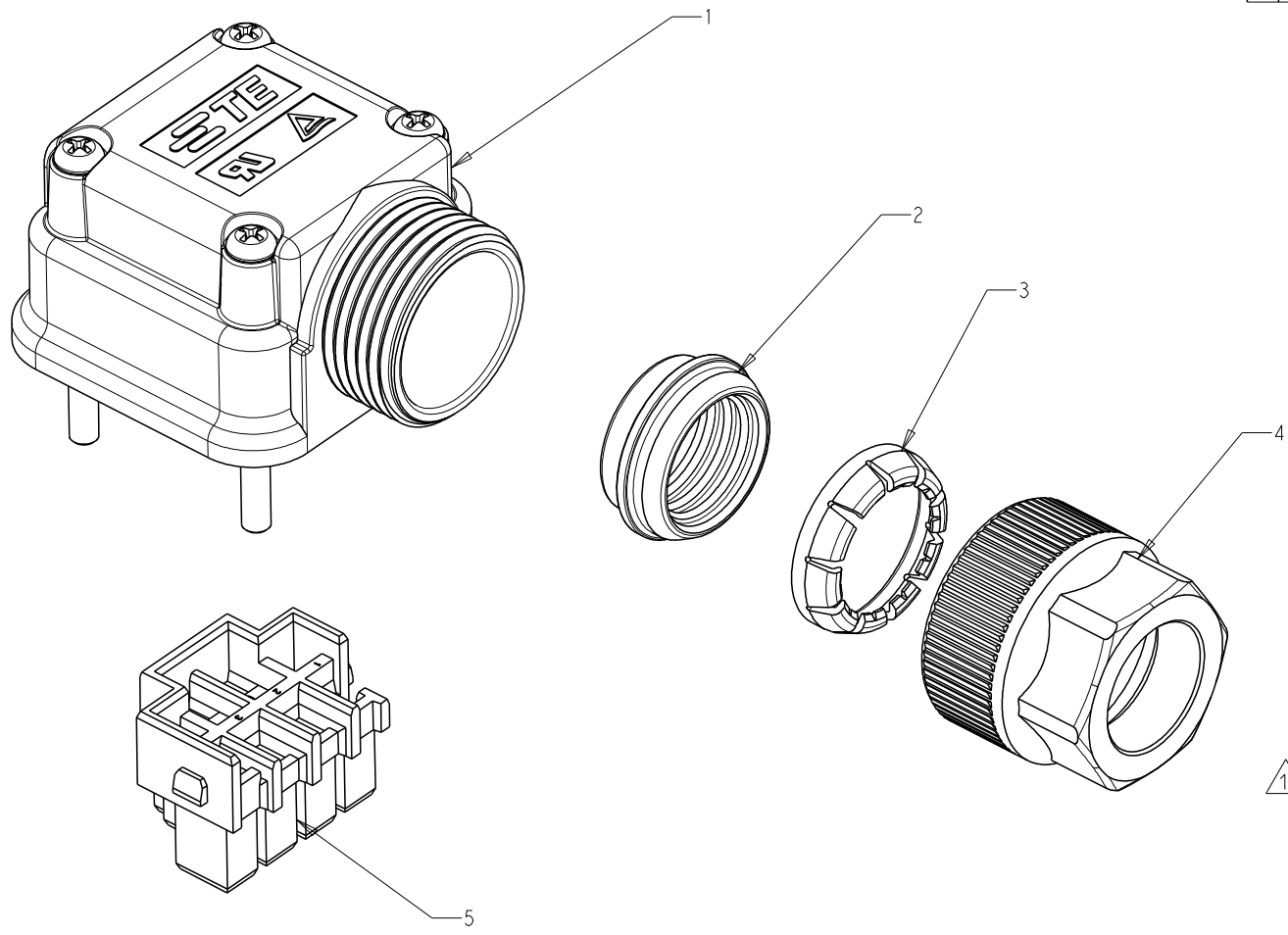


THIS DRAWING IS UNPUBLISHED. RELEASED FOR PUBLICATION 20
 (C) COPYRIGHT 20 BY - ALL RIGHTS RESERVED.

REVISIONS				
P	LTR	DESCRIPTION	DATE	APVD
A		INITIAL RELEASED	1JUN2015	W.N.X.X




DEFAULTED TOLERANCE: ±0.20mm

AFTER CUSTOMER ASSEMBLY

NOTES
 1 COMPLIES WITH DIRECTIVES 2002/95/EC (ROHS)

2271522-1 BOM

ITEM	QUANTITY	PART DESCRIBE
5	1	REC. HOUSING
4	1	CABLE NUT
3	1	CABLE CLAMP
2	1	CABLE SEALING
1	1	POWER SUB ASSEMBLY

THIS DRAWING IS A CONTROLLED DOCUMENT.		DWN 08MAY2015 Ning Wang	 TE Connectivity		
DIMENSIONS: mm		CHK 08MAY2015 Kobby Zhao			NAME ASSEMBLY DRAWING FOR MMC CABLE SIDE WITHOUT TERMINALS
TOLERANCES UNLESS OTHERWISE SPECIFIED:		APVD 08MAY2015 Xiang Xu			
0 PLC ±- 1 PLC ±- 2 PLC ±- 3 PLC ±- 4 PLC ±- ANGLES ±- FINISH -		PRODUCT SPEC 108-137039 APPLICATION SPEC 114-137039 WEIGHT -			SIZE A3 CAGE CODE - DRAWING NO C-2271522 RESTRICTED TO -
MATERIAL TBD		Customer Drawing		SCALE 1:1 SHEET 1 OF 1 REV A	

X-ON Electronics

Largest Supplier of Electrical and Electronic Components

Click to view similar products for [Heavy Duty Power Connectors](#) category:

Click to view products by [TE Connectivity](#) manufacturer:

Other Similar products are found below :

[647757-1](#) [6643411-1](#) [6646058-2](#) [6646137-1](#) [6646138-1](#) [6646479-1](#) [6646608-1](#) [6646786-1](#) [6646940-1](#) [6651091-1](#) [6651525-1](#) [6651529-1](#)
[6651788-1](#) [696475-1](#) [702-32-01109](#) [703-25-02205](#) [73000005059](#) [73000005642](#) [73080255059](#) [73080965046](#) [765-15-0080A](#) [765-16-0080B](#)
[765-18-0080D](#) [829992-1](#) [902-77-02113](#) [PS00/A0620/6300](#) [PS25/A0420/63](#) [129-1J](#) [1409400](#) [AN0024023](#) [E6374G1](#) [e6389g2](#) [157-43GW8](#)
[MS3117-14AC](#) [1643543-1](#) [1650540-1](#) [1651811-2](#) [1766260-1](#) [1766282-1](#) [1766966-1](#) [1791340000](#) [NLDFT-3-BL-L-S120-M40A](#) [NLDFT-N-](#)
[W-L-C240-M40B](#) [NLS-2-R-C240-M40B](#) [NLS-N-W-C240-M40B](#) [NPS-3-BL-T6](#) [1986615-1](#) [2-1589900-8](#) [2199314-1](#) [KA8102](#)