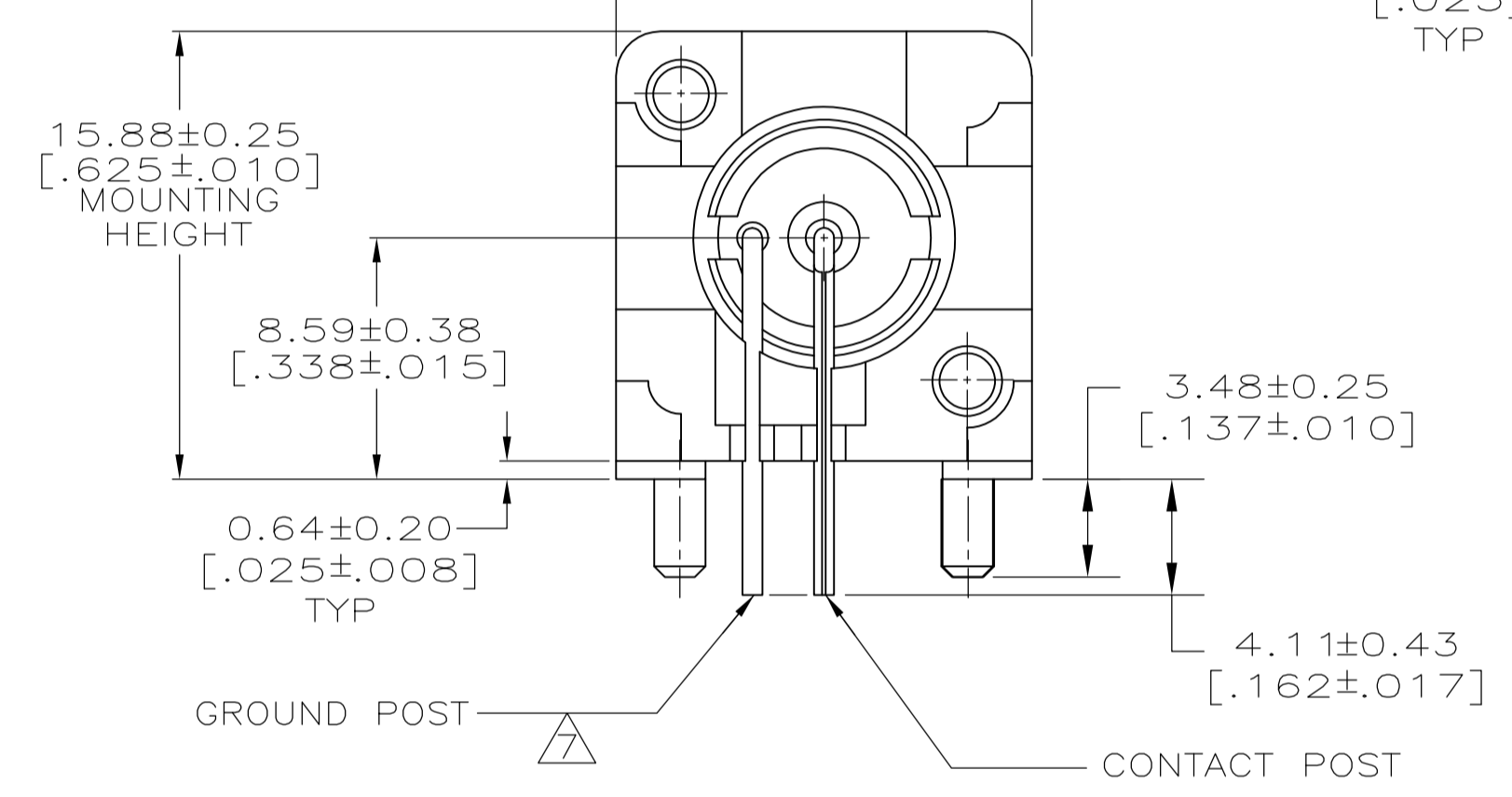
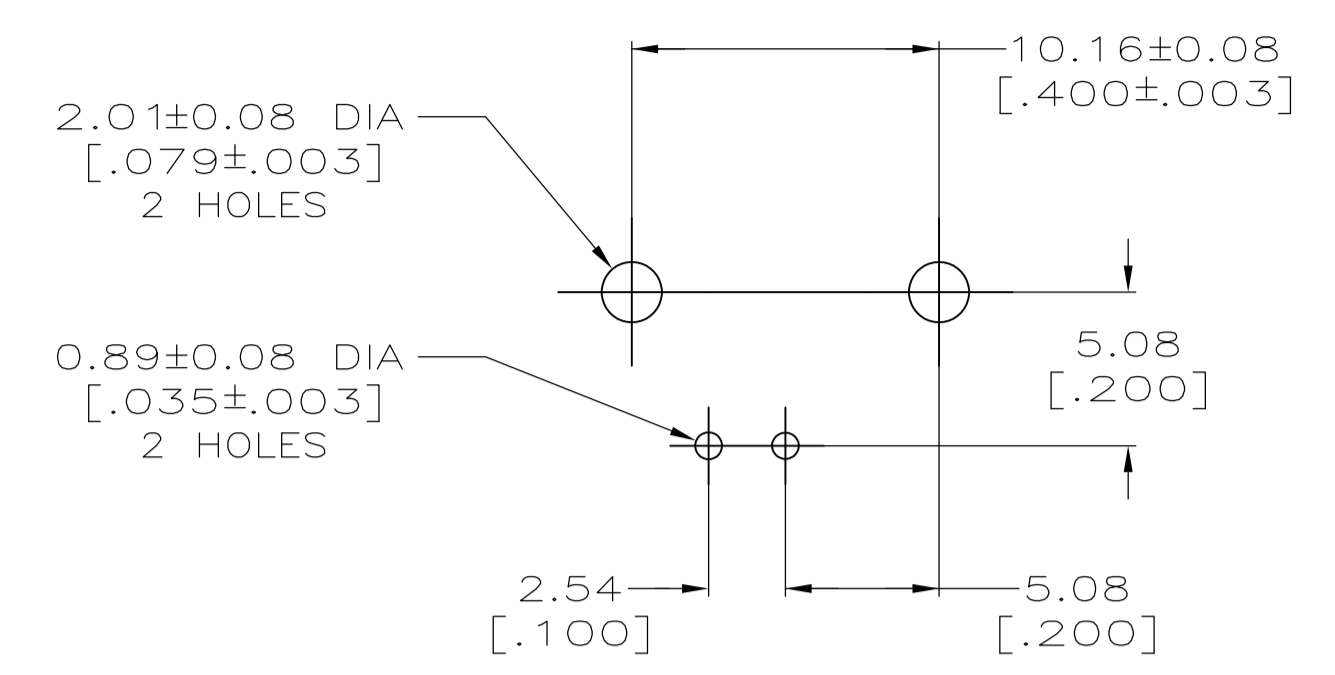
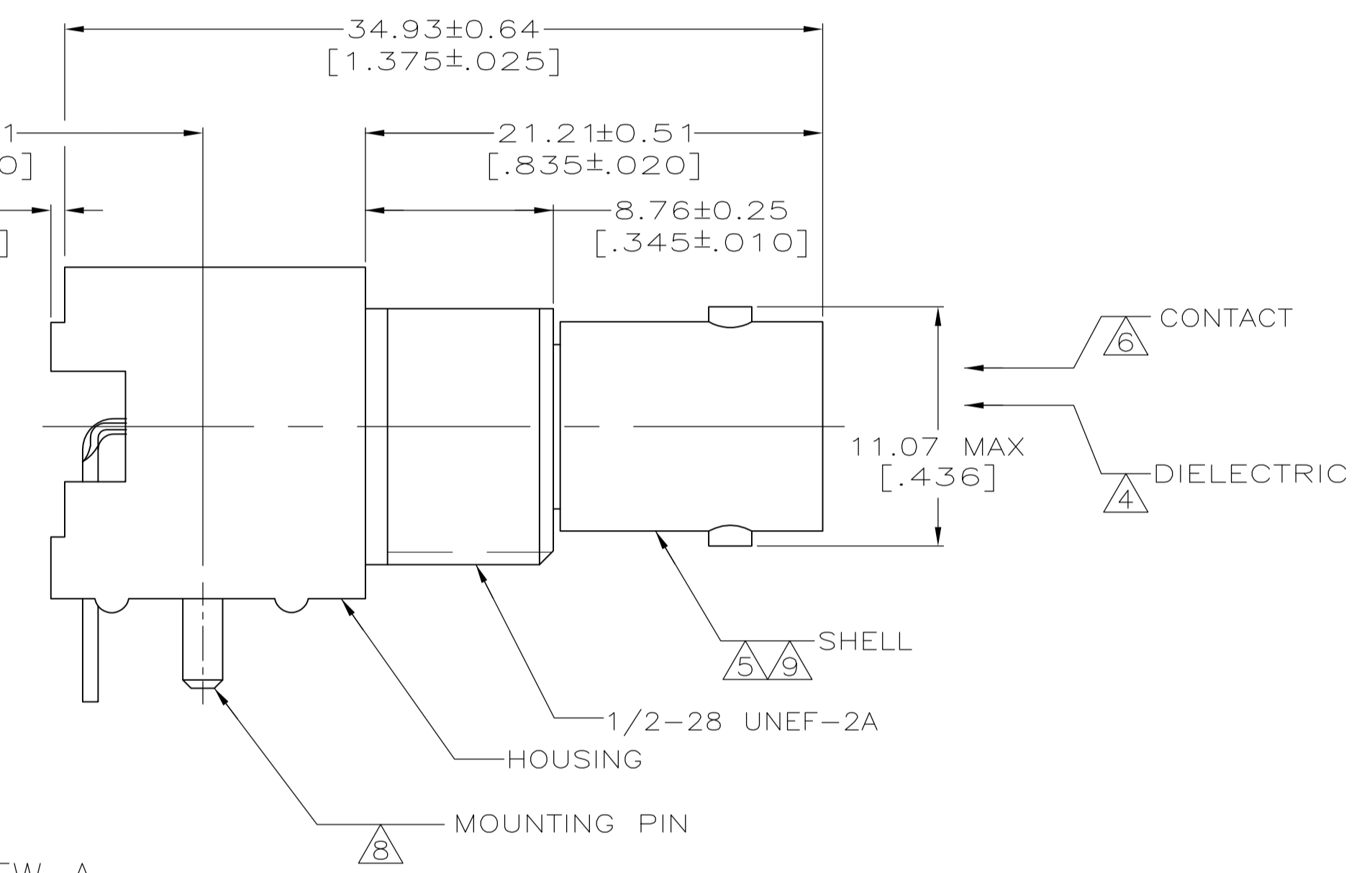
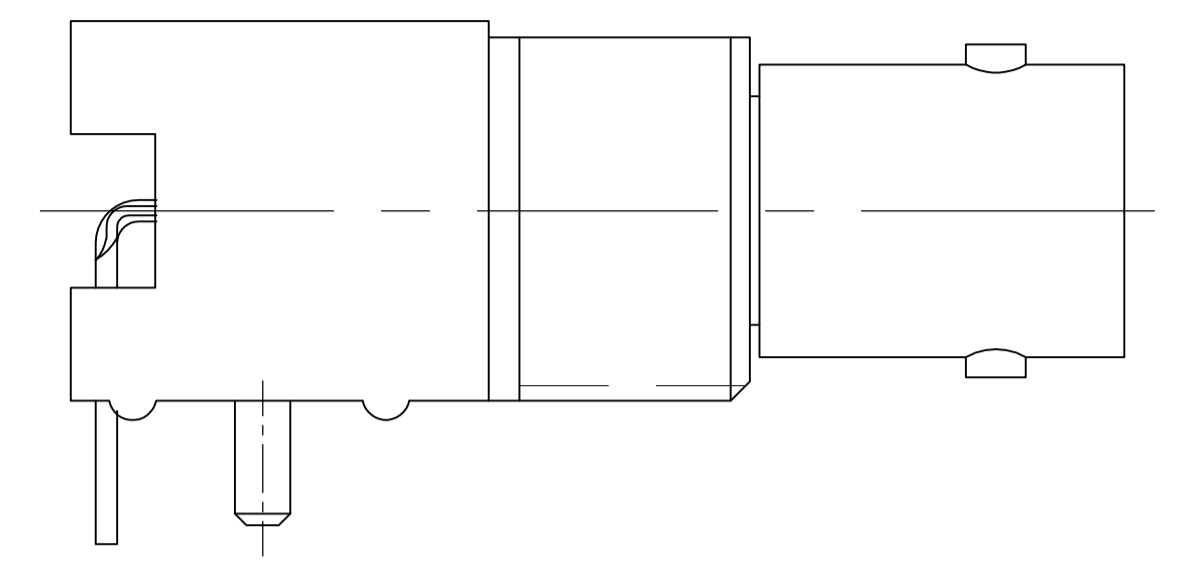


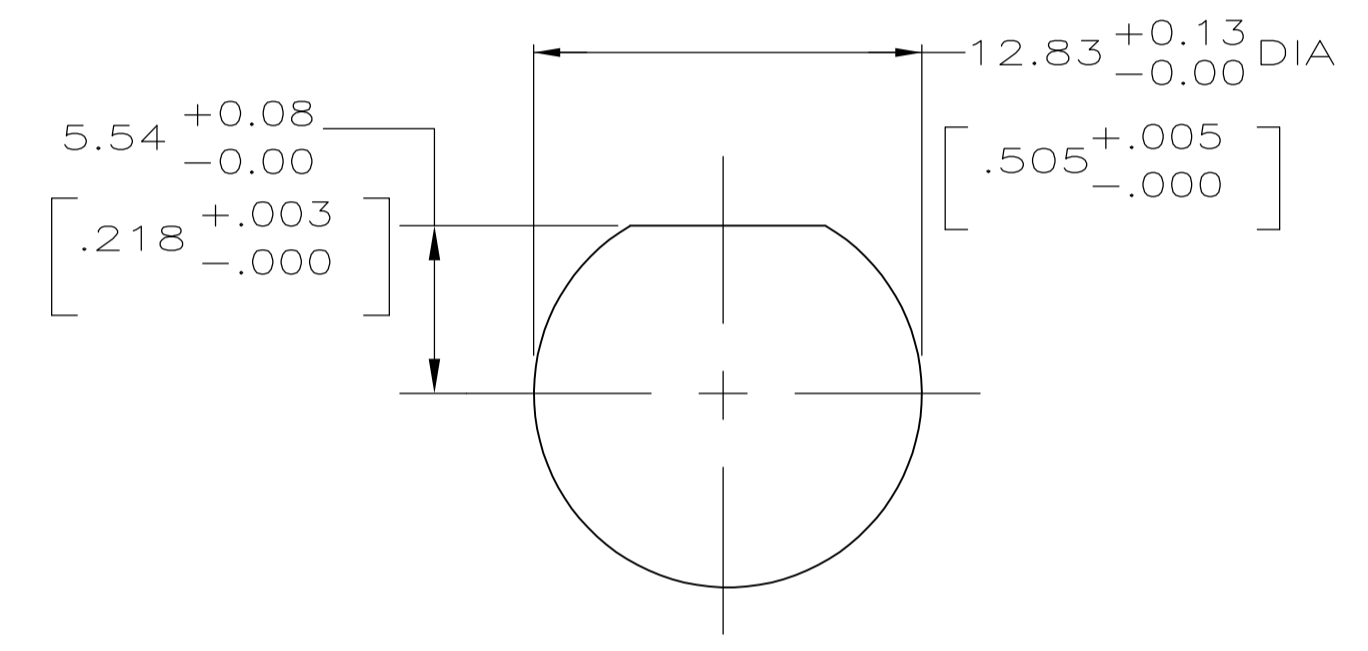
VIEW C  
(SAME AS VIEW A EXCEPT AS SHOWN)



VIEW A

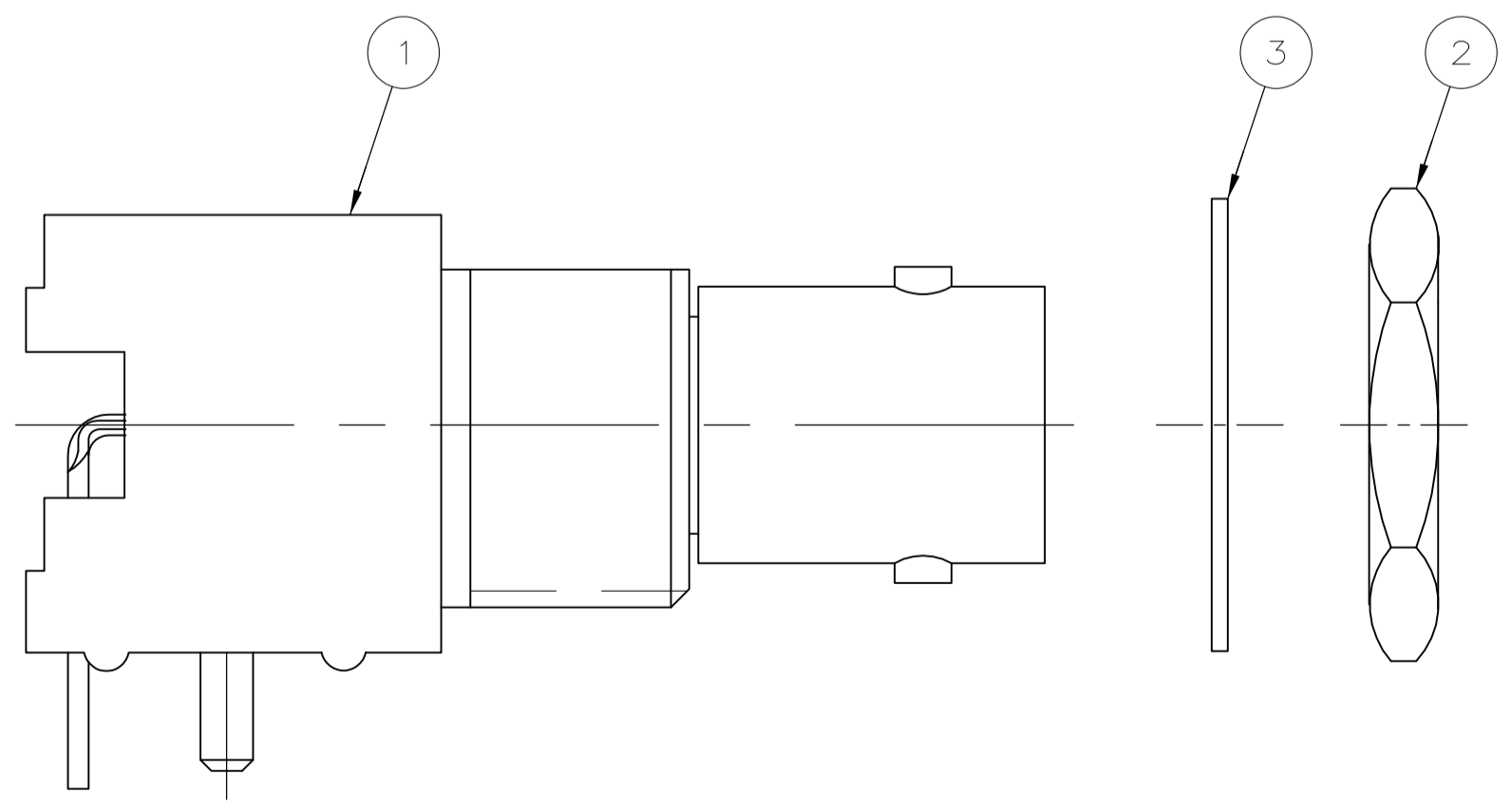


PCB CONFIGURATION



RECOMMENDED PANEL CUTOUT

- 1 POLYESTER PBT PER MIL-M-24519, TYPE GPT-15F, UL94V-0 RATED, COLOR:WHITE
- 2 POLYESTER PBT PER MIL-M-24519, TYPE GPT-15F, UL94V-0 RATED, COLOR:BLACK
- 3 POLYESTER PCT GENERAL PURPOSE, 30% GLASS FILLED, UL94V-0 RATED, COLOR:GRAY
- 4 POLYMETHYLPENTENE, GENERAL PURPOSE.
- 5 ZINC PER QQ-Z-363.
- 6 PHOSPHOR BRONZE PER QQ-B-750.
- 7 BRASS PER ASTM-B-453.
- 8 BRASS PER ASTM-B-16.
- 9 NICKEL PLATE PER QQ-N-290, 3.81 μm [.000150] MINIMUM THICK.
- 10 TIN PLATE PER ASTM-B-545, 3.81 μm [.000150] MINIMUM THICK.
- 11 GOLD PLATE PER MIL-G-45204, 0.76 μm [.000030] MINIMUM THICK.
- 12 GOLD PLATE PER MIL-G-45204, 1.27 μm [.000050] MINIMUM THICK.
- 13 SILVER PLATE PER QQ-S-365, 2.54 μm [.000100] MINIMUM THICK.
- 14 TIN PLATE PER ASTM-B-545, 3.81 μm [.000150] MINIMUM THICK.
- 15. SEE INSTRUCTION SHEET 2769.
- 16 OBSOLETE PARTS: OBSOLETE CIS STREAMLINING PER D.RENAUD/D.SINISI



VIEW B

SUPERSEDED BY 5227161-2	14	14	14	14	2	A	-	-	-	9-227161-1
SUPERSEDED BY 5227161-1	14	14	14	14	1	A	-	-	-	9-227161-0
SUPERSEDED BY 1-5227161-7	10	10	10	-	-	B	1-329632-2	1-329631-2	227161-9	1-227161-7
SUPERSEDED BY 1-5227161-6	10	10	10	-	-	B	1-329632-2	1-329631-2	227161-6	1-227161-6
OBSOLETE	10	10	10	12	1	A	-	-	-	1-227161-4
SUPSD BY 415218-5 OR 415218-6	10	10	10	11	3	C	-	-	-	1-227161-3
SUPERSEDED BY 227161-7	10	10	10	-	-	B	1-329632-2	1-329631-2	1-227161-1	1-227161-2
OBSOLETE	10	10	10	-	-	B	1-329632-2	1-329631-2	227161-3	1-227161-0
SUPERSEDED BY 227161-7	10	10	10	-	2	B	1-329632-2	1-329631-2	227161-7	227161-9
	10	10	10	11	1	C	-	-	-	227161-6
	10	10	10	11	2	A	-	-	-	227161-5
SUPERSEDED BY 227161-3	10	10	10	13	1	A	-	-	-	227161-4
SUPERSEDED BY 227161-6	10	10	10	13	2	A	-	-	-	227161-4
SUPERSEDED BY 5227161-3	10	10	10	11	1	A	-	-	-	227161-3
	10	10	10	10	2	A	-	-	-	227161-2
	10	10	10	10	1	A	-	-	-	227161-1
	10	10	10	10	2	A	-	-	-	227161-2
	10	10	10	10	1	A	-	-	-	227161-1
	10	10	10	10	2	A	-	-	-	227161-2
	10	10	10	10	1	A	-	-	-	227161-1
	10	10	10	10	2	A	-	-	-	227161-2
	10	10	10	10	1	A	-	-	-	227161-1
	10	10	10	10	2	A	-	-	-	227161-2
	10	10	10	10	1	A	-	-	-	227161-1
	10	10	10	10	2	A	-	-	-	227161-2
	10	10	10	10	1	A	-	-	-	227161-1
	10	10	10	10	2	A	-	-	-	227161-2
	10	10	10	10	1	A	-	-	-	227161-1
	10	10	10	10	2	A	-	-	-	227161-2
	10	10	10	10	1	A	-	-	-	227161-1
	10	10	10	10	2	A	-	-	-	227161-2
	10	10	10	10	1	A	-	-	-	227161-1
	10	10	10	10	2	A	-	-	-	227161-2
	10	10	10	10	1	A	-	-	-	227161-1
	10	10	10	10	2	A	-	-	-	227161-2
	10	10	10	10	1	A	-	-	-	227161-1
	10	10	10	10	2	A	-	-	-	227161-2
	10	10	10	10	1	A	-	-	-	227161-1
	10	10	10	10	2	A	-	-	-	227161-2
	10	10	10	10	1	A	-	-	-	227161-1
	10	10	10	10	2	A	-	-	-	227161-2
	10	10	10	10	1	A	-	-	-	227161-1
	10	10	10	10	2	A	-	-	-	227161-2
	10	10	10	10	1	A	-	-	-	227161-1
	10	10	10	10	2	A	-	-	-	227161-2
	10	10	10	10	1	A	-	-	-	227161-1
	10	10	10	10	2	A	-	-	-	227161-2
	10	10	10	10	1	A	-	-	-	227161-1
	10	10	10	10	2	A	-	-	-	227161-2
	10	10	10	10	1	A	-	-	-	227161-1
	10	10	10	10	2	A	-	-	-	227161-2
	10	10	10	10	1	A	-	-	-	227161-1
	10	10	10	10	2	A	-	-	-	227161-2
	10	10	10	10	1	A	-	-	-	227161-1
	10	10	10	10	2	A	-	-	-	227161-2
	10	10	10	10	1	A	-	-	-	227161-1
	10	10	10	10	2	A	-	-	-	227161-2
	10	10	10	10	1	A	-	-	-	227161-1
	10	10	10	10	2	A	-	-	-	227161-2
	10	10	10	10	1	A	-	-	-	227161-1
	10	10	10	10	2	A	-	-	-	227161-2
	10	10	10	10	1	A	-	-	-	227161-1
	10	10	10	10	2	A	-	-	-	227161-2
	10	10	10	10	1	A	-	-	-	227161-1
	10	10	10	10	2	A	-	-	-	227161-2
	10	10	10	10	1	A	-	-	-	227161-1
	10	10	10	10	2	A	-	-	-	227161-2
	10	10	10	10	1	A	-	-	-	227161-1
	10	10	10	10	2	A	-	-	-	227161-2
	10	10	10	10	1	A	-	-	-	227161-1
	10	10	10	10	2	A	-	-	-	227161-2
	10	10	10	10	1	A	-	-	-	227161-1
	10	10	10	10	2	A	-	-	-	227161-2
	10	10	10	10	1	A	-	-	-	227161-1
	10	10	10	10	2	A	-	-	-	227161-2
	10	10	10	10	1	A	-	-	-	227161-1
	10	10	10	10	2	A	-	-	-	227161-2
	10	10	10	10	1	A	-	-	-	227161-1
	10	10	10	10	2	A	-	-	-	227161-2
	10	10	10	10	1	A	-	-	-	227161-1
	10	10	10	10	2	A	-	-	-	227161-2
	10	10	10	10	1	A	-	-	-	227161-1
	10	10	10	10	2	A	-	-	-	227161-2
	10	10	10	10	1	A	-	-	-	227161-1
	10	10	10	10	2	A	-	-	-	227161-2
	10	10	10	10	1	A	-	-	-	227161-1
	10	10	10	10	2	A	-	-	-	227161-2
	10	10	10	10	1	A	-	-	-	227161-1
	10	10	10	10	2	A	-	-	-	227161-2
	10	10	10	10	1	A	-	-	-	227161-1
	10	10	10	10	2	A	-	-	-	227161-2
	10	10	10	10	1	A	-	-	-	227161-1
	10	10	10	10	2	A	-	-	-	227161-2
	10	10	10	10	1	A	-	-	-	227161-1
	10	10	10	10	2	A	-	-	-	227161-2
	10	10	10	10	1	A	-	-	-	227161-1
	10	10	10	10	2	A	-	-	-	227161-2
	10	10	10	10	1	A	-	-	-	227161-1
	10	10	10	10	2	A	-	-	-	227161-2
	10	10	10	10	1	A	-	-	-	227161-1
	10	10	10	10	2	A	-	-	-	227161-2
	10	10	10	10	1	A	-	-	-	227161-1
	10	10	10	10	2	A	-	-	-	227161-2
	10	10	10	10	1	A	-	-	-	227161-1
	10	10	10	10	2	A	-	-	-	227161-2
	10	10	10	10	1	A	-	-	-	227161-1
	10	10	10	10	2	A	-	-	-	227161-2
	10	10	10	10	1	A	-	-	-	227161-1
	10	10	10	10	2	A	-	-	-	227161-2
	10	10	10	10	1	A	-	-	-	227161-1
	10	10	10	10	2	A	-	-	-	227161-2
	10	10	10	10	1	A	-	-	-	227161-1
	10	10	10	10	2	A	-	-	-	227161-2
	10	10	10	10	1	A	-	-	-	227161-1

## X-ON Electronics

Largest Supplier of Electrical and Electronic Components

*Click to view similar products for [RF Connectors](#) / [Coaxial Connectors](#) category:*

*Click to view products by [TE Connectivity](#) manufacturer:*

Other Similar products are found below :

[8915-1511-000](#) [89674-0827](#) [6001-7071-019](#) [6002-7051-003](#) [6002-7551-202](#) [6059674-1](#) [619550-1](#) [630059-000](#) [M39030/3-01N](#) [6500-7071-046](#) [6769](#) [CX050L2AQ](#) [7002-1541-010](#) [7002-1542-011](#) [7004-1512-000](#) [7009-1511-004](#) [7010-1511-000](#) [7029-1511-060](#) [7101-1541-010](#) [7101-1571-002](#) [7145-1521-002](#) [7203-1571-003](#) [7209-1511-011](#) [7210-1511-015](#) [7210-1511-019](#) [73137-5015](#) [73216-2241](#) [73404-2300](#) [7405-1521-005](#) [7405-1521-802](#) [8527](#) [8547](#) [FS11V](#) [877931](#) [8808-1511-001](#) [9049-9513-000](#) [9074-9513-000](#) [9101-9573-002](#) [910A205F](#) [9130-9573-002](#) [PL11SC-026](#) [PL375-33](#) [PL40-5](#) [PL74C-221](#) [PL75MC-217](#) [PL803-7](#) [1200690078](#) [1-201144-1](#) [R107003010W](#) [R110A172100](#)