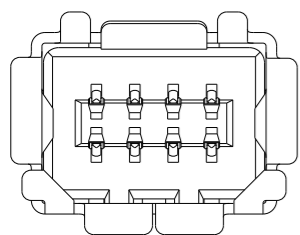
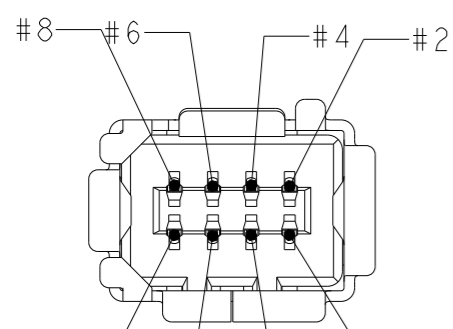
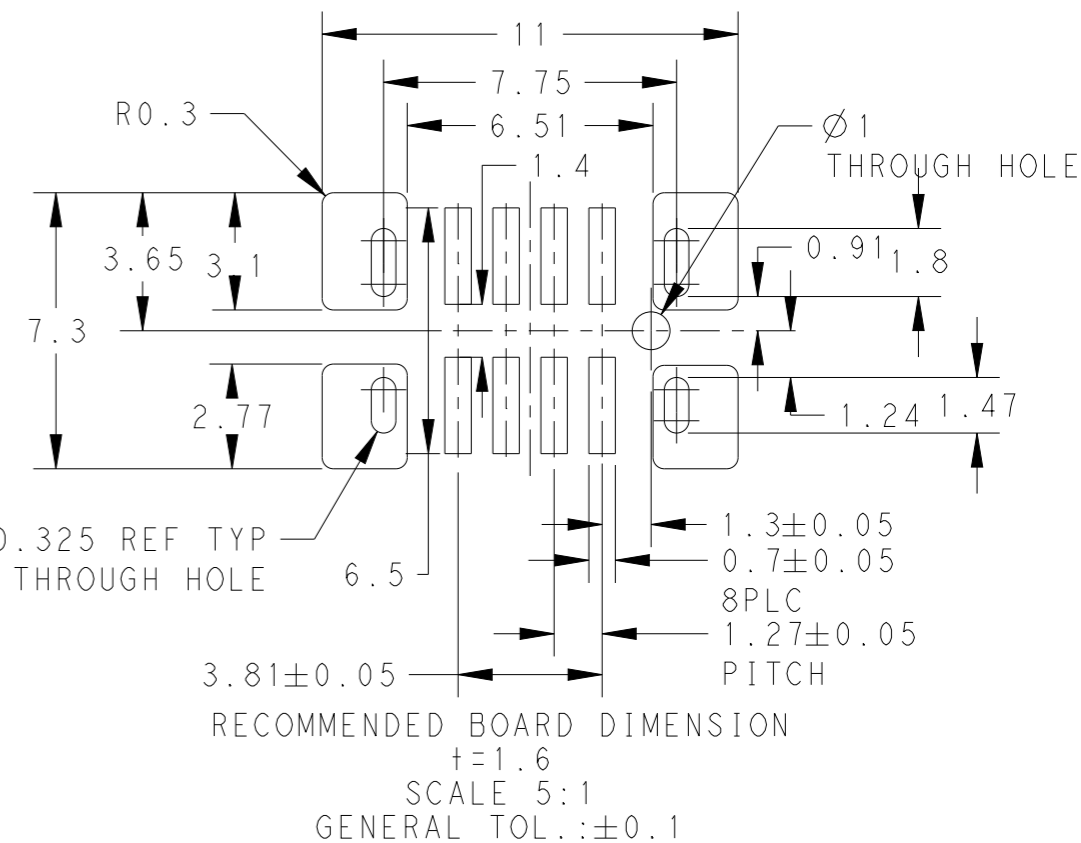
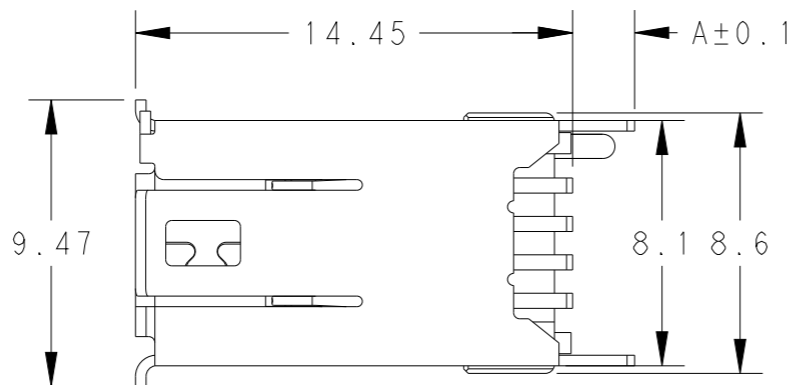


THIS DRAWING IS UNPUBLISHED. RELEASED FOR PUBLICATION  
 © COPYRIGHT - BY - ALL RIGHTS RESERVED.

LOC	DIST	REVISIONS					
		P	LTR	DESCRIPTION	DATE	DWN	APVD
-	-	B		ECR-16-006831 PACKAGE TRAY CHANGE	04MAY2016	L.Z.	X.X.
		C		ECR-18-010755	11NOV2018	GCM	PP
		C1		ADDED NEW PART VARIANT 3--1 AND 3--2	19OCT2020	SS	JDB
		C2		ADDED NEW PART VARIANT 4--1	19MAY2021	SS	JDB

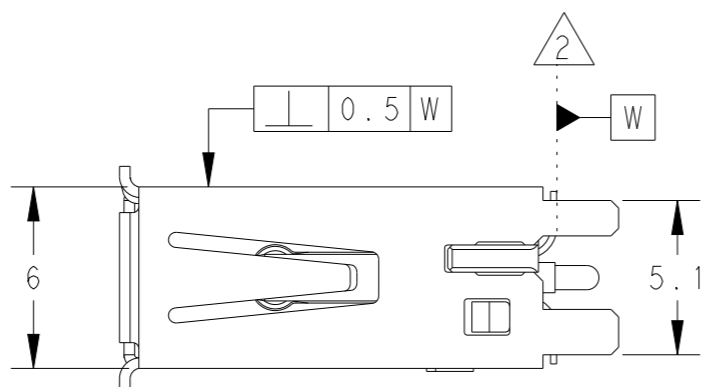


2271656-2  
TYPE II

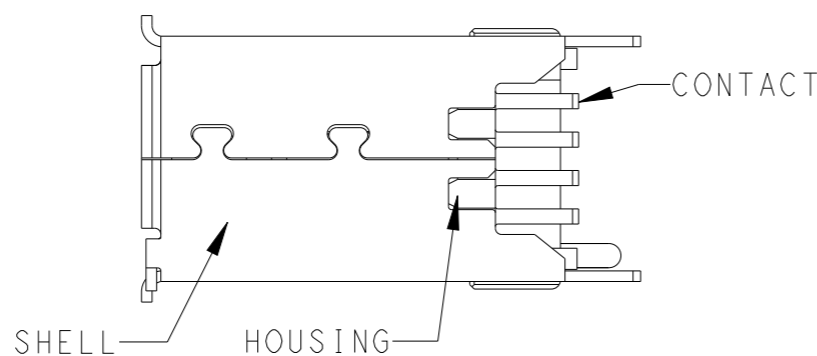
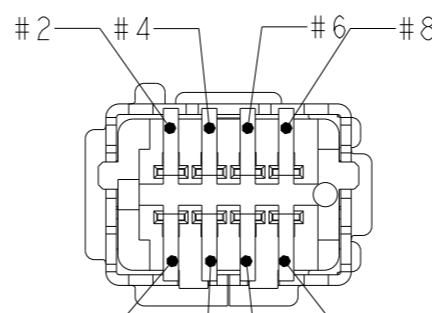


2271656-1  
TYPE I

CIRCUIT NO



CIRCUIT NO



DIM	POS	TOP CONTACT AREA	DESCRIPTION	PART NO	
1.5	8	GOLD 0.5µm MIN	TYPE I SMT RECEPTACLE	4-2271656-1	
PRELIMINARY	2.05	8	GOLD 0.76µm MIN	TYPE II SMT RECEPTACLE WITH EMBOSS TAPE	3-2271656-2
PRELIMINARY	2.05	8	GOLD 0.76µm MIN	TYPE I SMT RECEPTACLE WITH EMBOSS TAPE	3-2271656-1
	2.05	8	GOLD 0.5µm MIN	TYPE II SMT RECEPTACLE WITH CAP ON EMBOSS TAPE	2-2271656-2
	2.05	8	GOLD 0.5µm MIN	TYPE I SMT RECEPTACLE WITH CAP ON EMBOSS TAPE	2-2271656-1
	2.05	8	GOLD 0.5µm MIN	TYPE II SMT RECEPTACLE WITH CAP	1-2271656-2
	2.05	8	GOLD 0.5µm MIN	TYPE I SMT RECEPTACLE WITH CAP	1-2271656-1
	2.05	8	GOLD 0.5µm MIN	TYPE II SMT RECEPTACLE	2271656-2
	2.05	8	GOLD 0.5µm MIN	TYPE I SMT RECEPTACLE	2271656-1

NOTES:  
 1 MATERIAL AND FINISH  
 CONTACT: COPPER ALLOY  
 UNDER ALL SURFACE NICKEL 1.27µm MIN.  
 TOP CONTACT AREA: SEE TABLE  
 SOLDERING AREA: TIN PLATE  
 HOUSING: THERMO PLASTIC (UL94V-0)  
 SHELL: COPPER ALLOY  
 UNDER ALL SURFACE NICKEL  
 TOP ALL SURFACE TIN  
 2 COPLANARITY 0.1 MAX (IN 8 TIPS OF CONTACTS)  
 DATUM -W- IS THE SEATING PLANE FOR ALL 8 CONTACT LEGS  
 3 GENERAL TOL.: ±0.3; ±5°

THIS DRAWING IS A CONTROLLED DOCUMENT.

DWN 01DEC2015 LEAR ZHANG  
 CHK 01DEC2015 KOBBY ZHAO  
 APVD 01DEC2015 XU XIANG

NAME: SMT VERTICAL MINI I/O RECEPTACLE 1.27mm PITCH

TE Connectivity

PRODUCT SPEC 108-106087

APPLICATION SPEC

SIZE A3 CAGE CODE - DRAWING NO C-2271656 RESTRICTED TO -

WEIGHT -

CUSTOMER DRAWING SCALE 4:1 SHEET 1 OF 4 REV C2

DIMENSIONS:	TOLERANCES UNLESS OTHERWISE SPECIFIED:
mm	
	0 PLC ±-
	1 PLC ±-
	2 PLC ±-
	3 PLC ±-
	4 PLC ±-
	ANGLES ±-
MATERIAL	FINISH

4

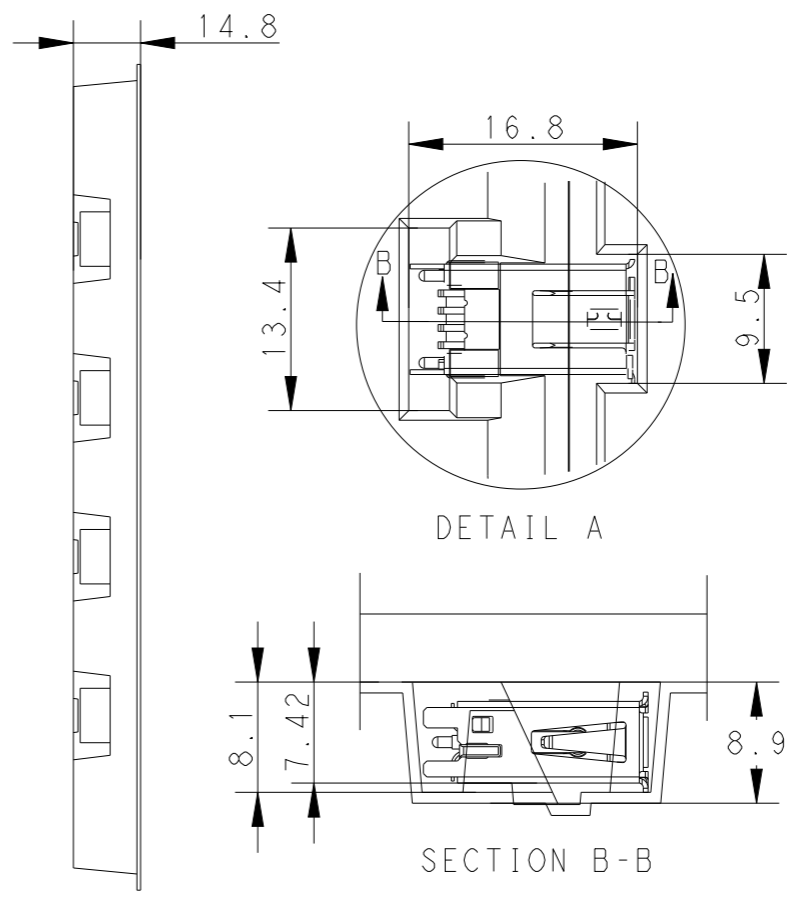
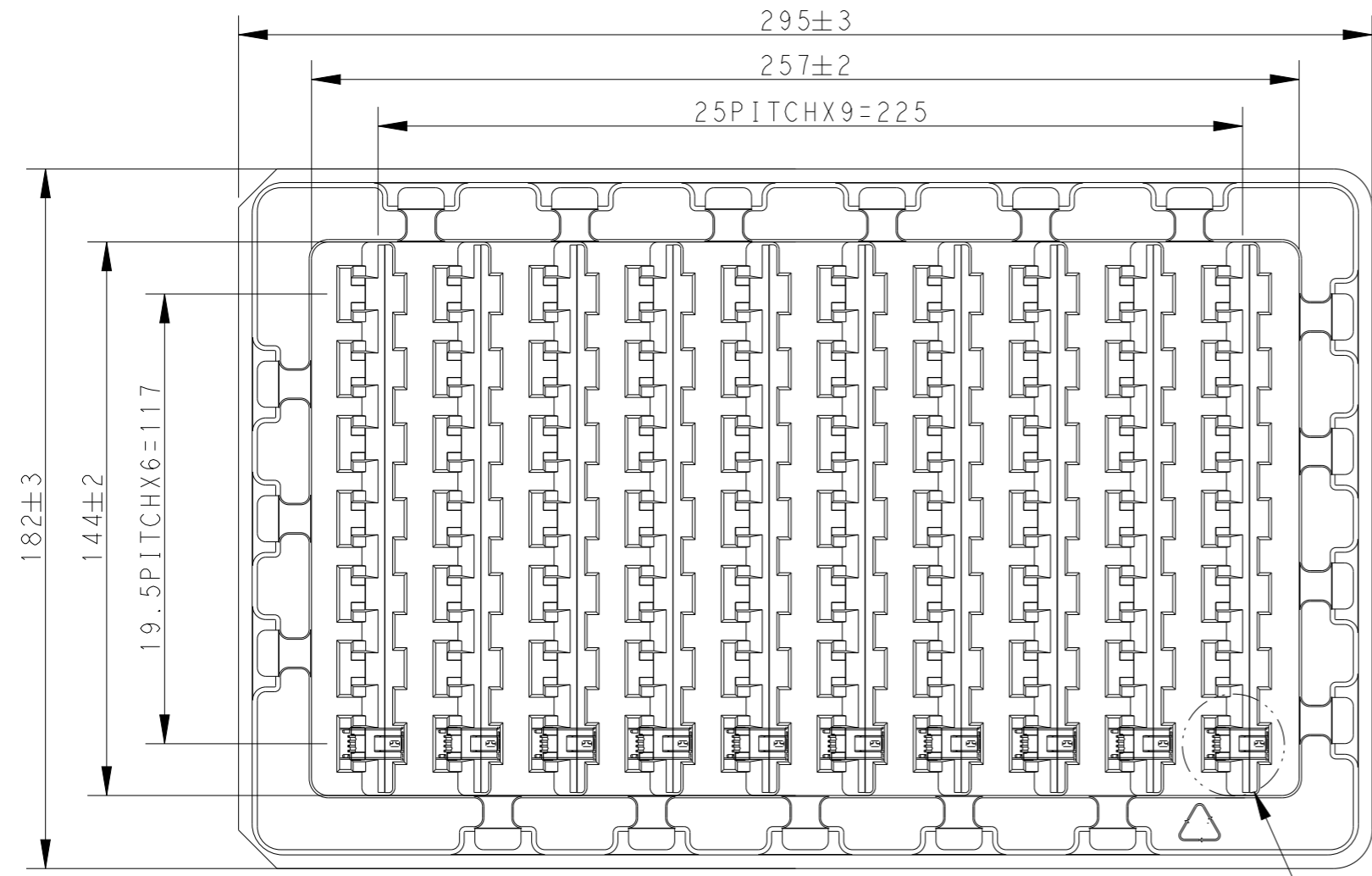
3

2

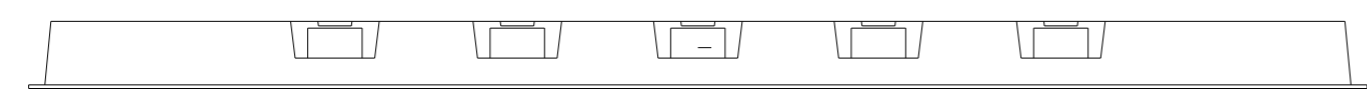
1

THIS DRAWING IS UNPUBLISHED. RELEASED FOR PUBLICATION  
 © COPYRIGHT - BY - ALL RIGHTS RESERVED.

LOC	DIST	REVISIONS			
P	LTR	DESCRIPTION	DATE	DWN	APVD
-	-	SEE SHEET 1	-	-	-



SEE DETAIL A



NOTE:  
 4 PACKAGE:  
 70PCS PER TRAY FOR 2271656-1, 2271656-2  
 AND 4-2271656-1

PACKAGE AS SHOWN	4-2271656-1
	2271656-2
	2271656-1
DESCRIPTION	PART NO

THIS DRAWING IS A CONTROLLED DOCUMENT.		DWN	01DEC2015	TE Connectivity NAME SMT VERTICAL MINI I/O RECEPTACLE 1.27mm PITCH	RESTRICTED TO		
DIMENSIONS: mm		CHK	01DEC2015				
TOLERANCES UNLESS OTHERWISE SPECIFIED:		APVD	01DEC2015				
0 PLC ±- 1 PLC ±- 2 PLC ±- 3 PLC ±- 4 PLC ±- ANGLES ±- MATERIAL - FINISH -		LEAR ZHANG KOBBY ZHAO XU XIANG PRODUCT SPEC 108-106087 APPLICATION SPEC - WEIGHT -	SIZE A3				
CUSTOMER DRAWING		SCALE	4:1	SHEET	2 OF 4	REV	C2

4

3

2

1

THIS DRAWING IS UNPUBLISHED.

RELEASED FOR PUBLICATION

© COPYRIGHT - BY -

ALL RIGHTS RESERVED.

LOC - DIST -

REVISIONS

P	LTR	DESCRIPTION	DATE	DWN	APVD
-	-	SEE SHEET 1	-	-	-

Top view of the SMT vertical mini I/O receptacle tray. The overall width is  $295 \pm 3$  mm and the overall height is  $182 \pm 3$  mm. The inner width is  $257 \pm 2$  mm and the inner height is  $144 \pm 2$  mm. The pitch between columns is  $19.5 \text{ PITCH} \times 12 = 234$  mm. The pitch between rows is  $17 \text{ PITCH} \times 7 = 119$  mm. The drawing shows 12 columns and 7 rows of receptacles. A triangular symbol is located at the bottom right of the tray.

Side view of the receptacle showing a height of 24 mm.

DETAIL C: Top view of a single receptacle showing its rectangular shape and mounting features.

SECTION D-D: Cross-section of the receptacle showing dimensions of 11.55 mm (width), 18 mm (height), and 8.4 mm (base width).

SEE DETAIL C

SECTION D-D

Bottom view of the tray showing the receptacle layout.

NOTE:  
5 PACKAGE:  
100PCS PER TRAY FOR 1-2271656-1 & 1-2271656-2

THIS DRAWING IS A CONTROLLED DOCUMENT.

DIMENSIONS:	TOLERANCES UNLESS OTHERWISE SPECIFIED:
mm	
	0 PLC ±-
	1 PLC ±-
	2 PLC ±-
	3 PLC ±-
	4 PLC ±-
	ANGLES ±-
MATERIAL	FINISH

DWN	01DEC2015
LEAR ZHANG	
CHK	01DEC2015
KOBBY ZHAO	
APVD	01DEC2015
XU XIANG	
PRODUCT SPEC	
108-106087	
APPLICATION SPEC	
-	
WEIGHT	-

PACKAGE AS SHOWN	1-2271656-2
	1-2271656-1
DESCRIPTION	PART NO
<b>STE</b> TE Connectivity	
NAME	
SMT VERTICAL MINI I/O RECEPTACLE	
1.27mm PITCH	
SIZE	RESTRICTED TO
A3	-
CAGE CODE	
-	
DRAWING NO	
©-2271656	

CUSTOMER DRAWING

SCALE 4:1

SHEET 3 OF 4 REV C2

1470-19 (3/11)

THIS DRAWING IS UNPUBLISHED.

RELEASED FOR PUBLICATION

© COPYRIGHT - BY -

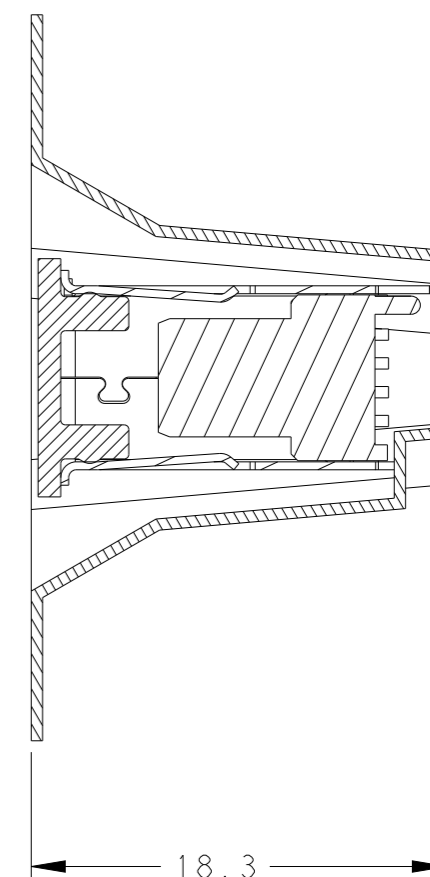
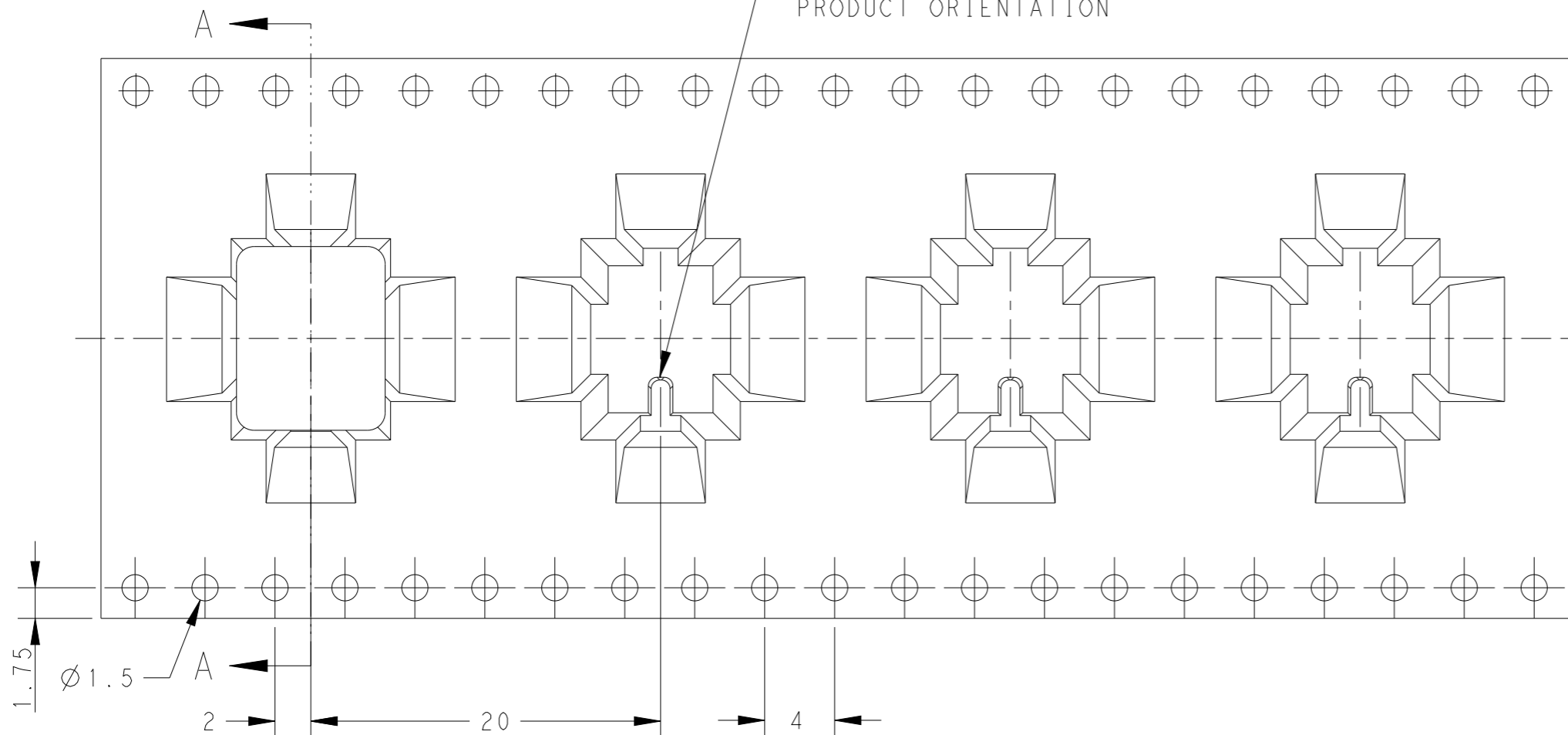
ALL RIGHTS RESERVED.

LOC	DIST
-	-

REVISIONS					
P	LTR	DESCRIPTION	DATE	DWN	APVD
-	-	SEE SHEET 1	-	-	-

CODING KEY FOR PRODUCT ORIENTATION


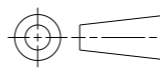
SECTION A - A



EMBOSS TAPE

PACKAGE AS SHOWN	3-2271656-2
	3-2271656-1
	2-2271656-2
	2-2271656-1
DESCRIPTION	PART NO

NOTE:  
 6 PACKAGE:  
 240PCS PER REEL FOR 2-2271656-1, 2-2271656-2,  
 3-2271656-1 & 3-2271656-2

THIS DRAWING IS A CONTROLLED DOCUMENT.		DWN	01DEC2015	 TE Connectivity	
DIMENSIONS: mm		CHK	01DEC2015		
		APVD	01DEC2015		
TOLERANCES UNLESS OTHERWISE SPECIFIED:		PRODUCT SPEC	108-106087		
MATERIAL		FINISH	-	NAME	SMT VERTICAL MINI I/O RECEPTACLE 1.27mm PITCH
-		-	-	SIZE	A3
-		-	-	CAGE CODE	-
-		-	-	DRAWING NO	©-2271656
-		-	-	RESTRICTED TO	-
-		-	-	SCALE	4:1
-		-	-	SHEET	4 OF 4
-		-	-	REV	C2
-		-	-	CUSTOMER DRAWING	-

## X-ON Electronics

Largest Supplier of Electrical and Electronic Components

*Click to view similar products for [Modular Connectors / Ethernet Connectors](#) category:*

*Click to view products by [TE Connectivity](#) manufacturer:*

Other Similar products are found below :

[8949-H88/06BLKA/SN](#) [74441-0010/BKN](#) [MP1010RX-1000](#) [MP44RX-1000](#) [PHJ-4P4C-1-V-4](#) [PHP-6P6C-5](#) [GAX-3-66](#) [GAX-8-62](#) [GDCX-PA-66-50](#) [GDCX-PN-64](#) [GDCX-PN-66](#) [GDCX-PN-66-50](#) [GDLX-A-66](#) [GDLX-N-66](#) [GDLX-S-66](#) [GDLX-S-88K](#) [GDTX-S-88-50](#) [GDX-PA-1010](#) [GLX-N-1010M-BLK](#) [GLX-S-88M-BLK](#) [GMX-N-1010](#) [GMX-S-1010](#) [GMX-S-66](#) [GMX-SMT4-N-88](#) [GPX-2-64](#) [GSGX-N-2-88](#) [GSGX-N-4-88](#) [GSX-NS2-88-3.05](#) [GSX-NS2-88-3.05-50](#) [GSX-NS-88-3.05-50](#) [PT-108A-8C-UL](#) [PT-J951-8C](#) [PTS-J531-8CS-50UL](#) [1-1775629-2](#) [A-2014-0-4](#) [GWLX-S-88-GR](#) [GWLX-S9-88-YG](#) [DC-1021-8-WH-6](#) [1300530003](#) [1324640-4](#) [RJ11FTVC2G](#) [RJ11FTVC2N](#) [RJFTVX2SA1G](#) [132764-001](#) [1413235](#) [MP88X-1000](#) [MPS88RX-5000](#) [E5288-S000K3-L](#) [E5908-15A242-L](#) [155302-001](#)