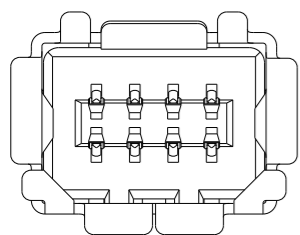
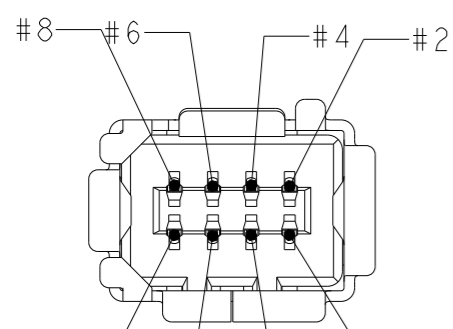
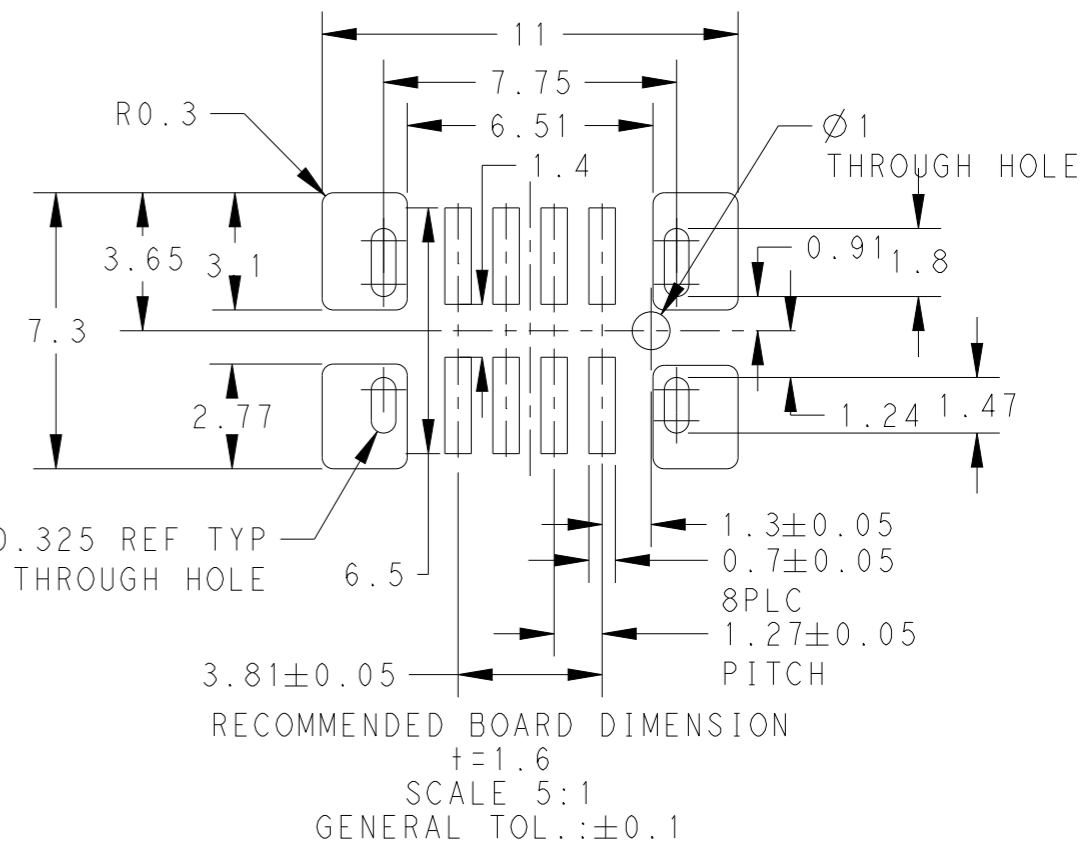
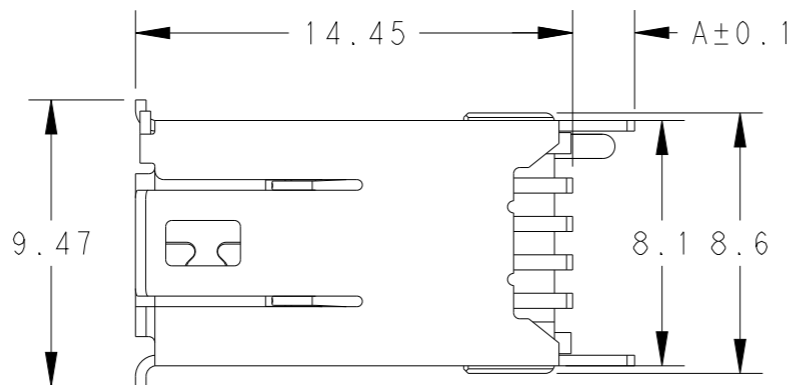


THIS DRAWING IS UNPUBLISHED. RELEASED FOR PUBLICATION  
 © COPYRIGHT - BY - ALL RIGHTS RESERVED.

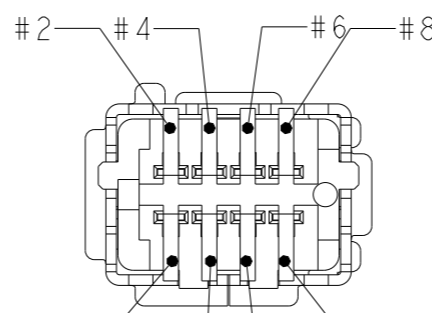
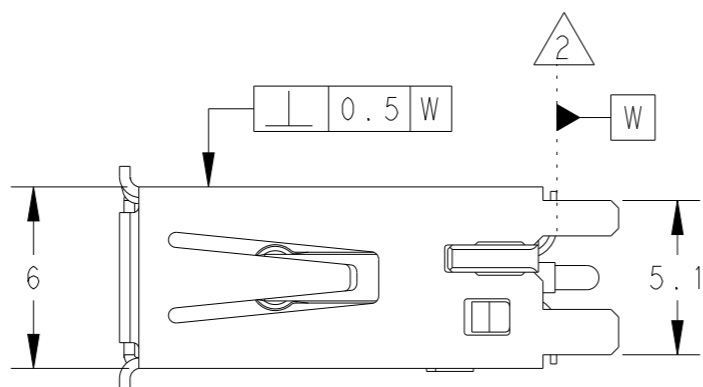
LOC	DIST	REVISIONS			
P	LTR	DESCRIPTION	DATE	DWN	APVD
-	-	C	ECR-18-010755	11NOV2018	GCM PP
		C1	ADDED NEW PART VARIANT 3--1 AND 3--2	19OCT2020	SS JDB
		C2	ADDED NEW PART VARIANT 4--1	19MAY2021	SS JDB
		C3	PACKAGING DETAILS CORRECTED FOR 4-2271656-1	14SEP2021	SS JDB



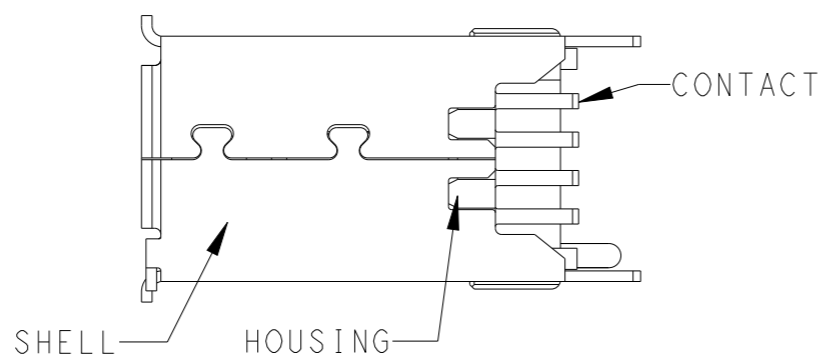
2271656-2  
TYPE II



2271656-1  
TYPE I



CIRCUIT NO



DIM "A"	POS	TOP CONTACT AREA	DESCRIPTION	PART NO
1.5	8	GOLD 0.5µm MIN	TYPE I SMT RECEPTACLE WITH CAP ON EMBOSS TAPE	4-2271656-1
2.05	8	GOLD 0.76µm MIN	TYPE II SMT RECEPTACLE WITH EMBOSS TAPE	3-2271656-2
2.05	8	GOLD 0.76µm MIN	TYPE I SMT RECEPTACLE WITH EMBOSS TAPE	3-2271656-1
2.05	8	GOLD 0.5µm MIN	TYPE II SMT RECEPTACLE WITH CAP ON EMBOSS TAPE	2-2271656-2
2.05	8	GOLD 0.5µm MIN	TYPE I SMT RECEPTACLE WITH CAP ON EMBOSS TAPE	2-2271656-1
2.05	8	GOLD 0.5µm MIN	TYPE II SMT RECEPTACLE WITH CAP	1-2271656-2
2.05	8	GOLD 0.5µm MIN	TYPE I SMT RECEPTACLE WITH CAP	1-2271656-1
2.05	8	GOLD 0.5µm MIN	TYPE II SMT RECEPTACLE	2271656-2
2.05	8	GOLD 0.5µm MIN	TYPE I SMT RECEPTACLE	2271656-1

NOTES:  
 1 MATERIAL AND FINISH  
 CONTACT: COPPER ALLOY  
 UNDER ALL SURFACE NICKEL 1.27µm MIN.  
 TOP CONTACT AREA: SEE TABLE  
 SOLDERING AREA: TIN PLATE  
 HOUSING: THERMO PLASTIC (UL94V-0)  
 SHELL: COPPER ALLOY  
 UNDER ALL SURFACE NICKEL  
 TOP ALL SURFACE TIN  
 2 COPLANARITY 0.1 MAX (IN 8 TIPS OF CONTACTS)  
 DATUM -W- IS THE SEATING PLANE FOR ALL 8 CONTACT LEGS  
 3 GENERAL TOL.: ±0.3; ±5°

THIS DRAWING IS A CONTROLLED DOCUMENT.

DIMENSIONS: mm

TOLERANCES UNLESS OTHERWISE SPECIFIED:  
 0 PLC ±-  
 1 PLC ±-  
 2 PLC ±-  
 3 PLC ±-  
 4 PLC ±-  
 ANGLES ±-  
 FINISH -

DWN: LEAR ZHANG 01DEC2015  
 CHK: KOBBY ZHAO 01DEC2015  
 APVD: XU XIANG 01DEC2015

NAME: SMT VERTICAL MINI I/O RECEPTACLE 1.27mm PITCH

PRODUCT SPEC: 108-106087

APPLICATION SPEC: -

WEIGHT: -

CUSTOMER DRAWING

SCALE: 4:1

SHEET 1 OF 5

REV C3

SIZE: A3

CAGE CODE: -

DRAWING NO: 2271656

RESTRICTED TO: -

TE Connectivity

4

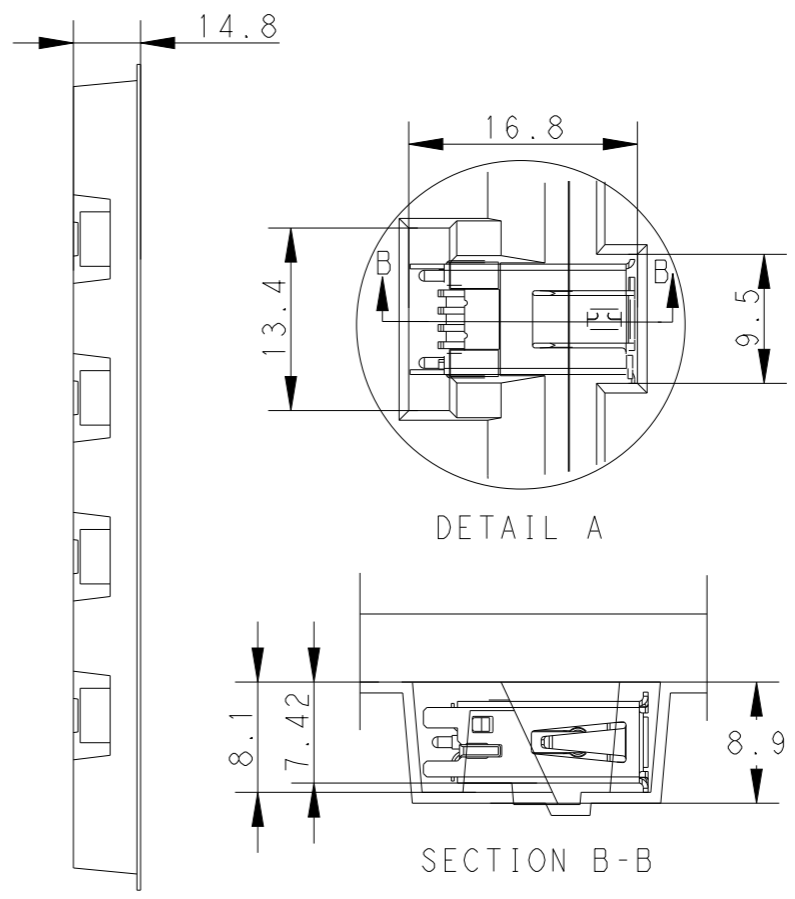
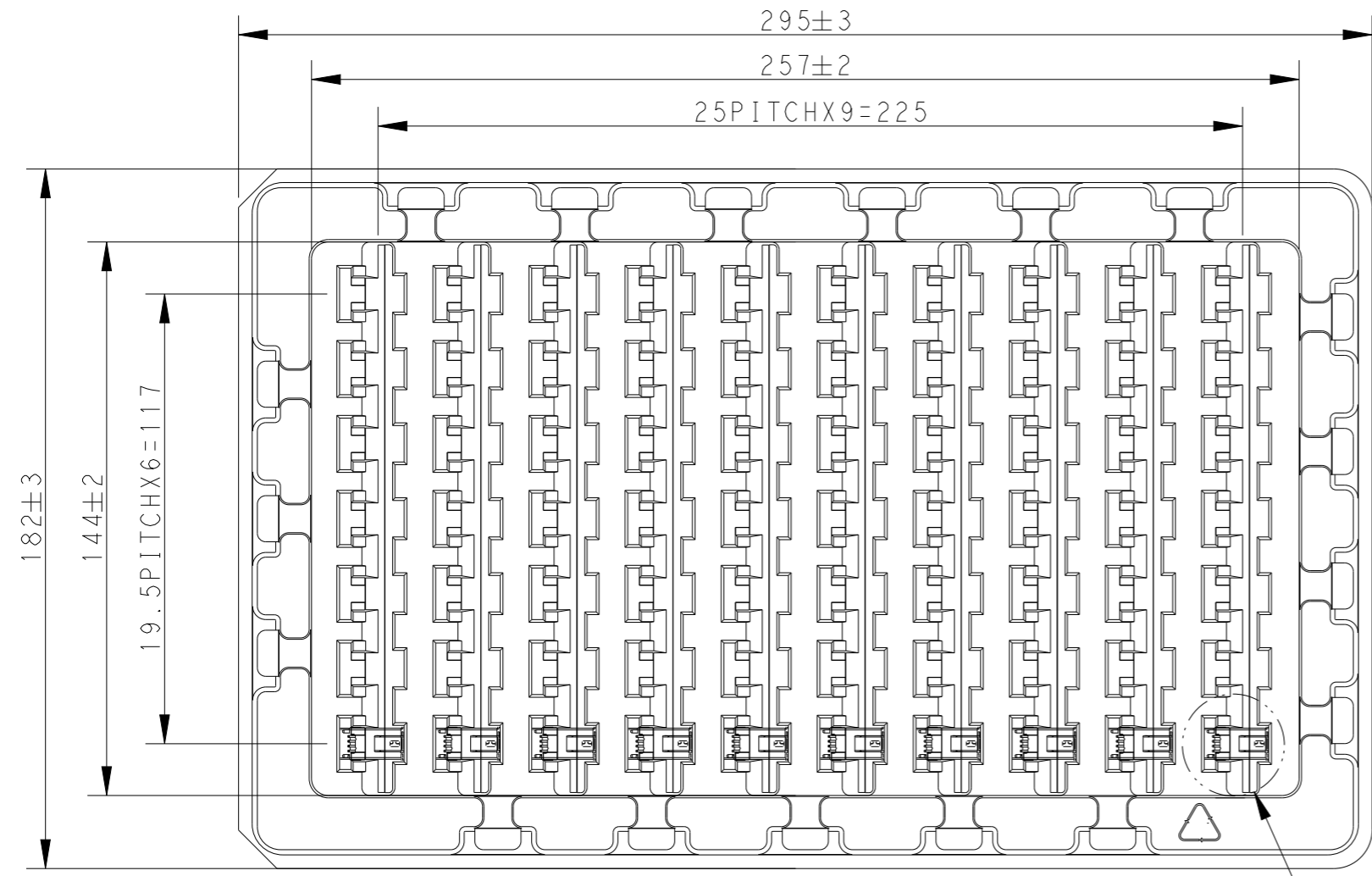
3

2

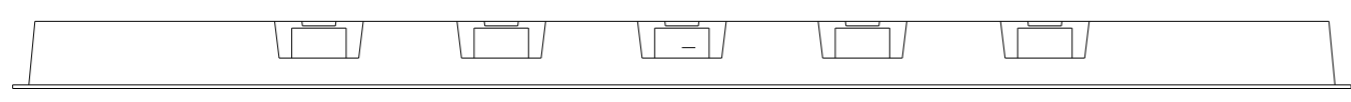
1

THIS DRAWING IS UNPUBLISHED. RELEASED FOR PUBLICATION  
 © COPYRIGHT - BY - ALL RIGHTS RESERVED.

LOC	DIST	REVISIONS			
P	LTR	DESCRIPTION	DATE	DWN	APVD
-	-	SEE SHEET 1	-	-	-


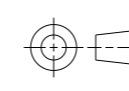


SEE DETAIL A



NOTE:  
 4 PACKAGE:  
 70PCS PER TRAY FOR 2271656-1, 2271656-2

PACKAGE AS SHOWN	2271656-2 2271656-1
DESCRIPTION	PART NO

THIS DRAWING IS A CONTROLLED DOCUMENT.		DWN	01DEC2015	 TE Connectivity	NAME SMT VERTICAL MINI I/O RECEPTACLE 1.27mm PITCH
DIMENSIONS: mm		CHK	01DEC2015		
		APVD	01DEC2015		
TOLERANCES UNLESS OTHERWISE SPECIFIED:		PRODUCT SPEC	108-106087		
0 PLC ±- 1 PLC ±- 2 PLC ±- 3 PLC ±- 4 PLC ±- ANGLES ±-		APPLICATION SPEC	-		
MATERIAL		WEIGHT	-	SIZE	A3
FINISH				CAGE CODE	-
				DRAWING NO	©-2271656
				RESTRICTED TO	-
				CUSTOMER DRAWING	
				SCALE	4:1
				SHEET	2 OF 5
				REV	C3

4

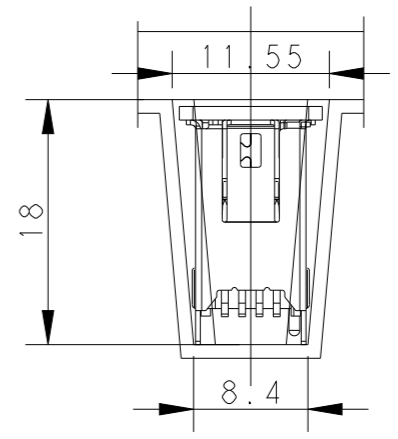
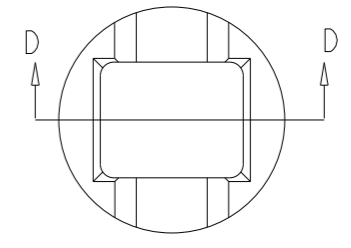
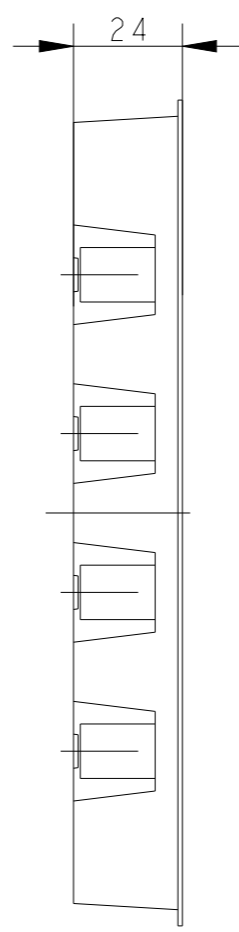
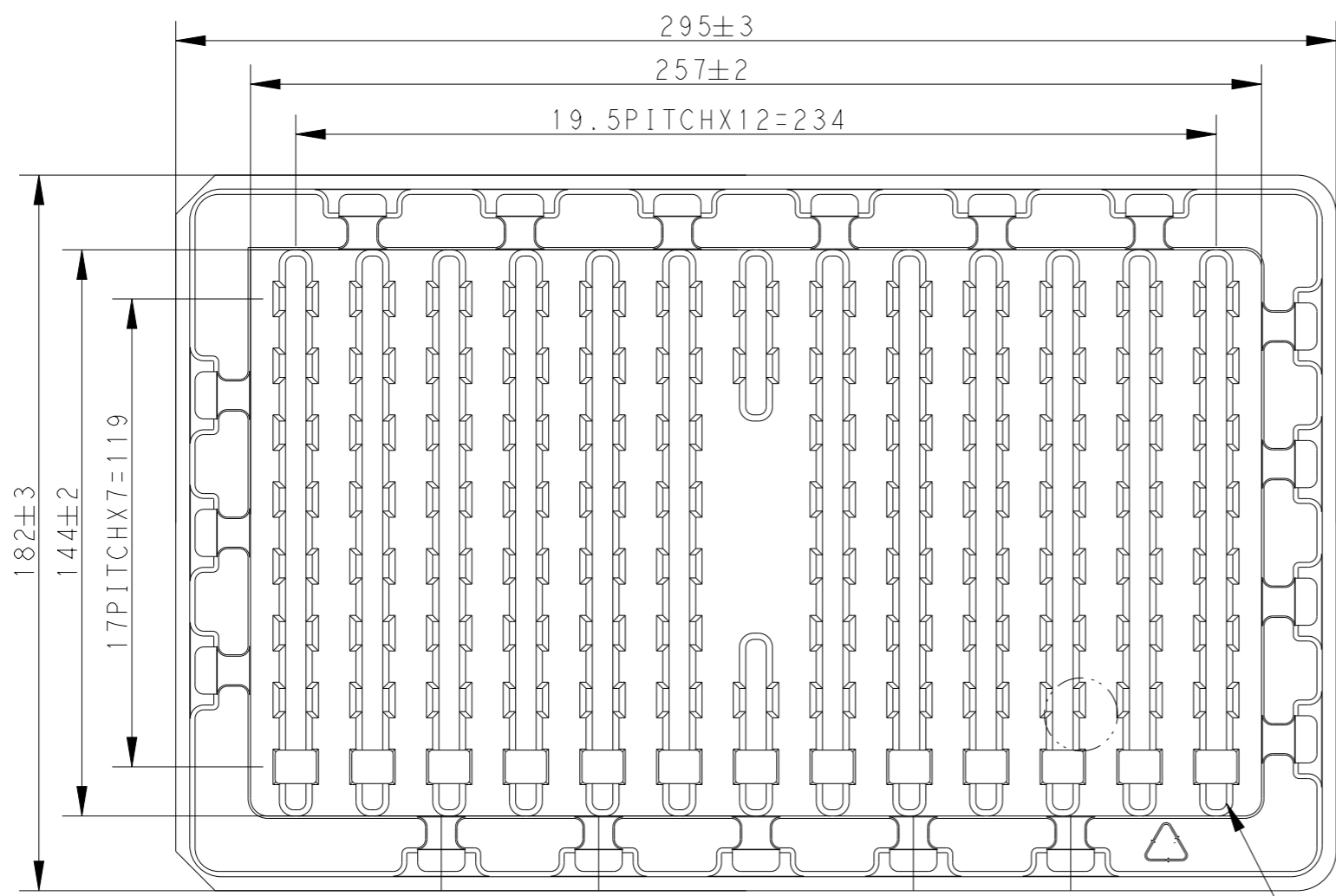
3

2

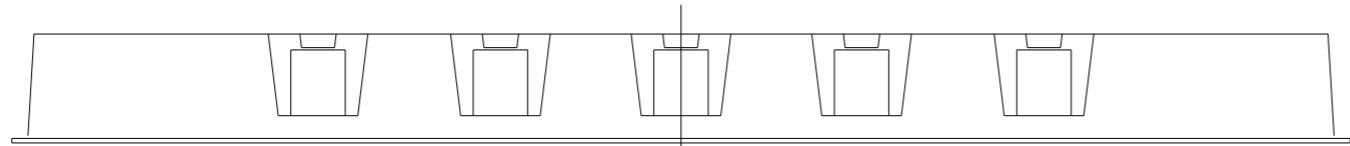
1

THIS DRAWING IS UNPUBLISHED. RELEASED FOR PUBLICATION  
 © COPYRIGHT - BY - ALL RIGHTS RESERVED.


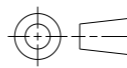
LOC	DIST	REVISIONS			
P	LTR	DESCRIPTION	DATE	DWN	APVD
-	-	SEE SHEET 1	-	-	-



SEE DETAIL C



NOTE:  
 5 PACKAGE:  
 100PCS PER TRAY FOR 1-2271656-1 & 1-2271656-2

THIS DRAWING IS A CONTROLLED DOCUMENT.		DWN	01DEC2015	 TE Connectivity	NAME SMT VERTICAL MINI I/O RECEPTACLE 1.27mm PITCH
DIMENSIONS: mm		CHK	01DEC2015		
		APVD	01DEC2015		
TOLERANCES UNLESS OTHERWISE SPECIFIED:		PRODUCT SPEC	108-106087		
0 PLC ±- 1 PLC ±- 2 PLC ±- 3 PLC ±- 4 PLC ±- ANGLES ±- MATERIAL - FINISH -		APPLICATION SPEC	-	SIZE	A3
		WEIGHT	-	CAGE CODE	-
		CUSTOMER DRAWING		DRAWING NO	©-2271656
				RESTRICTED TO	-
				SCALE	4:1
				SHEET	3 OF 5
				REV	C3

THIS DRAWING IS UNPUBLISHED.

RELEASED FOR PUBLICATION

© COPYRIGHT - BY -

ALL RIGHTS RESERVED.

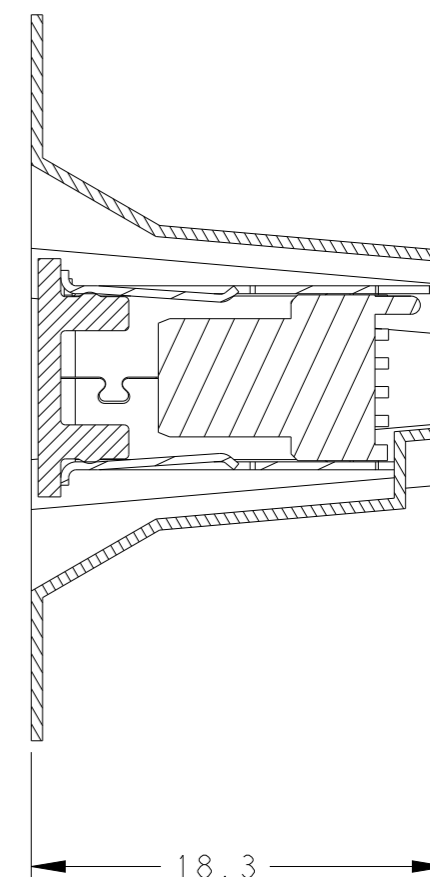
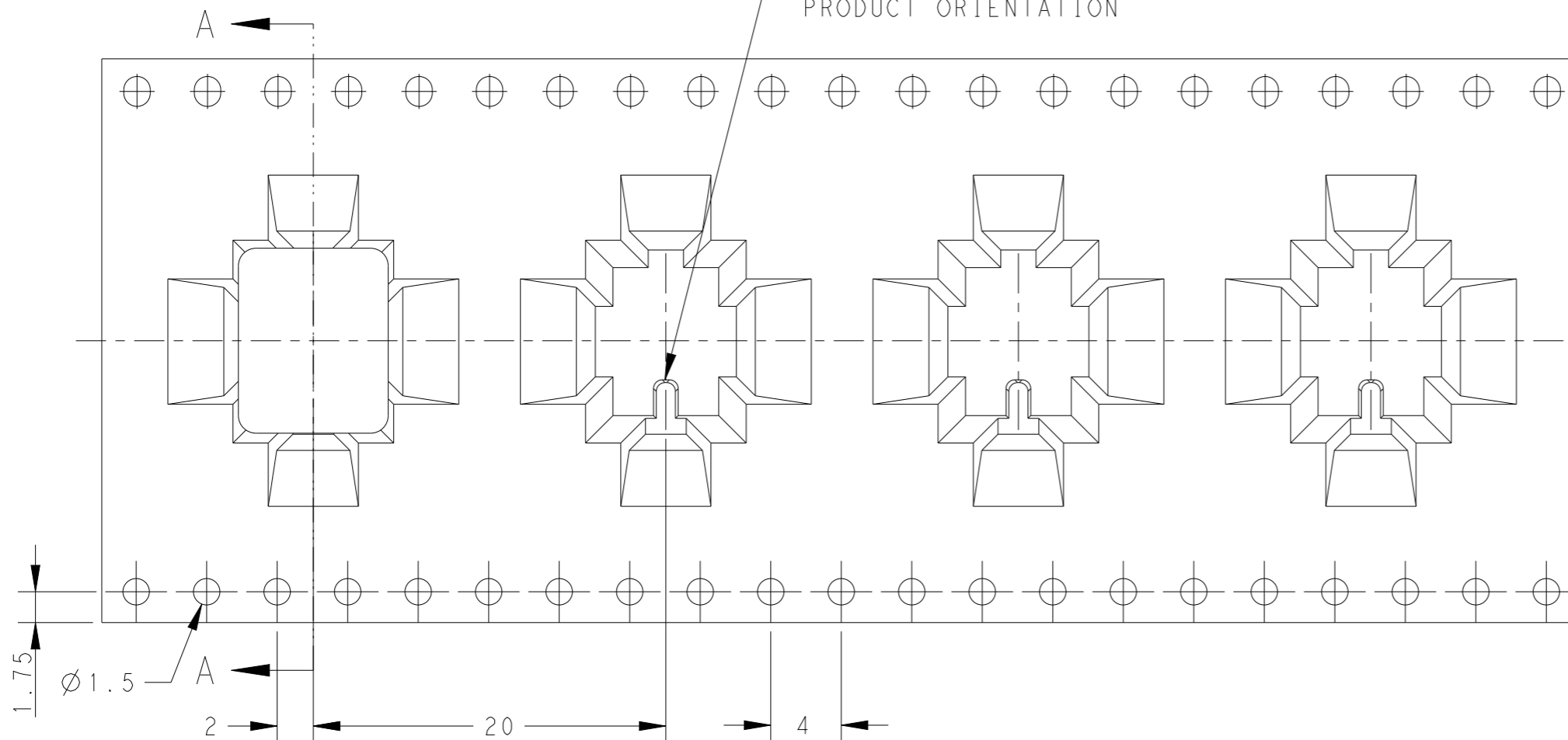
LOC - DIST -

REVISIONS

P	LTR	DESCRIPTION	DATE	DWN	APVD
-	-	SEE SHEET 1	-	-	-

CODING KEY FOR PRODUCT ORIENTATION



SECTION A - A



EMBOSS TAPE

PACKAGE AS SHOWN	3-2271656-2
	3-2271656-1
	2-2271656-2
	2-2271656-1
DESCRIPTION	PART NO

NOTE:  
 6 PACKAGE:  
 200PCS PER REEL FOR 2-2271656-1, 2-2271656-2,  
 3-2271656-1 & 3-2271656-2

THIS DRAWING IS A CONTROLLED DOCUMENT.		DWN	01DEC2015	 TE Connectivity	
DIMENSIONS: mm		CHK	01DEC2015		
		APVD	01DEC2015		
TOLERANCES UNLESS OTHERWISE SPECIFIED:		PRODUCT SPEC	108-106087		
MATERIAL -		FINISH -	-	NAME	SMT VERTICAL MINI I/O RECEPTACLE 1.27mm PITCH
-		WEIGHT -	-	SIZE	A3
-		CUSTOMER DRAWING	-	CAGE CODE	-
-		SCALE	4:1	DRAWING NO	©-2271656
-		SHEET	4 OF 5	RESTRICTED TO	-
-		REV	C3		

THIS DRAWING IS UNPUBLISHED.

RELEASED FOR PUBLICATION

© COPYRIGHT - BY -

ALL RIGHTS RESERVED.

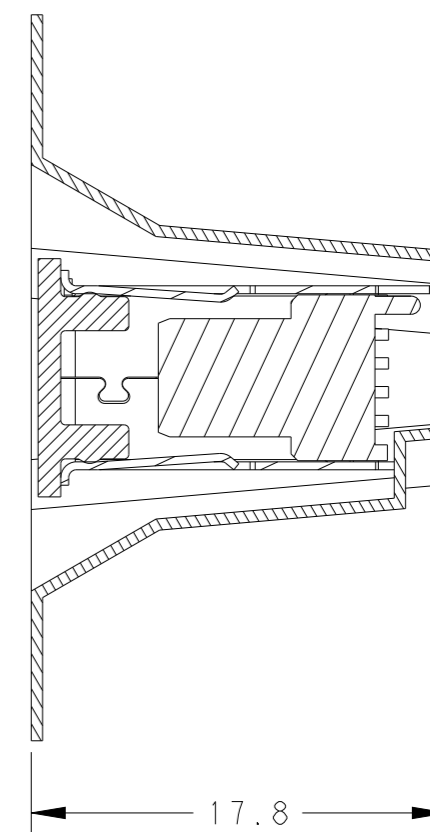
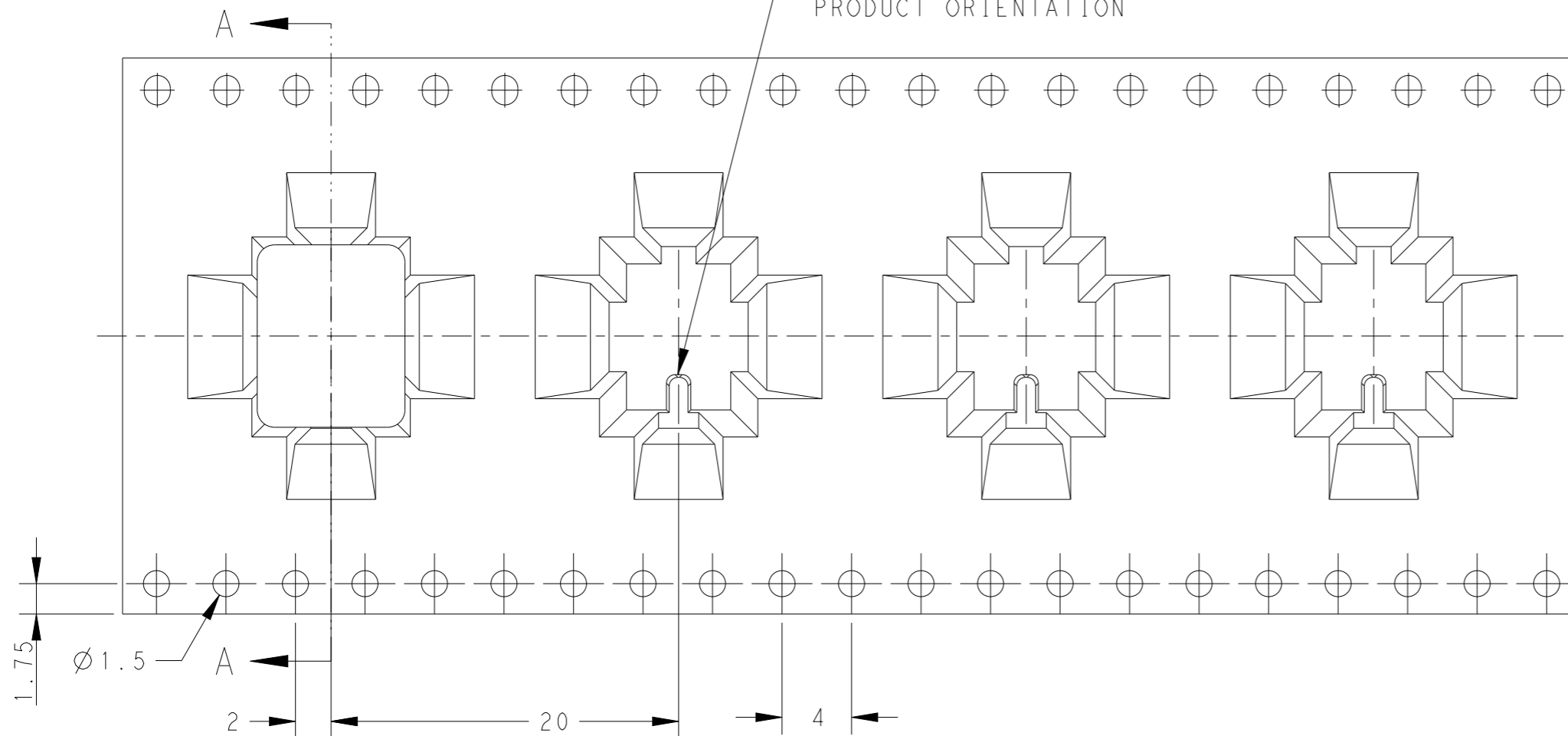
LOC - DIST -

REVISIONS

P	LTR	DESCRIPTION	DATE	DWN	APVD
-	-	SEE SHEET 1	-	-	-

CODING KEY FOR PRODUCT ORIENTATION

SECTION A - A



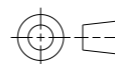
EMBOSS TAPE

NOTE:  
 7 PACKAGE:  
 230PCS PER REEL FOR 4-2271656-1

PACKAGE AS SHOWN	4-2271656-1
DESCRIPTION	PART NO

THIS DRAWING IS A CONTROLLED DOCUMENT.

DIMENSIONS: mm



TOLERANCES UNLESS OTHERWISE SPECIFIED:

- 0 PLC ± -
- 1 PLC ± -
- 2 PLC ± -
- 3 PLC ± -
- 4 PLC ± -
- ANGLES ± -
- FINISH -

MATERIAL -

DWN	LEAR ZHANG	01DEC2015
CHK	KOBBY ZHAO	01DEC2015
APVD	XU XIANG	01DEC2015
PRODUCT SPEC	108-106087	
APPLICATION SPEC	-	
WEIGHT	-	
CUSTOMER DRAWING		

TE Connectivity			NAME	
			SMT VERTICAL MINI I/O RECEPTACLE 1.27mm PITCH	
SIZE	CAGE CODE	DRAWING NO	RESTRICTED TO	
A3	-	©-2271656	-	
SCALE 4:1			SHEET 5 OF 5	REV C3

## X-ON Electronics

Largest Supplier of Electrical and Electronic Components

*Click to view similar products for [Modular Connectors / Ethernet Connectors](#) category:*

*Click to view products by [TE Connectivity](#) manufacturer:*

Other Similar products are found below :

[8949-H88/06BLKA/SN](#) [74441-0010/BKN](#) [PHP-6P6C-5](#) [GAX-3-66](#) [GAX-8-62](#) [GDCX-PN-66](#) [GLX-A-44](#) [GLX-N-1010M-BLK](#) [GMX-SMT4-N-88](#) [GSGX-N-2-88](#) [GSGX-N-4-88](#) [GSX-NS2-88-3.05](#) [GSX-NS-88-3.68](#) [PT-108A-8C-UL](#) [PTS-J531-8CS-50UL](#) [A-2014-0-4](#) [GWLX-S9-88-YG](#) [DC-1021-8-WH-6](#) [1300530003](#) [1324640-4](#) [RJ11FTVC2G](#) [RJ11FTVC2N](#) [RJFTVX2SA1G](#) [132764-001](#) [1413235](#) [MPS88RX-5000](#) [E5288-S000K3-L](#) [155302-001](#) [AX101050](#) [AX101063](#) [AX101065](#) [AX101072](#) [AX101307](#) [AX101315](#) [AX101318](#) [AX102271](#) [AX102288](#) [AX102651](#) [AX102660](#) [J0012D21NL](#) [J0026D01ENL](#) [PC4D0018P](#) [8949-B88/6](#) [2-6609208-5](#) [937-SP-3088-2PC-A192](#) [303066VFL](#) [303068V](#) [303088LFLSA](#) [303088SBL](#) [30-8603](#)