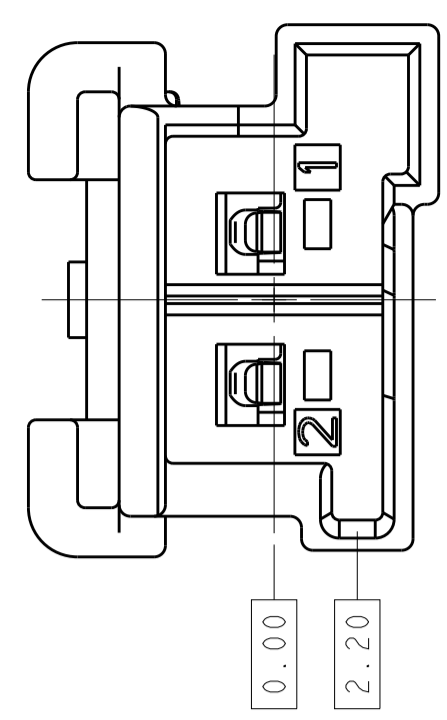
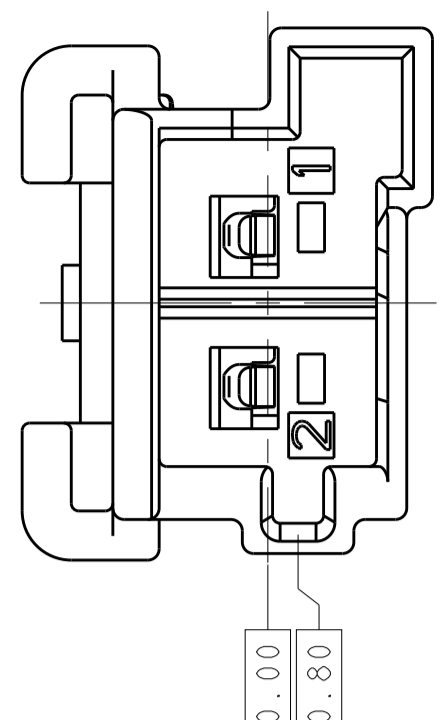


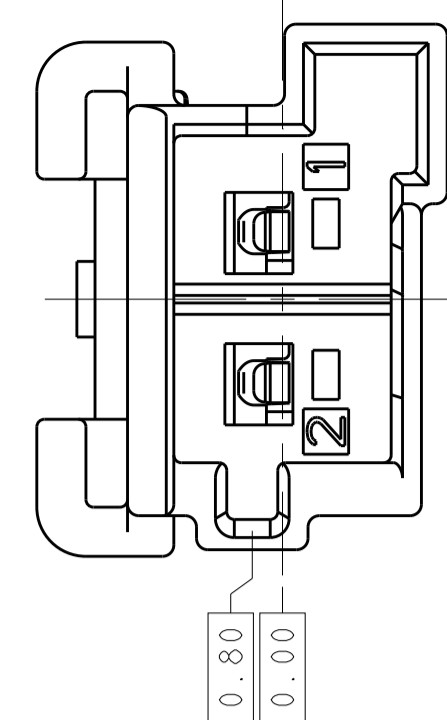
REVISIONS				
P.	LTM	DESCRIPTION	DATE	APVD
1		INITIAL DRAFT	03DEC2013	CK PR
2		PRODUCT DESIGN IMPROVEMENTS	11APR2014	PR PR
3		UPDATED VIEWS	07JAN2015	PR PR
A		DRAWING RELEASE	13NOV2015	PR PR



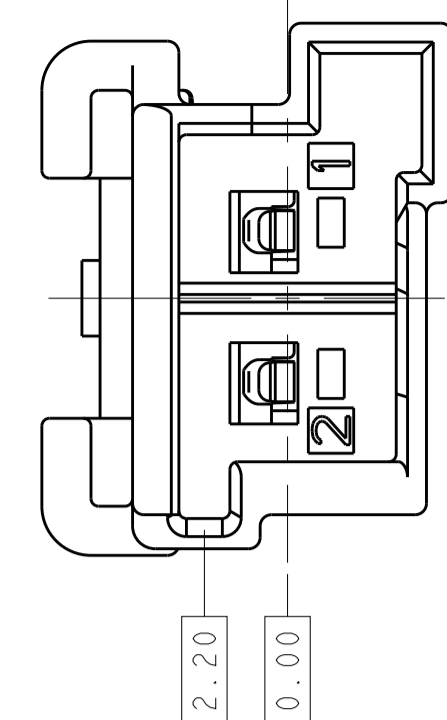
KEYING OPTION "A"



KEYING OPTION "B"

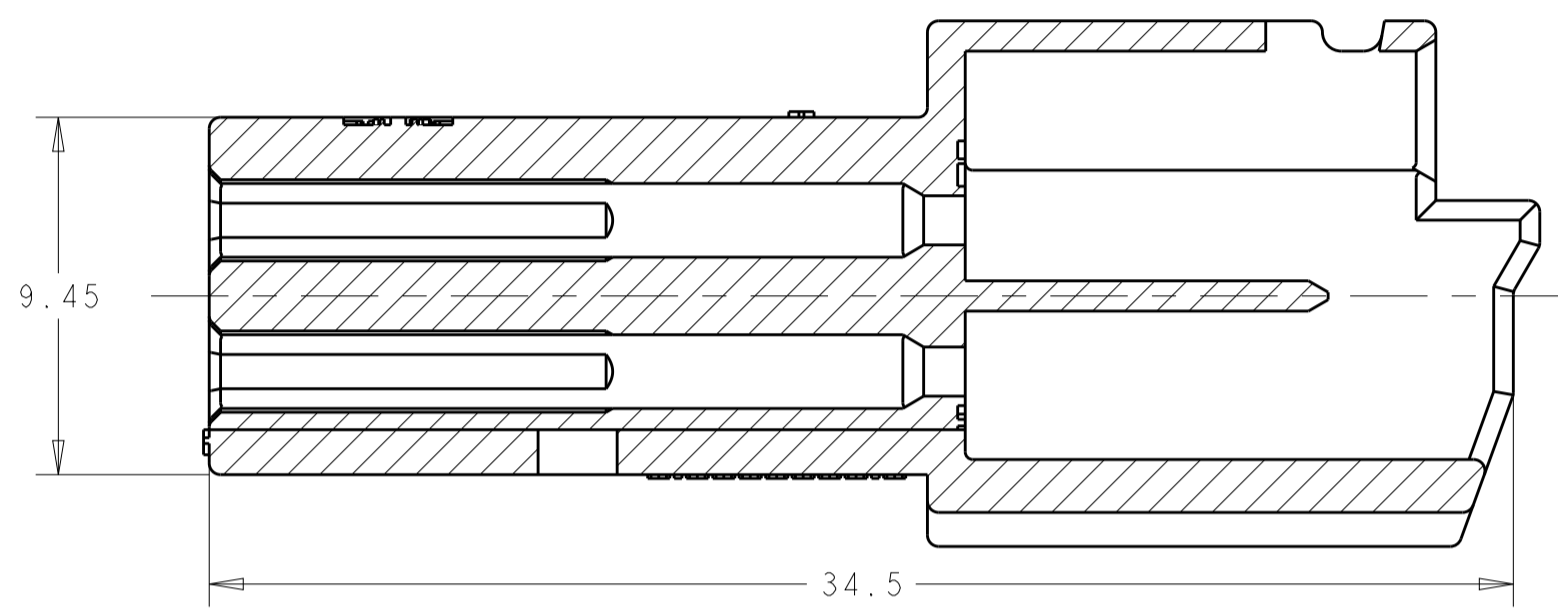


KEYING OPTION "C"

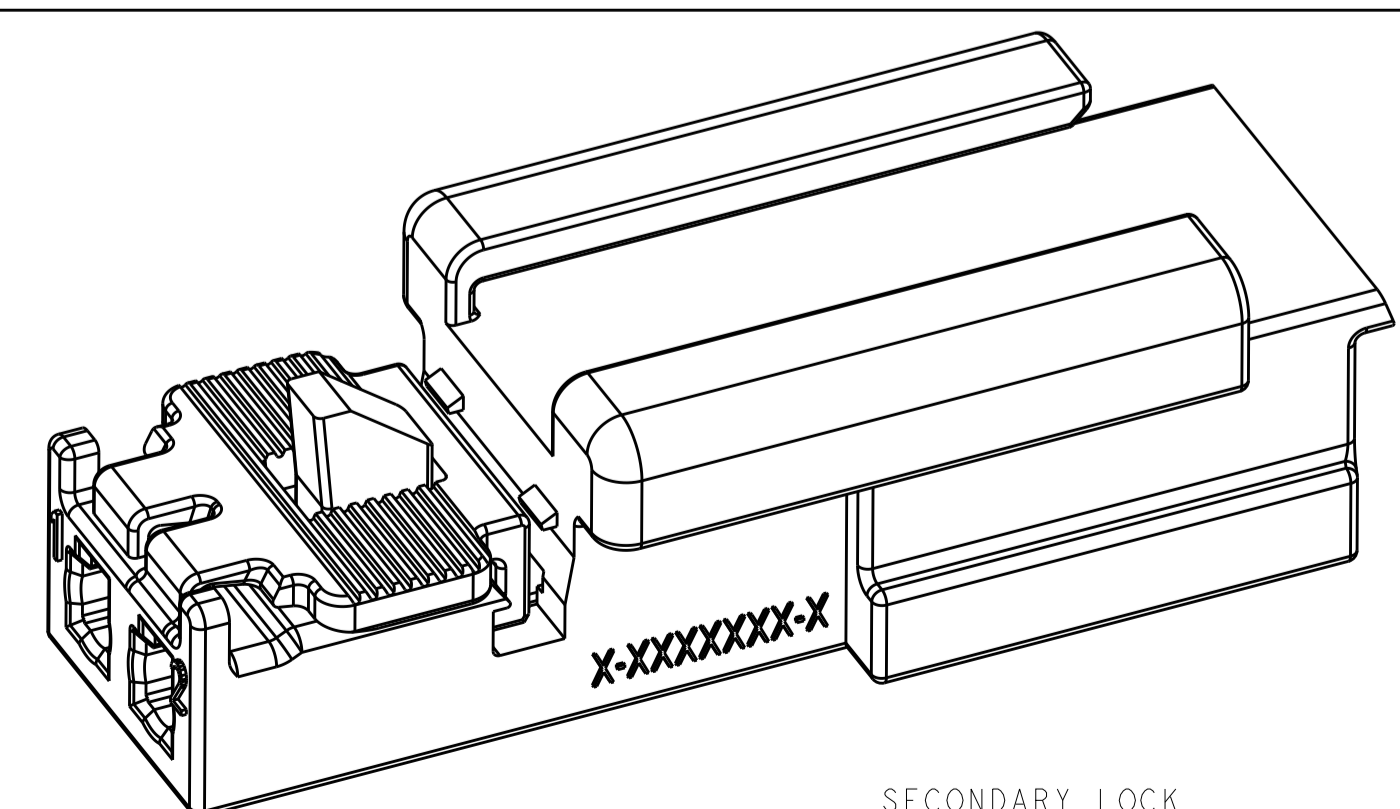
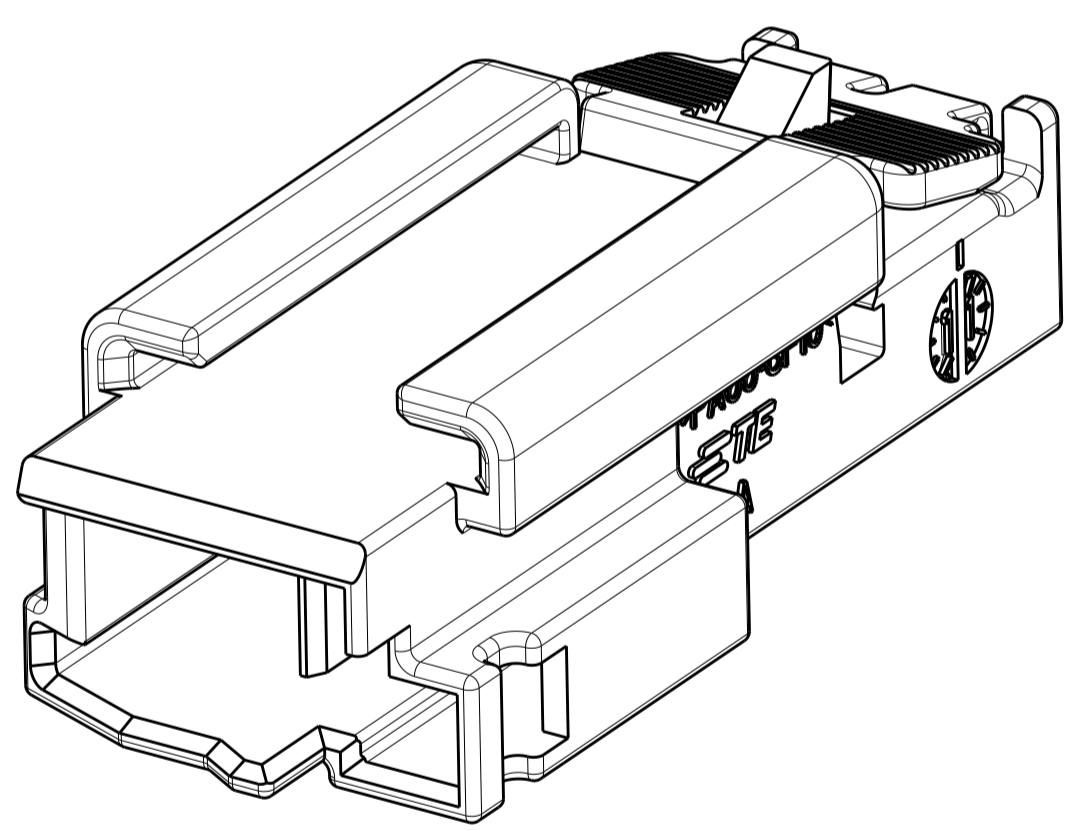
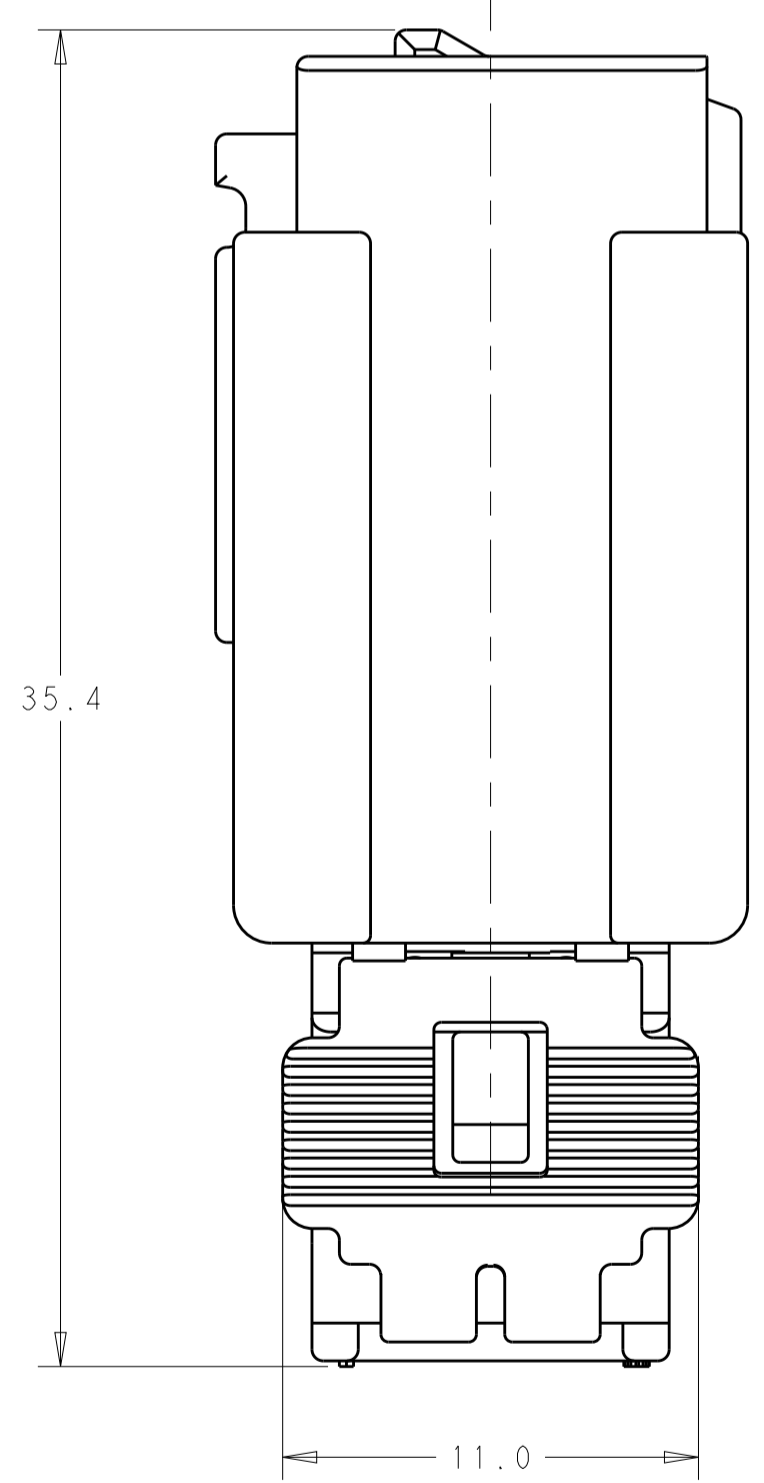
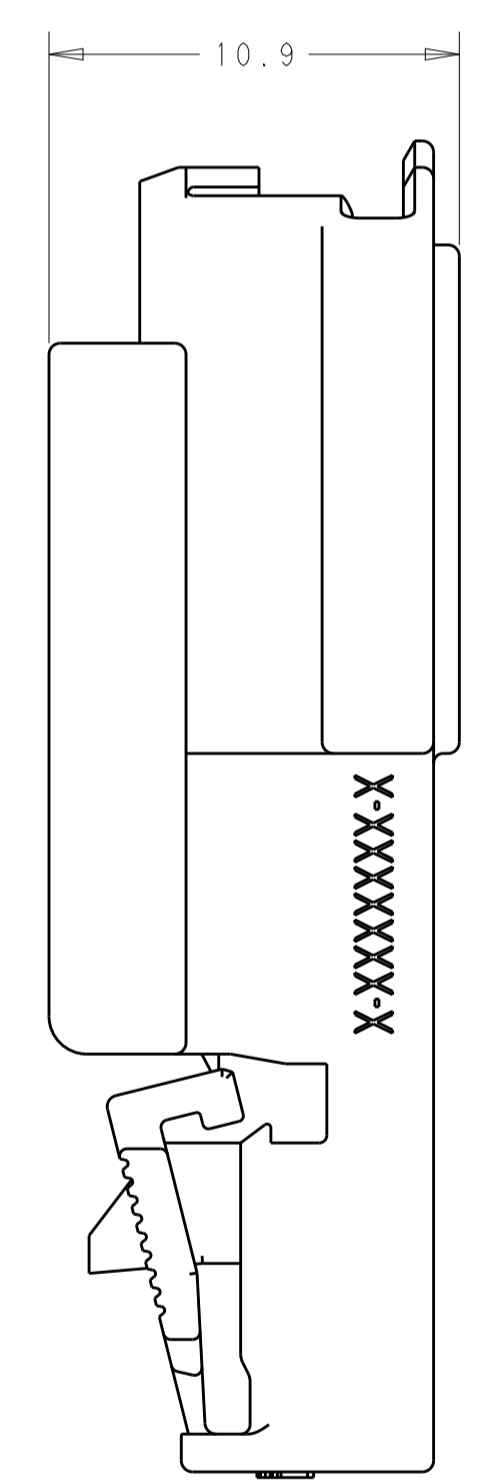
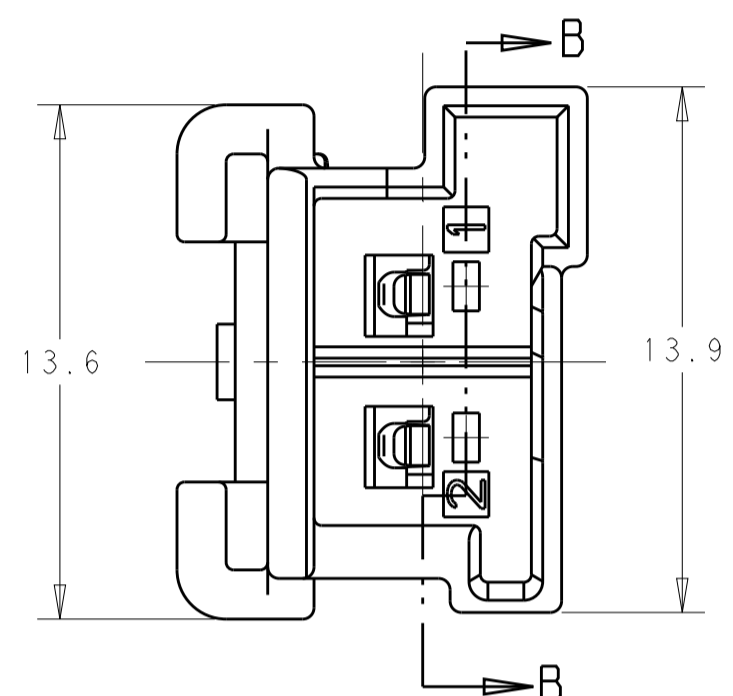


KEYING OPTION "D"

- ⚠ MATERIAL: PA66-GF10
COLOR: SEE TABLE
- 2272160-1 KEYING OPTION "A" SHOWN IN GENERAL VIEWS.
 - CAP ASSEMBLY WILL ACCEPT THE FOLLOWING TERMINAL PART NUMBERS: 1718350-1 (TIN PLATED) 0.50-0.75mm²
 - ASSEMBLY IS SHIPPED WITH SECONDARY LOCK IN THE PRE-LOCK POSITION AS SHOWN. SECONDARY LOCK MAY CLOSE INADVERTENTLY DURING SHIPPING. IF THIS OCCURS, RELOCATE SECONDARY LOCK TO THE OPEN POSITION PRIOR TO INSERTION OF TERMINALS.



SECTION B-B



SCALE 5:1 SECONDARY LOCK CLOSED POSITION

CAP HOUSING COLOR	KEYING OPTION	PART NUMBER
GRAY	D	2272160-4
GREEN	C	2272160-3
BLUE	B	2272160-2
NATURAL	A	2272160-1

THIS DRAWING IS A CONTROLLED DOCUMENT.		DWN: C. CHETHAN K. 29OCT2013	
DIMENSIONS: mm		CHK: P. ROMAN 31OCT2013	
TOLERANCES UNLESS OTHERWISE SPECIFIED:		APVD: P. ROMAN 31OCT2013	2P UNSEALED (MCON CB TAB) CAP HOUSING
0 PLC ±		PRODUCT SPEC	
1 PLC ±0.5		APPLICATION SPEC	SIZE: A1
2 PLC ±0.10		WEIGHT	CAGE CODE: -
3 PLC ±		RESTRICTED TO	DRAWING NO: C=2272160
4 PLC ±		SCALE: 3:1	SHEET 1 OF 1
ANGLES ±°		REV: A	
FINISH		Customer Drawing	

X-ON Electronics

Largest Supplier of Electrical and Electronic Components

Click to view similar products for [Automotive Connectors](#) category:

Click to view products by [TE Connectivity](#) manufacturer:

Other Similar products are found below :

[003-018-000](#) [60403001](#) [60993906-B](#) [M902-2131](#) [M902-2161](#) [M902-2344](#) [72.330.1035.1](#) [73.353.4028.0](#) [F119300-B](#) [F166900](#) [F258300-B](#)
[F358300-B](#) [F407400](#) [F444110](#) [F487000](#) [F509500B-B](#) [827153-1](#) [8N1515-32-24P](#) [9-1326729-8](#) [925474-1](#) [928905-1](#) [964562-4](#) [968782-1](#)
[GT17SA-8DS-HU](#) [98891-1012](#) [98947-1016](#) [12004147](#) [12004475-L](#) [12010290](#) [12010309-B](#) [12015454](#) [12020219-B](#) [12041318-B](#) [12052225-](#)
[L](#) [12052466](#) [12064869](#) [12004327-B](#) [12015308](#) [12015384](#) [12015909](#) [1-21030-1](#) [12041254](#) [12041318](#) [12047946-B](#) [12047957](#) [12047957-L](#)
[12059473](#) [12066261](#) [12110546](#) [12110546-B](#)