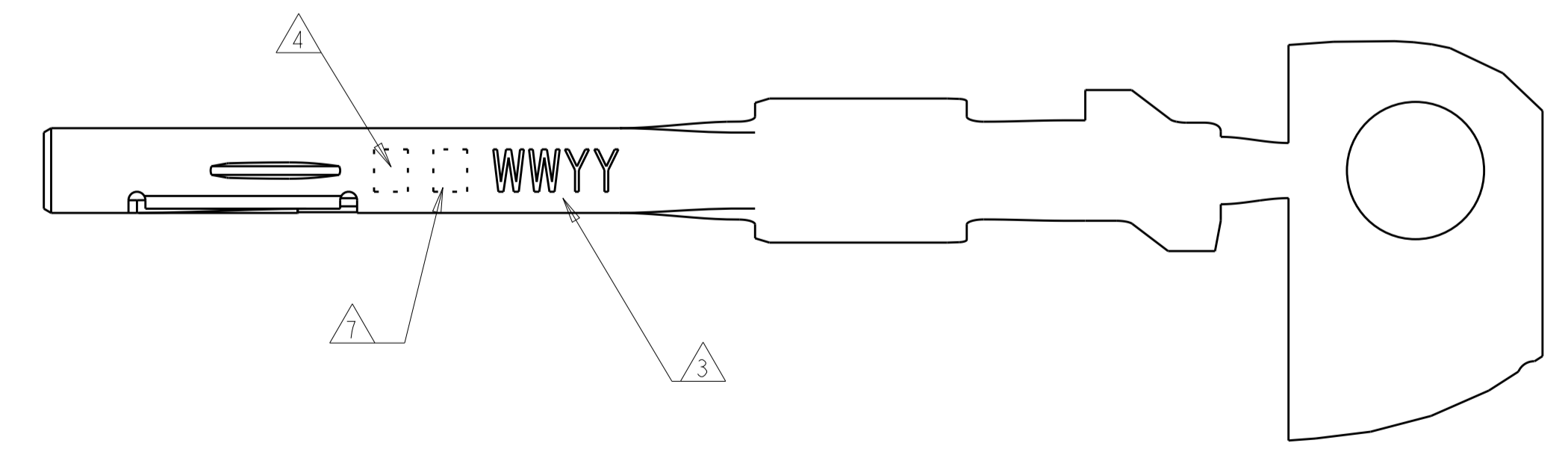
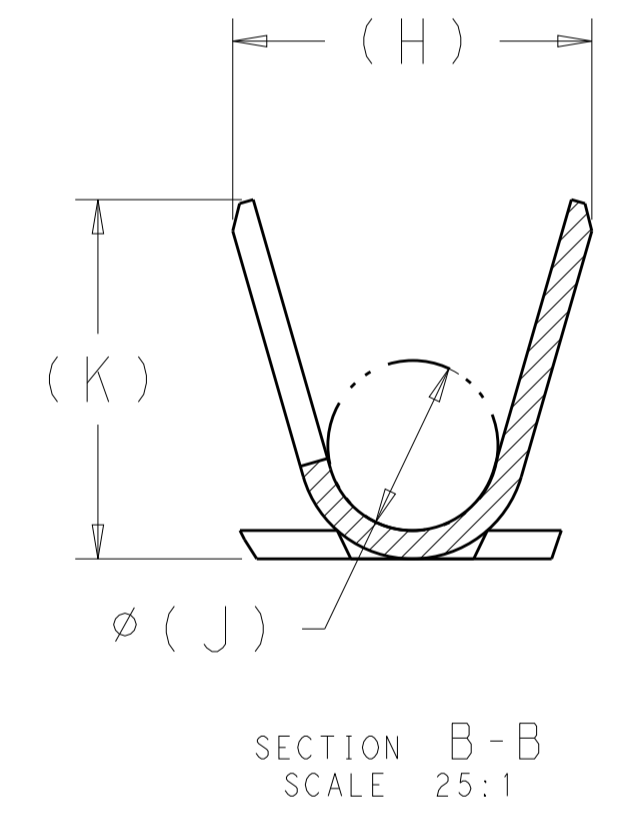
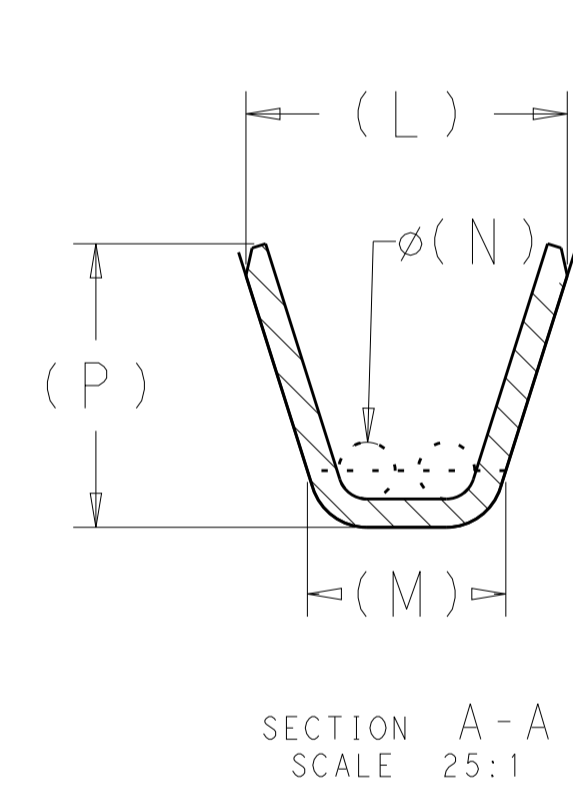
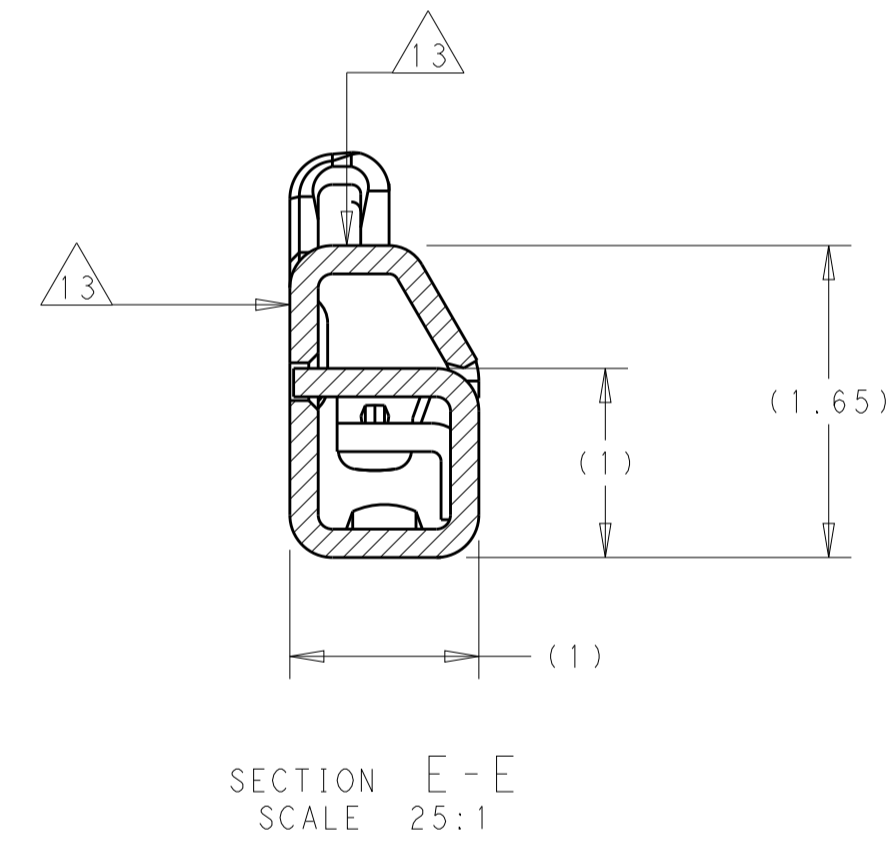
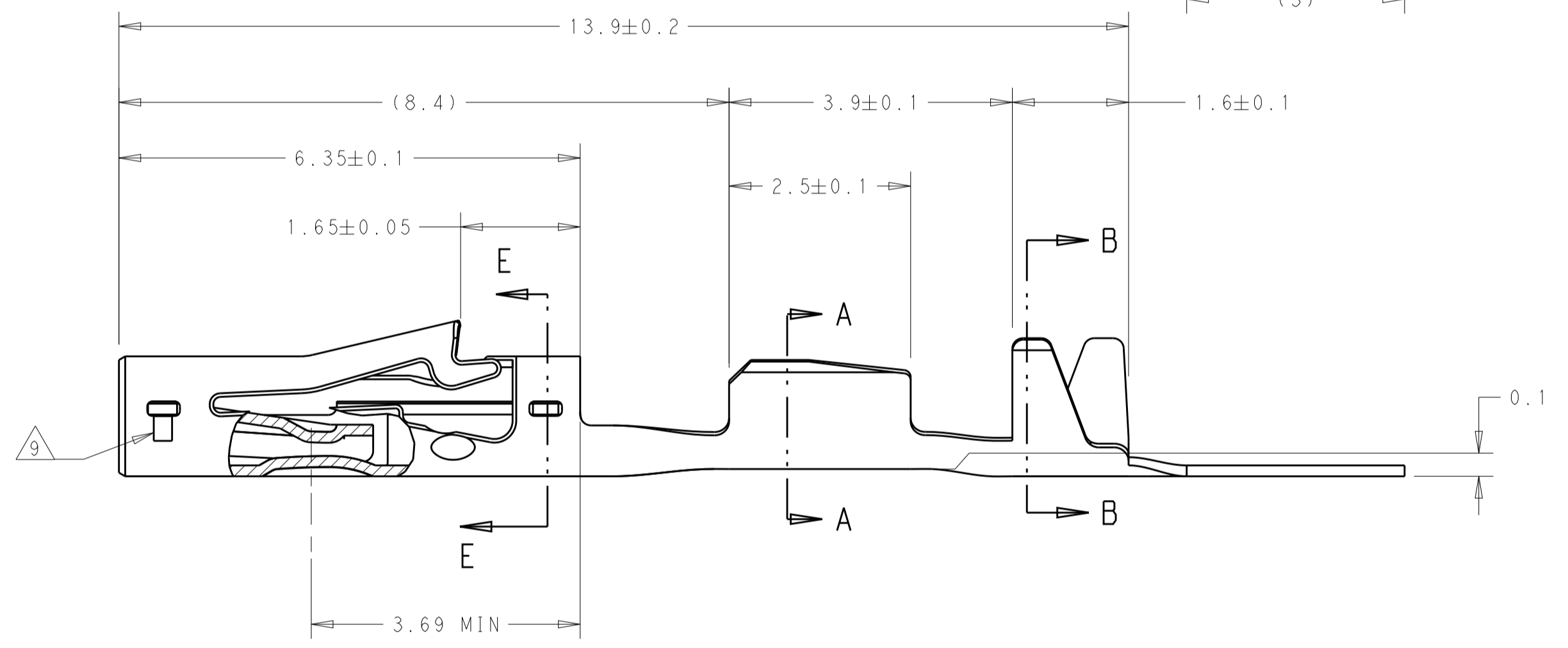
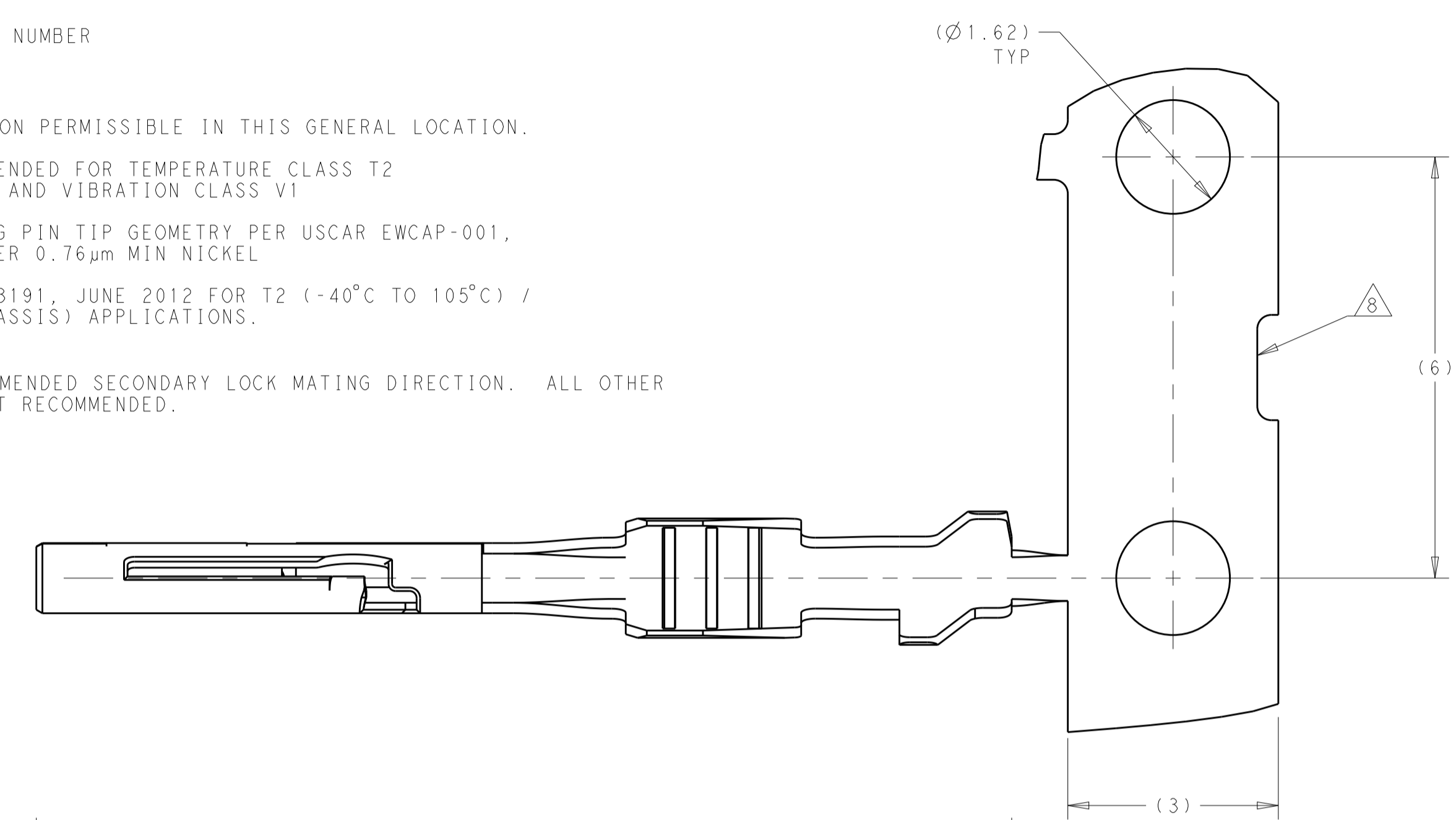
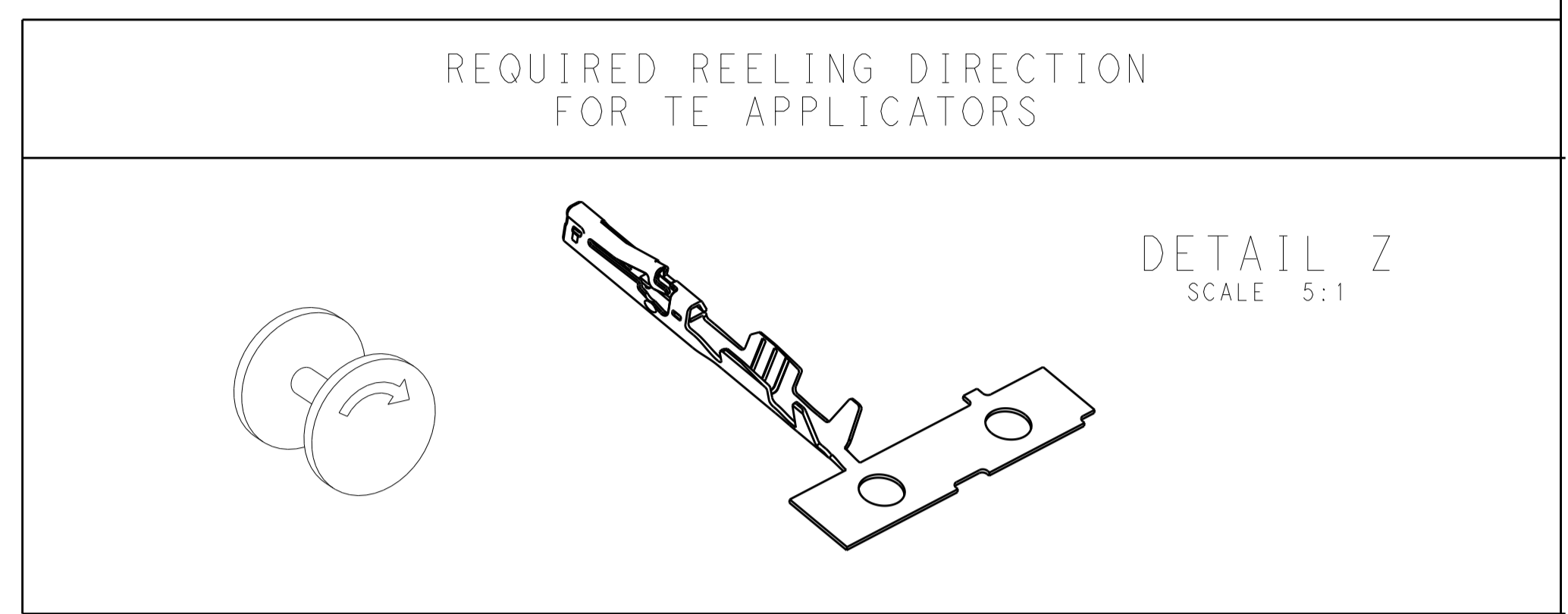
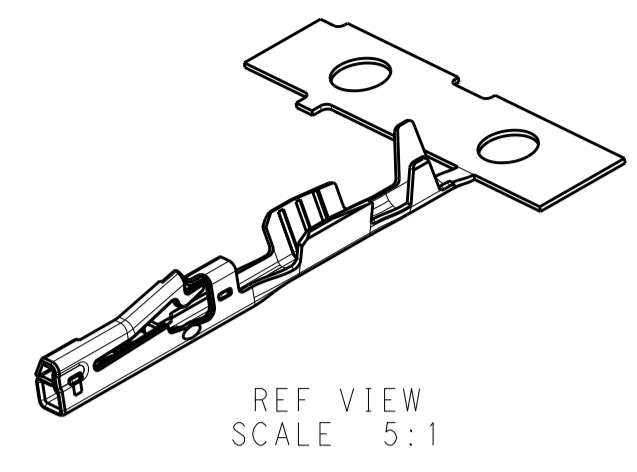


REVISIONS					
P.	LTN	DESCRIPTION	DATE	DWN	APVD
C		REV PER ECO-17-010161	12JUL2017	FK	WW
C1		REV PER ECO-17-014203	21SEP2017	FK	CR
D		REV PER ECO-18-000672	15FEB2018	HM	CR
E		REV PER ECO-19-XXXX	1MAY2019	CR	CR

- 1 MATERIAL: COPPER ALLOY, PRE-PLATED WITH 0.80µm MIN TIN
- 2. TERMINAL HAS LUBRICANT APPLIED. THIS IS A WHITISH COLORED LUBE. AMOUNT AND VISIBILITY MAY VARY.
- 3 DATE CODE (WEEK/YEAR)
- 4 BARREL SIZE ID, SEE TABLE
- 5. MAX 7 TERMINAL MISSING PER REEL PERMITTED
- 6. 3 LOOSE SPLICES PER REEL ALLOWED
- 7 DIE IDENTIFICATION NUMBER
- 8 OPTIONAL FEATURE
- 9 OPTIONAL INDENTATION PERMISSIBLE IN THIS GENERAL LOCATION.
- 10. THIS TERMINAL INTENDED FOR TEMPERATURE CLASS T2 (-40°C TO +105°C) AND VIBRATION CLASS V1
- 11. RECOMMENDED MATING PIN TIP GEOMETRY PER USCAR EWCAP-001, 0.75-1.5µm TIN OVER 0.76µm MIN NICKEL
- 12. QUALIFIED PER GMW3191, JUNE 2012 FOR T2 (-40°C TO 105°C) / V1 (ON BODY OR CHASSIS) APPLICATIONS.
- 13 ARROWS SHOW RECOMMENDED SECONDARY LOCK MATING DIRECTION. ALL OTHER DIRECTIONS ARE NOT RECOMMENDED.



N	SEE DETAIL Z	1.5	0.3	1.05	1.7	1.9	0.9	1.9	1.00 TO 1.40	0.35mm ² , 7 STRAND	2272196-2
S	SEE DETAIL Z	1.25	0.3	0.9	1.6	1.8	0.9	1.9	0.85 TO 1.05	0.13mm ² , 7 STRAND	2272196-1
MARKING	REELING	P	N	M	L	K	J	H	INSULATION O.D.	CONDUCTOR	PART NO

THIS DRAWING IS A CONTROLLED DOCUMENT.

DIMENSIONS:	TOLERANCES UNLESS OTHERWISE SPECIFIED:	DWN H. MOLL 20FEB2014	CHK J. MYER 25FEB2014	APVD J. MYER 25FEB2014	NAME
mm	0 PLC ±0.15 2 PLC ±0.15 3 PLC ±0.15 4 PLC ±0.15 ANGLES ±0.15	PRODUCT SPEC	108-32200	APPLICATION SPEC	114-32153
MATERIAL	FINISH	WEIGHT	0.08 g	SIZE	A1
CUSTOMER DRAWING		SCALE	15:1	SHEET	1 OF 1

STE TE Connectivity
 RECEPTACLE, UNSEALED, GENERATION 50, LOCKING LANCE
 ©=2272196

X-ON Electronics

Largest Supplier of Electrical and Electronic Components

Click to view similar products for [Automotive Connectors](#) category:

Click to view products by [TE Connectivity](#) manufacturer:

Other Similar products are found below :

[003-018-000](#) [60403001](#) [60993906-B](#) [M902-2131](#) [M902-2161](#) [72.330.1035.1](#) [73.353.4028.0](#) [F119300-B](#) [F166900](#) [F258300-B](#) [F358300-B](#)
[F407400](#) [F444110](#) [F487000](#) [F509500B-B](#) [827153-1](#) [8N1515-32-24P](#) [9-1326729-8](#) [925474-1](#) [928905-1](#) [964562-4](#) [968782-1](#) [GT17SA-8DS-](#)
[HU](#) [98891-1012](#) [98947-1016](#) [12004147](#) [12004475-L](#) [12010290](#) [12010309-B](#) [12015454](#) [12020219-B](#) [12020308](#) [12041318-B](#) [12052225-L](#)
[12052466](#) [12059125](#) [12064869](#) [12004327-B](#) [12010503-B](#) [12015308](#) [12015384](#) [12015909](#) [1-21030-1](#) [12041254](#) [12041318](#) [12047946-B](#)
[12047957](#) [12047957-L](#) [12059473](#) [12066261](#)