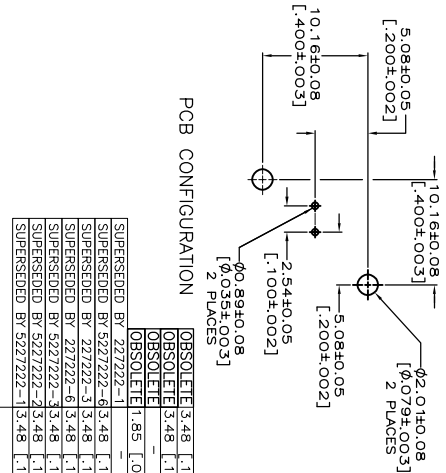


RECOMMENDED PANEL CUTOUT



PCB CONFIGURATION

REV	DATE	DESCRIPTION	BY	CHKD	APP'D
1	2/27/22	REVISED BY 5227222-1	1.85	[0.73]	
2	2/27/22	REVISED BY 5227222-6	3.48	[1.37]	
3	2/27/22	REVISED BY 5227222-3	3.48	[1.37]	
4	2/27/22	REVISED BY 5227222-6	3.48	[1.37]	
5	2/27/22	REVISED BY 5227222-3	3.48	[1.37]	
6	2/27/22	REVISED BY 5227222-6	3.48	[1.37]	
7	2/27/22	REVISED BY 5227222-3	3.48	[1.37]	
8	2/27/22	REVISED BY 5227222-6	3.48	[1.37]	
9	2/27/22	REVISED BY 5227222-3	3.48	[1.37]	
10	2/27/22	REVISED BY 5227222-6	3.48	[1.37]	
11	2/27/22	REVISED BY 5227222-3	3.48	[1.37]	
12	2/27/22	REVISED BY 5227222-6	3.48	[1.37]	
13	2/27/22	REVISED BY 5227222-3	3.48	[1.37]	
14	2/27/22	REVISED BY 5227222-6	3.48	[1.37]	
15	2/27/22	REVISED BY 5227222-3	3.48	[1.37]	
16	2/27/22	REVISED BY 5227222-6	3.48	[1.37]	
17	2/27/22	REVISED BY 5227222-3	3.48	[1.37]	
18	2/27/22	REVISED BY 5227222-6	3.48	[1.37]	
19	2/27/22	REVISED BY 5227222-3	3.48	[1.37]	
20	2/27/22	REVISED BY 5227222-6	3.48	[1.37]	
21	2/27/22	REVISED BY 5227222-3	3.48	[1.37]	
22	2/27/22	REVISED BY 5227222-6	3.48	[1.37]	
23	2/27/22	REVISED BY 5227222-3	3.48	[1.37]	
24	2/27/22	REVISED BY 5227222-6	3.48	[1.37]	
25	2/27/22	REVISED BY 5227222-3	3.48	[1.37]	
26	2/27/22	REVISED BY 5227222-6	3.48	[1.37]	
27	2/27/22	REVISED BY 5227222-3	3.48	[1.37]	
28	2/27/22	REVISED BY 5227222-6	3.48	[1.37]	
29	2/27/22	REVISED BY 5227222-3	3.48	[1.37]	
30	2/27/22	REVISED BY 5227222-6	3.48	[1.37]	
31	2/27/22	REVISED BY 5227222-3	3.48	[1.37]	
32	2/27/22	REVISED BY 5227222-6	3.48	[1.37]	
33	2/27/22	REVISED BY 5227222-3	3.48	[1.37]	
34	2/27/22	REVISED BY 5227222-6	3.48	[1.37]	
35	2/27/22	REVISED BY 5227222-3	3.48	[1.37]	
36	2/27/22	REVISED BY 5227222-6	3.48	[1.37]	
37	2/27/22	REVISED BY 5227222-3	3.48	[1.37]	
38	2/27/22	REVISED BY 5227222-6	3.48	[1.37]	
39	2/27/22	REVISED BY 5227222-3	3.48	[1.37]	
40	2/27/22	REVISED BY 5227222-6	3.48	[1.37]	
41	2/27/22	REVISED BY 5227222-3	3.48	[1.37]	
42	2/27/22	REVISED BY 5227222-6	3.48	[1.37]	
43	2/27/22	REVISED BY 5227222-3	3.48	[1.37]	
44	2/27/22	REVISED BY 5227222-6	3.48	[1.37]	
45	2/27/22	REVISED BY 5227222-3	3.48	[1.37]	
46	2/27/22	REVISED BY 5227222-6	3.48	[1.37]	
47	2/27/22	REVISED BY 5227222-3	3.48	[1.37]	
48	2/27/22	REVISED BY 5227222-6	3.48	[1.37]	
49	2/27/22	REVISED BY 5227222-3	3.48	[1.37]	
50	2/27/22	REVISED BY 5227222-6	3.48	[1.37]	

REV	DATE	DESCRIPTION	BY	CHKD	APP'D	QTY	QTY=1	QTY=1	QTY=1	QTY=1	QTY=1	QTY=1
A	-	ASSEMBLY	-	-	-	1	1	1	1	1	1	1
B	1-329631-2	LOCKWASHER	227222-6	227222-9	227222-8	1	1	1	1	1	1	1
C	1-329631-2	JAM NUT	227222-1	227222-7	227222-6	1	1	1	1	1	1	1

- 1. POLYESTER PBT PER MIL-M-24519, TYPE GPT-15F, UL94V-O RATED, COLOR:NATURAL
- 2. POLYESTER PBT PER MIL-M-24519, TYPE GPT-15F, UL94V-O RATED, COLOR:BLACK
- 3. POLYMETHYLPENTENE, GENERAL PURPOSE.
- 4. ZINC PER QQ-Z-363.
- 5. PHOSPHOR BRONZE PER QQ-B-750.
- 6. BRASS PER ASTM-B-453.
- 7. BRASS PER ASTM-B-16.
- 8. NICKEL PLATE PER QQ-N-290, 3.81 μm [0.000150] MINIMUM THICK.
- 9. TIN PLATE PER ASTM-B-545, 3.81 μm [0.000150] MINIMUM THICK.
- 10. GOLD PLATE PER MIL-G-45204, 0.76 μm [0.00030] MINIMUM THICK.
- 11. SILVER PLATE PER QQ-S-365, 2.54 μm [0.00100] MINIMUM THICK.
- 12. TIN PLATE PER ASTM-B-545, 3.81 μm [0.000150] MINIMUM THICK.
- 13. SEE INSTRUCTION SHEET 2769.

THIS DRAWING IS A CONTROLLED DOCUMENT

DATE: 1/20/2016

SCALE: 4:1

SIZE: 108-12078

WEIGHT: 0.000000

CUSTOMER DRAWING

TE Connectivity

JACK HERRICK

50 OHM / 50 SERIES BNC

RESTRICTED TO: [UN]

X-ON Electronics

Largest Supplier of Electrical and Electronic Components

Click to view similar products for [RF Connectors / Coaxial Connectors](#) category:

Click to view products by [TE Connectivity](#) manufacturer:

Other Similar products are found below :

[R125315120](#) [8915-1511-000](#) [89674-0827](#) [5916-1103-603](#) [6-0001-3](#) [6001-7071-019](#) [6002-7051-003](#) [6002-7551-202](#) [6059674-1](#) [619550-1](#)
[630059-000](#) [M39012/25-0021](#) [M39012/79-3008](#) [M39030/3-01N](#) [M39030/3-03N](#) [M3933/25-36N](#) [6500-7071-046](#) [M83723/72W24576](#)
[M83723/72W2457N](#) [6769](#) [CX050L2AQ](#) [7002-1541-010](#) [7002-1572-002](#) [7003-1572-002](#) [7010-1511-000](#) [7029-1511-060](#) [7101-1541-010](#)
[7101-1571-002](#) [7105-1521-002](#) [7145-1521-002](#) [7209-1511-011](#) [7210-1511-015](#) [7210-1511-019](#) [7225-1512-050](#) [7242-1511-000](#) [73137-5015](#)
[73251-0111](#) [73251-0672](#) [7325-1512-000](#) [73276-1501](#) [73366-0013](#) [73404-2300](#) [73413-6080](#) [73415-5721](#) [7405-1521-005](#) [7405-1521-802](#)
[7406-1521-005](#) [804S01D04M040](#) [8145-1521-002](#) [81590](#)