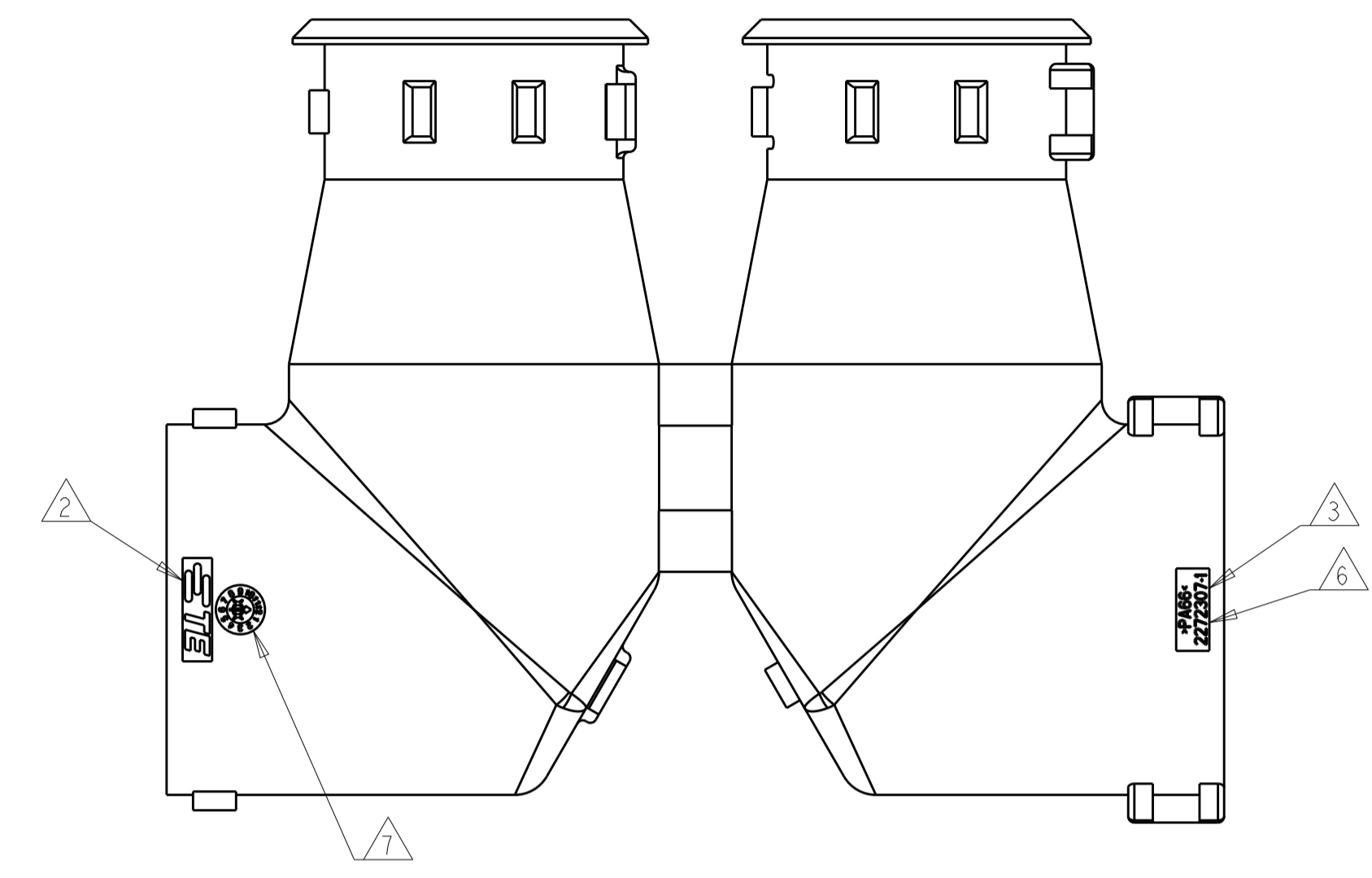
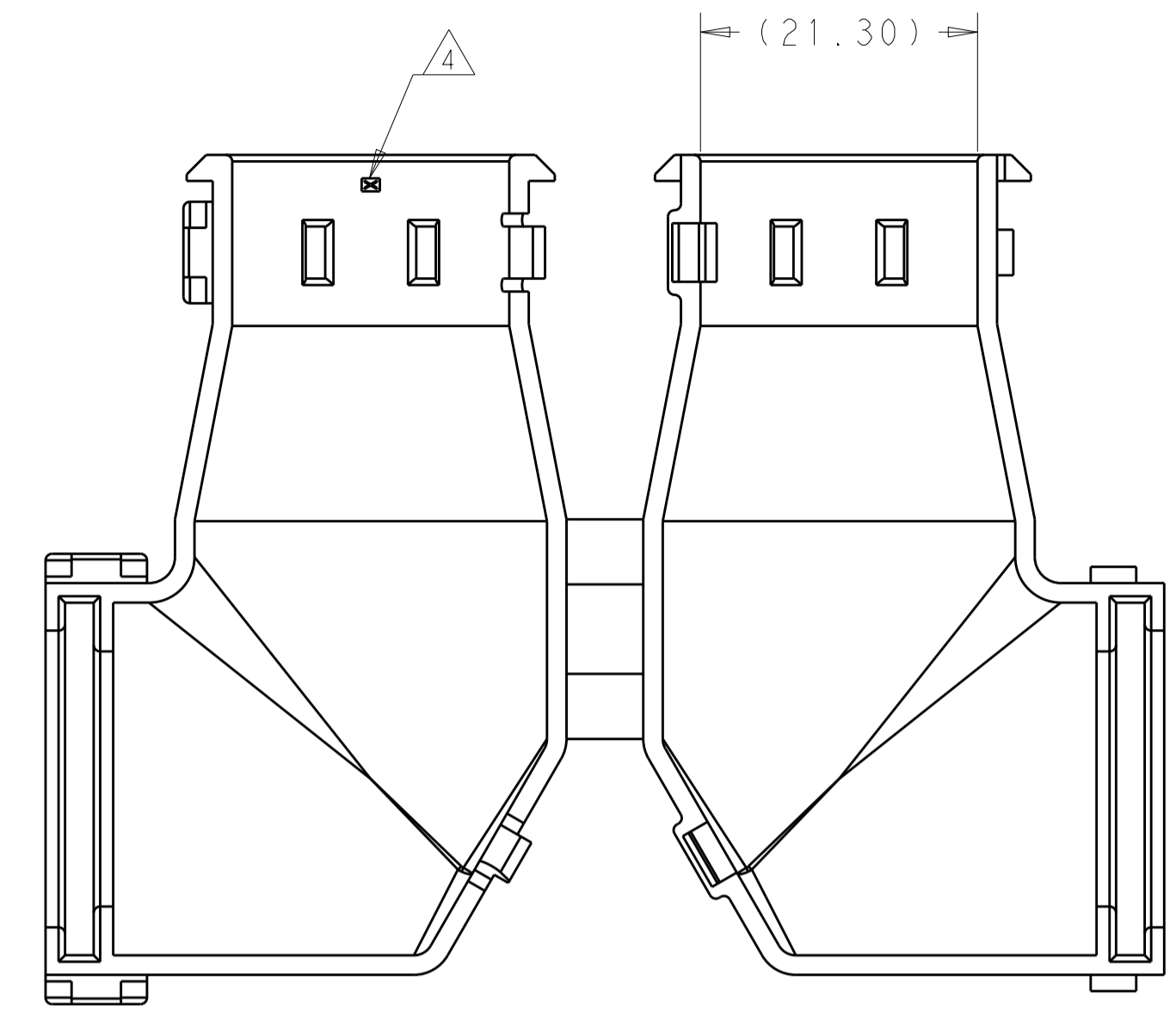
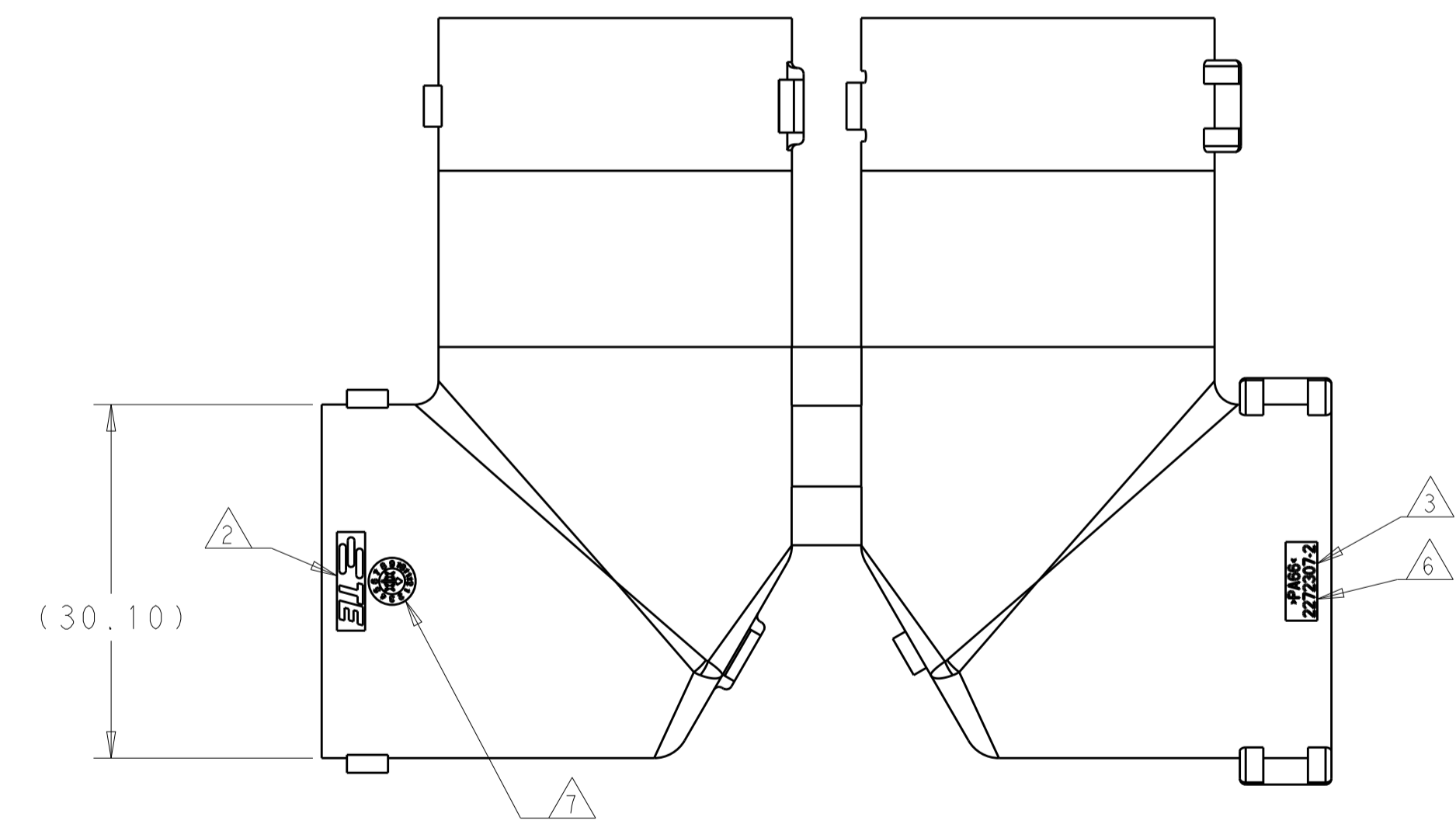
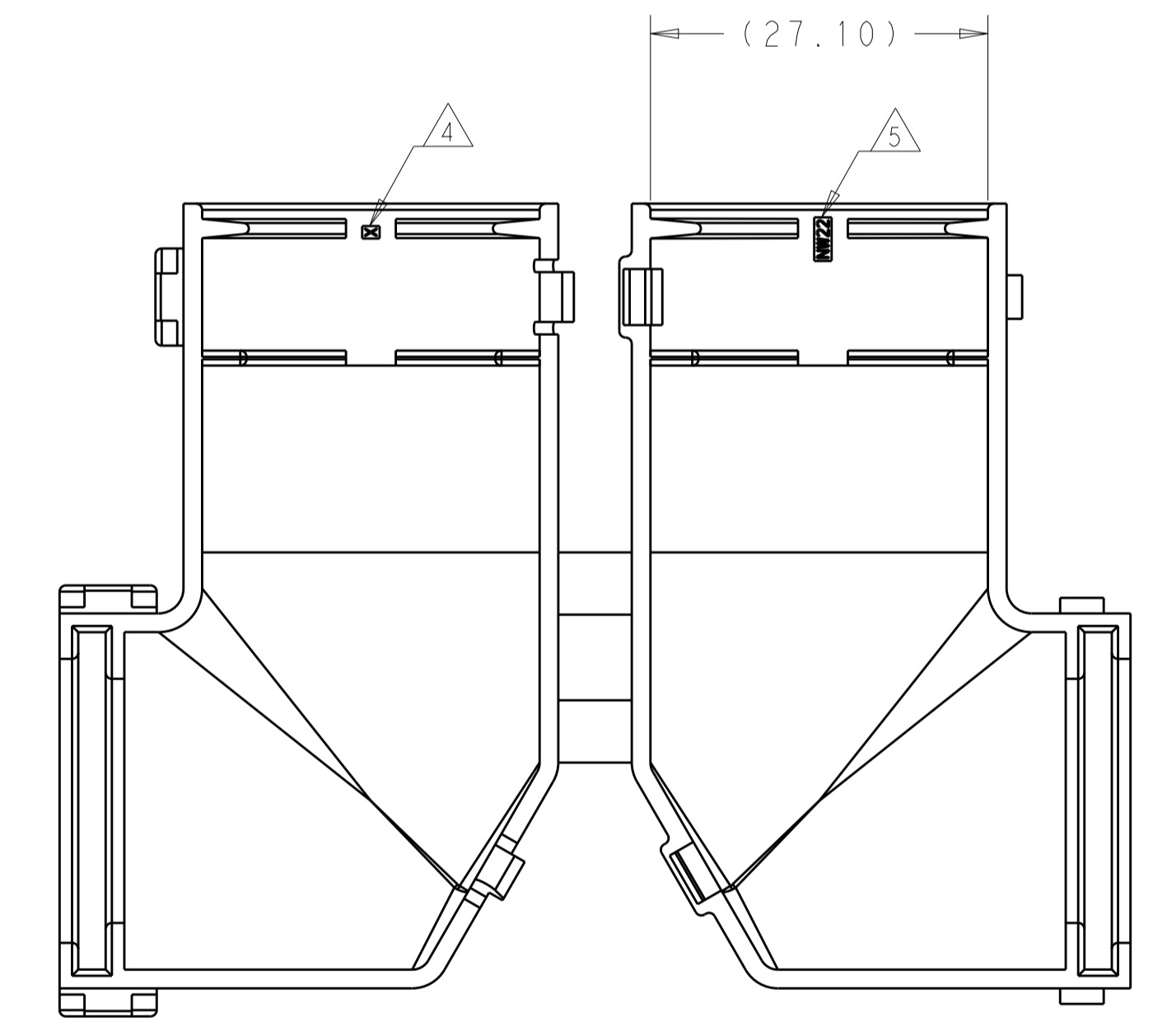


REVISIONS				
P.	LTN	DESCRIPTION	DATE	APVD
A1		ECO-20-009712	10JUL2020	DS DS

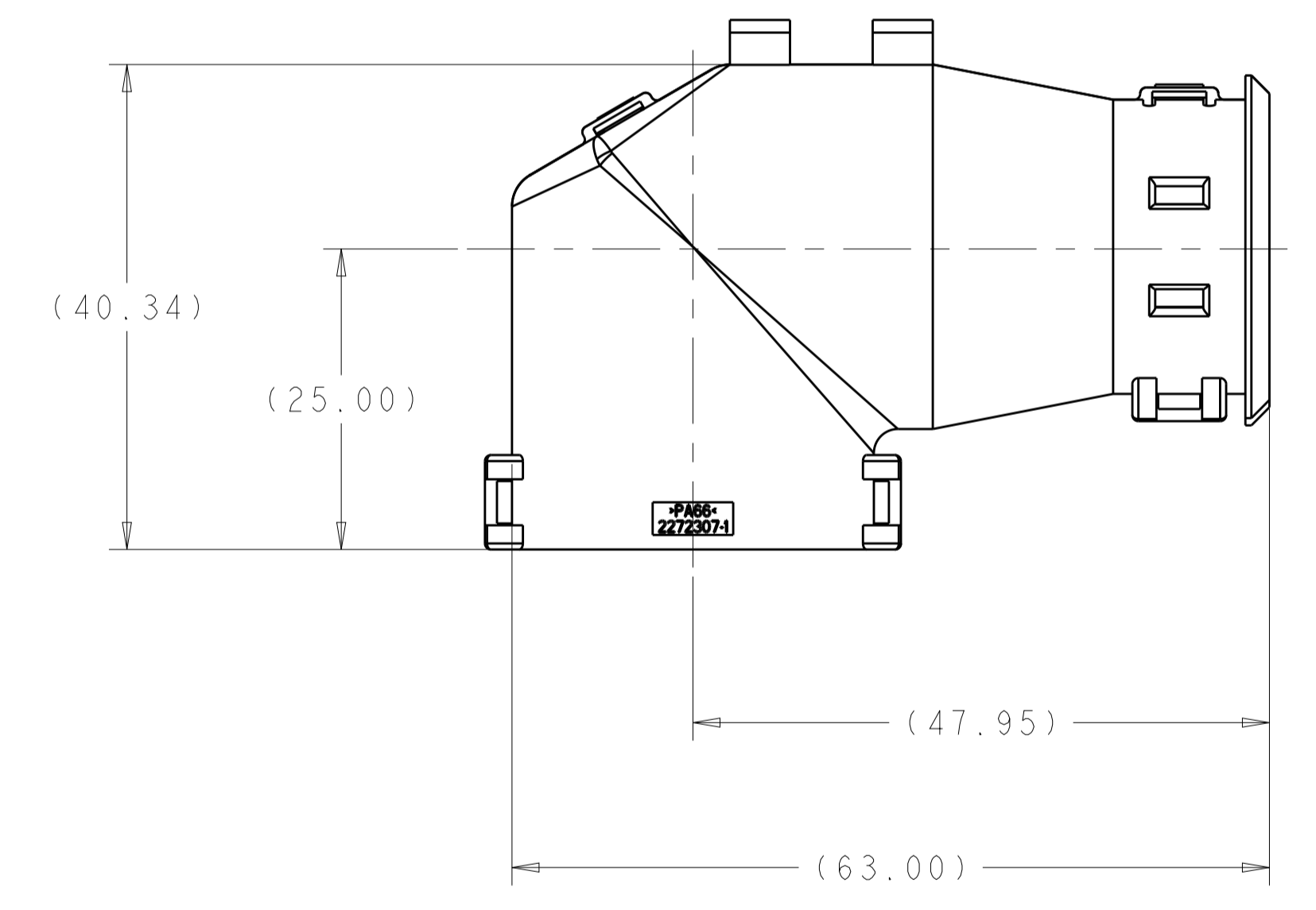


2272307-1 SHOWN

- ① MATERIAL: UNFILLED PBT, BLACK
- ② COMPANY LOGO
- ③ MATERIAL ID >PBT<
- ④ MOLD CAVITY ID
- ⑤ NW CHARACTERS, CONDUIT SIZE
- ⑥ TE PART NUMBER
- ⑦ DATE CODE WHEEL, MONTH AND YEAR



2272307-2 SHOWN




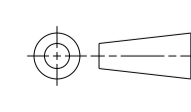
NW22	2272307-2
SMOOTH	2272307-1
CORREGATE	PART NUMBER

THIS DRAWING IS A CONTROLLED DOCUMENT.		DWN D STRAUSSER 9JAN2015	NAME	
DIMENSIONS:		CHK M MAYER 15MAR2017	AMPSEAL ML CONNECTOR WIRE SHIELD ELBOW	
TOLERANCES UNLESS OTHERWISE SPECIFIED:		APVD D STRAUSSER 13MAR2018	RESTRICTED TO	
mm	0 PLC ±0.5	PRODUCT SPEC	SIZE CAGE CODE DRAWING NO	
	1 PLC ±0.3	108-151063	A1 - C=2272307	
	2 PLC ±0.15	APPLICATION SPEC	SCALE SHEET OF REV	
	3 PLC ±	114-151063	2:1 1 OF 2 A1	
	4 PLC ±	WEIGHT 11.74g		
	ANGLES ±°	CUSTOMER DRAWING		
MATERIAL	FINISH			

THIS DRAWING IS UNPUBLISHED. RELEASED FOR PUBLICATION 20  
 © COPYRIGHT 20 BY - ALL RIGHTS RESERVED.

REVISIONS				
P.	LTN	DESCRIPTION	DATE	APVD
-	-	SEE SHEET 1	-	-

C-2272307				STOCK DISPOSITION				
REVISION HISTORY				A: CONTINUE AS IS		D: USE OLD FIRST		
				B: REWORK		E: PARTS TO CONFORM		
				C: SCRAP		F: OTHER		
DATE	REV	CHANGES	REASON	APPROVAL	INVENTORY (A,B,C,D,E,F)	WORK IN PROCESS (A,B,C,F)	SUPPLIER ORDERS (A,E,F)	OPEN CUST ORDERS (A,E,F)
12JAN2015	1	INITIAL RELEASE	-	D. STRAUSSER	-	-	-	-

THIS DRAWING IS A CONTROLLED DOCUMENT.		DWN	D. STRAUSSER	5FEB2014	 TE Connectivity
DIMENSIONS:		CHK	-	-	
TOLERANCES UNLESS OTHERWISE SPECIFIED:		APVD	-	-	NAME
mm	0 PLC ±0.5	PRODUCT SPEC		AMPSEAL ML CONNECTOR	
	1 PLC ±0.3	APPLICATION SPEC		WIRE SHIELD ELBOW	
	2 PLC ±0.15	WEIGHT		-	
	3 PLC ±	MATERIAL		TBD	
	4 PLC ±	FINISH		-	
ANGLES	±2°	CUSTOMER DRAWING		SCALE	5:1
MATERIAL		CUSTOMER DRAWING		SHEET	2 OF 2
FINISH		CUSTOMER DRAWING		REV	A1

## X-ON Electronics

Largest Supplier of Electrical and Electronic Components

*Click to view similar products for [Automotive Connectors](#) category:*

*Click to view products by [TE Connectivity](#) manufacturer:*

Other Similar products are found below :

[003-018-000](#) [60403001](#) [60993906-B](#) [M902-2131](#) [M902-2161](#) [72.330.1035.1](#) [73.353.4028.0](#) [F119300-B](#) [F166900](#) [F258300-B](#) [F358300-B](#)  
[F407400](#) [F444110](#) [F487000](#) [F509500B-B](#) [827153-1](#) [8N1515-32-24P](#) [9-1326729-8](#) [925474-1](#) [928905-1](#) [964562-4](#) [968782-1](#) [GT17SA-8DS-](#)  
[HU](#) [98891-1012](#) [98947-1016](#) [12004147](#) [12004475-L](#) [12010290](#) [12010309-B](#) [12015454](#) [12020219-B](#) [12020308](#) [12041318-B](#) [12052225-L](#)  
[12052466](#) [12059125](#) [12064869](#) [12004327-B](#) [12010503-B](#) [12015308](#) [12015384](#) [12015909](#) [1-21030-1](#) [12041254](#) [12041318](#) [12047946-B](#)  
[12047957](#) [12047957-L](#) [12059473](#) [12066261](#)