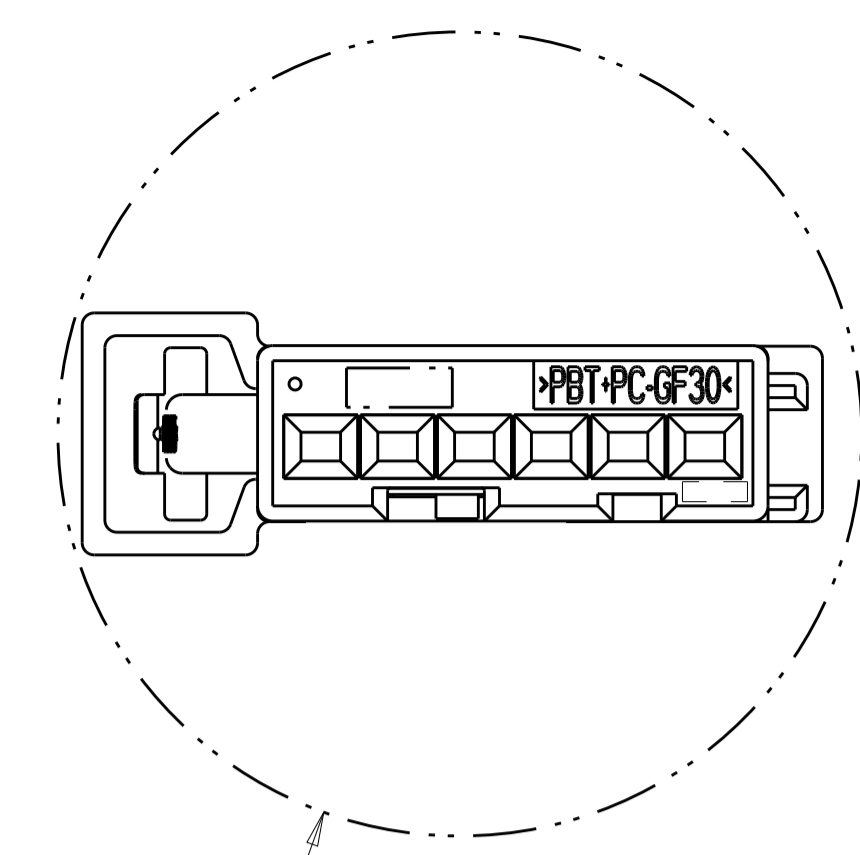
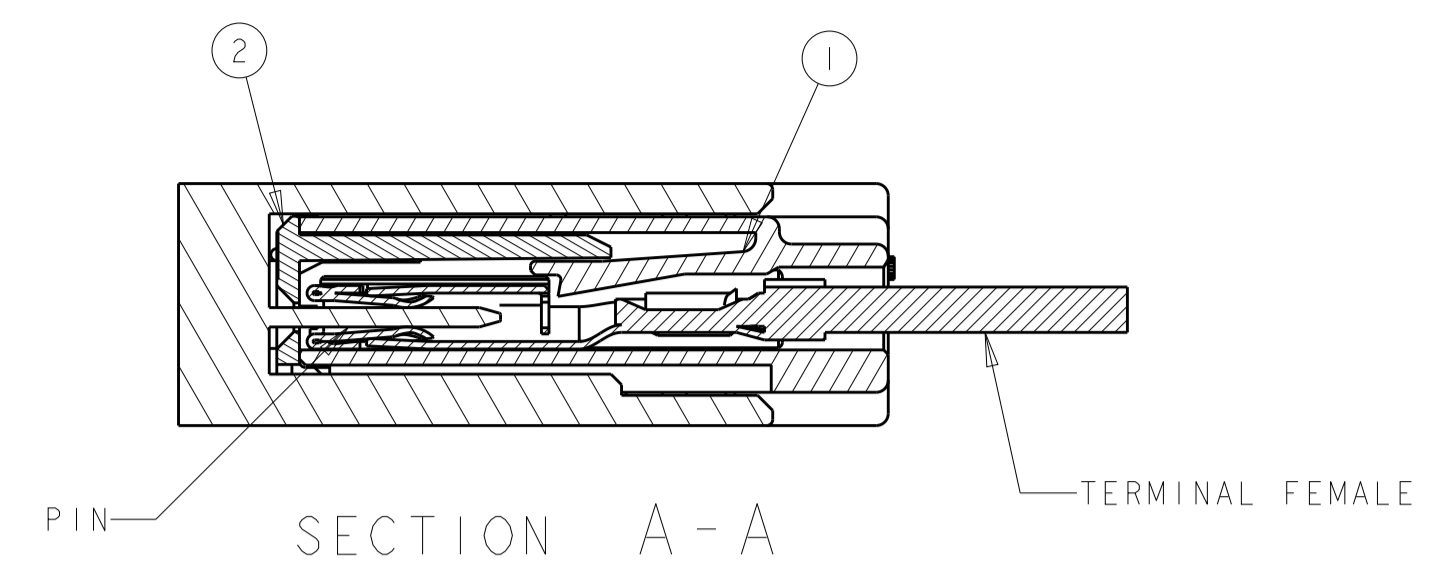
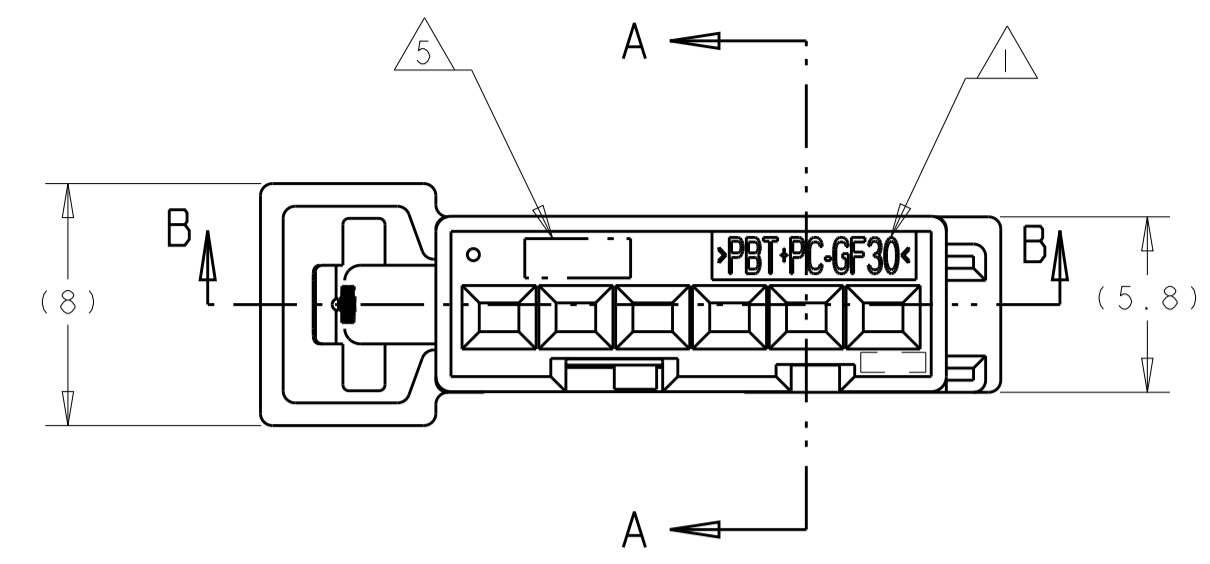
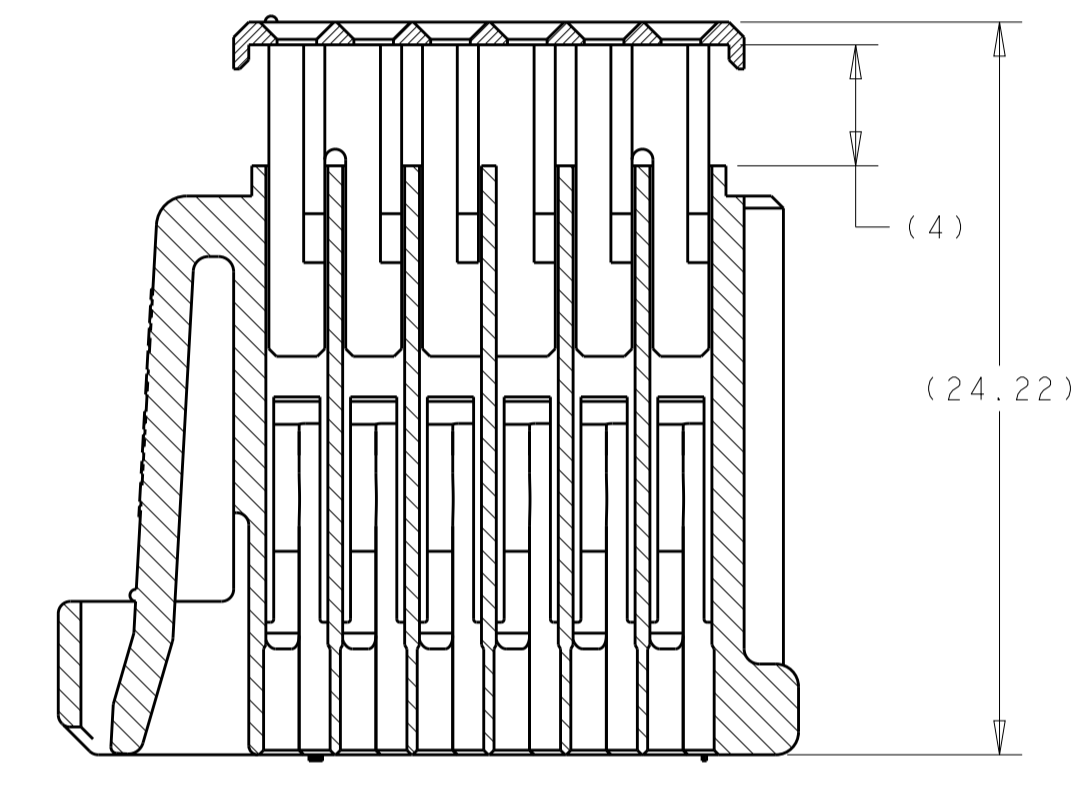
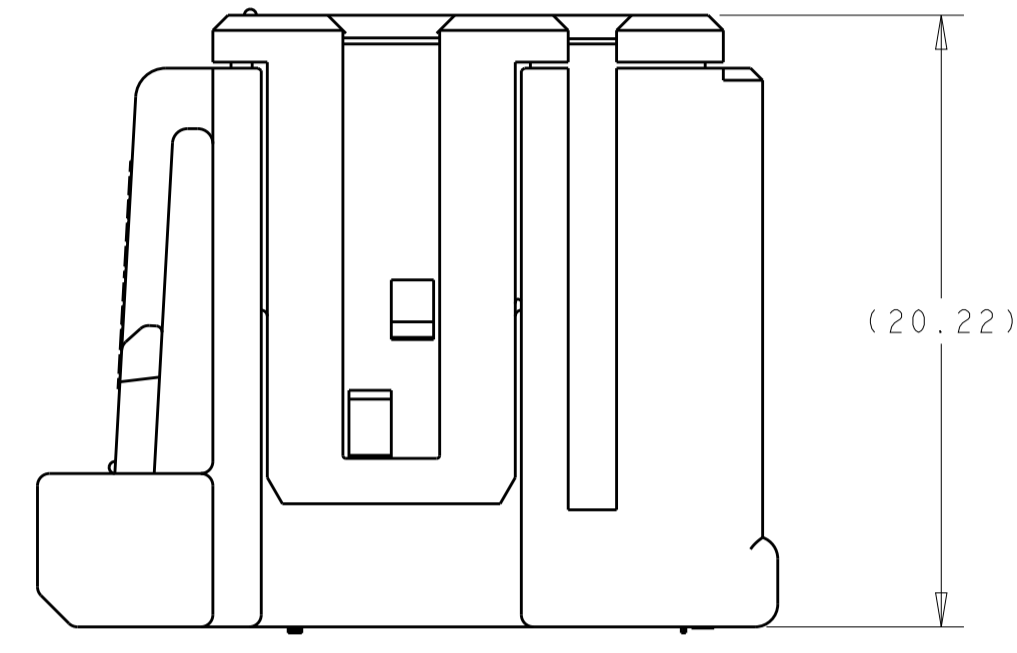
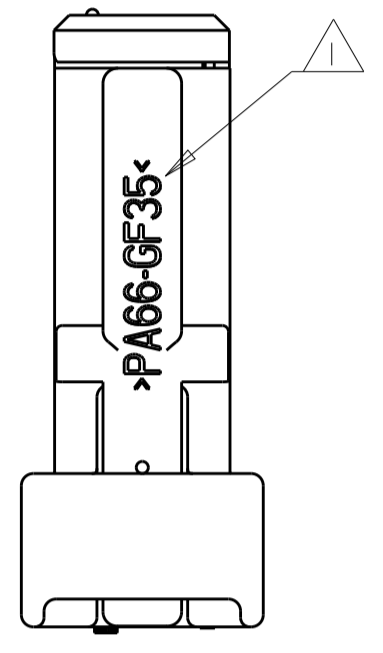


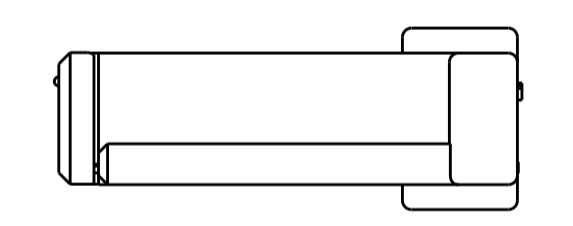
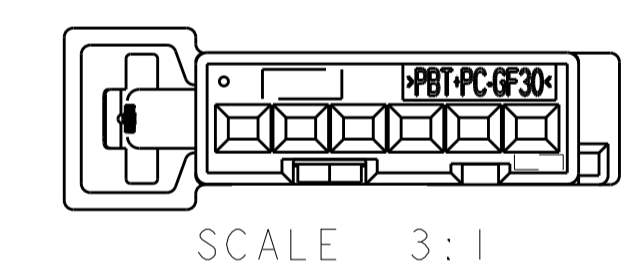
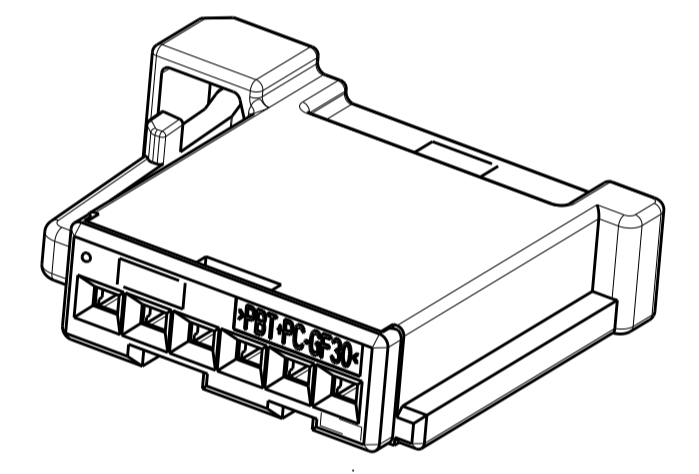
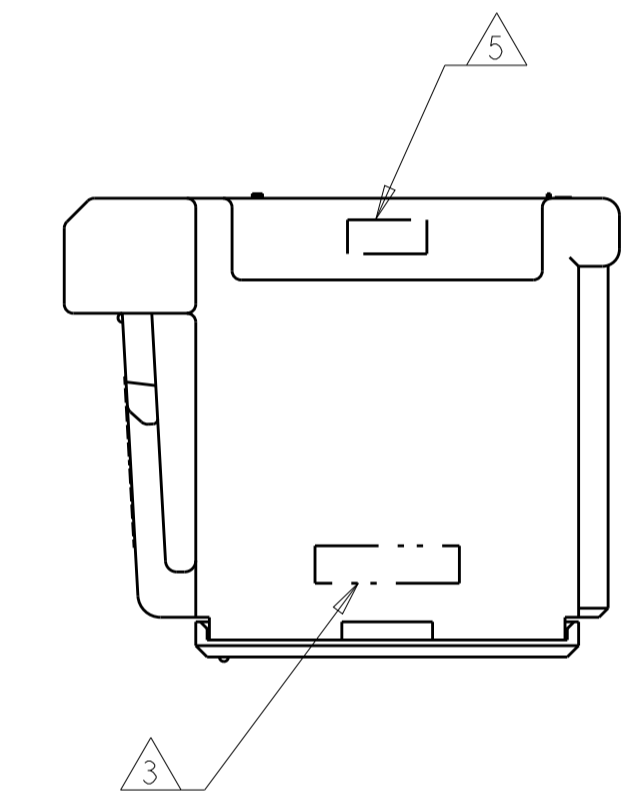
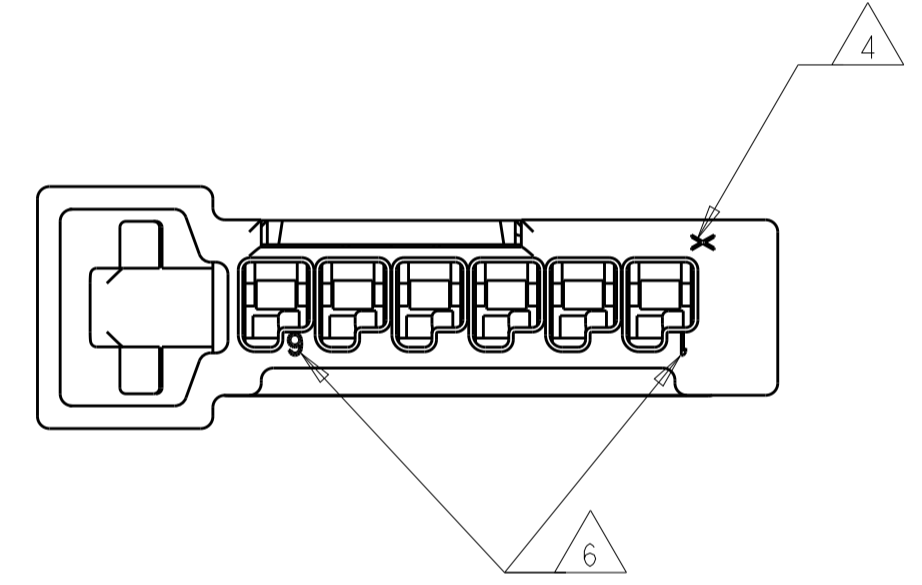
REVISIONS				
P.	LTN	DESCRIPTION	DATE	APP'D
A		RELEASED PER ECO-14-010938	18JUL2014	DD RL
A1		REVISED PER ECO-16-013871	21SEP2016	DD RL



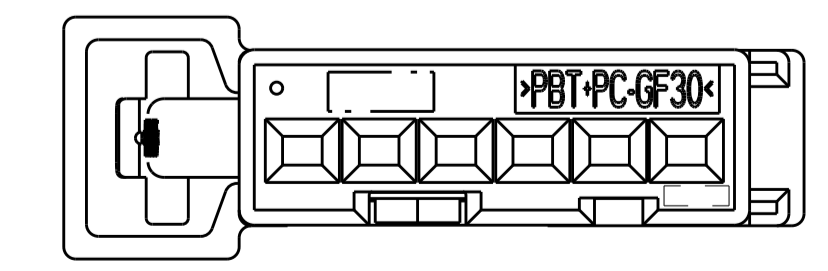
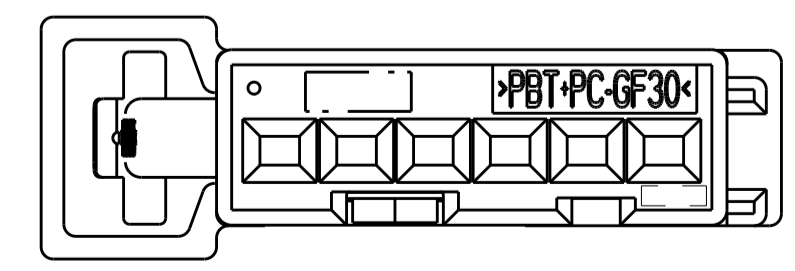
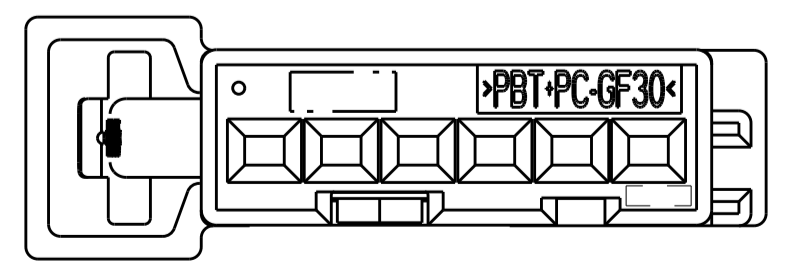
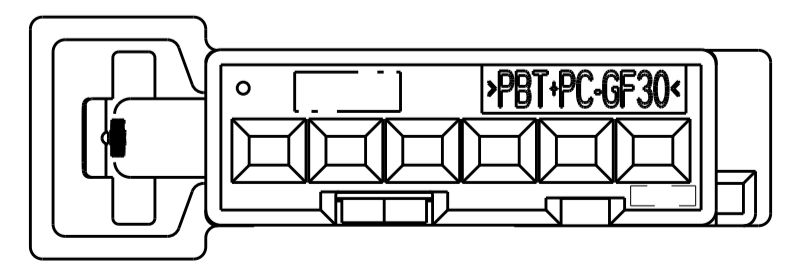
- △ MATERIAL IDENTIFICATION SYMBOLS.
- 2. 0.2 mm MAXIMUM RADIUS PERMISSIBLE ON EDGES AND FILLETS SHOWN AS SHARP FOR PLASTIC PARTS.
- △ 3. PRODUCTION DATE CODE (YY-DDD-HH) AND ASSEMBLY PART NUMBER APPLIED IN APPROXIMATE LOCATION.
- △ 4. TOOL CAVITY NUMBER
- △ 5. COMPANY LOGO
- △ 6. TERMINAL CAVITY IDENTIFICATION NUMBER.
- 7. FOLLOW TE# 408-32134 FOR PROPER SPACER ENGAGEMENT.



Ø26.58  
 MIN FEED THROUGH CONDITION  
 (1mm CLEARANCE ALL THE WAY  
 AROUND INCLUDED)



KEYING OPTIONS



2272431-1

2272431-2

2272431-3

2272431-4

KEYING OPTION "A"

KEYING OPTION "B"

KEYING OPTION "C"

KEYING OPTION "D"

QTY REQ'D PER ASSY	DESCRIPTION	MATERIAL	COLOR	ITEM
1	SPACER	>PBT+PC-GF30<	RED	2
1	HOUSING, KEY D	>PA66-GF35<	BLACK	1
1	HOUSING, KEY C	>PA66-GF35<	BLACK	1
1	HOUSING, KEY B	>PA66-GF35<	BLACK	1
1	HOUSING, KEY A	>PA66-GF35<	BLACK	1

THIS DRAWING IS A CONTROLLED DOCUMENT. DWG: D. DRUMMOND 02APR2014  
 CHK: R. LACUESTA 02APR2014  
 APP'D: R. LACUESTA 02APR2014

DIMENSIONS: mm  
 TOLERANCES UNLESS OTHERWISE SPECIFIED:  
 0 PLC ±.01  
 1 PLC ±.02  
 2 PLC ±.03  
 3 PLC ±.04  
 4 PLC ±.05  
 ANGLES ±.5°

MATERIAL: - FINISH: - WEIGHT: -

CUSTOMER DRAWING

NAME: PLUG ASSEMBLY, 1X6 UNSEALED, SIDE LATCH  
 SIZE: A100779  
 CAGE CODE: 2272431  
 DRAWING NO: 2272431-4  
 SCALE: 4:1 SHEET 1 OF 1 REV: A1

STE TE Connectivity

## X-ON Electronics

Largest Supplier of Electrical and Electronic Components

*Click to view similar products for [Automotive Connectors](#) category:*

*Click to view products by [TE Connectivity](#) manufacturer:*

Other Similar products are found below :

[003-018-000](#) [60403001](#) [60993906-B](#) [M902-2131](#) [M902-2161](#) [72.330.1035.1](#) [73.353.4028.0](#) [F119300-B](#) [F166900](#) [F258300-B](#) [F358300-B](#)  
[F407400](#) [F444110](#) [F487000](#) [F509500B-B](#) [827153-1](#) [8N1515-32-24P](#) [9-1326729-8](#) [925474-1](#) [928905-1](#) [964562-4](#) [968782-1](#) [GT17SA-8DS-](#)  
[HU](#) [98891-1012](#) [98947-1016](#) [12004147](#) [12004475-L](#) [12010290](#) [12010309-B](#) [12015454](#) [12020219-B](#) [12020308](#) [12041318-B](#) [12052225-L](#)  
[12052466](#) [12059125](#) [12064869](#) [12004327-B](#) [12010503-B](#) [12015308](#) [12015384](#) [12015909](#) [1-21030-1](#) [12041254](#) [12041318](#) [12047946-B](#)  
[12047957](#) [12047957-L](#) [12059473](#) [12066261](#)