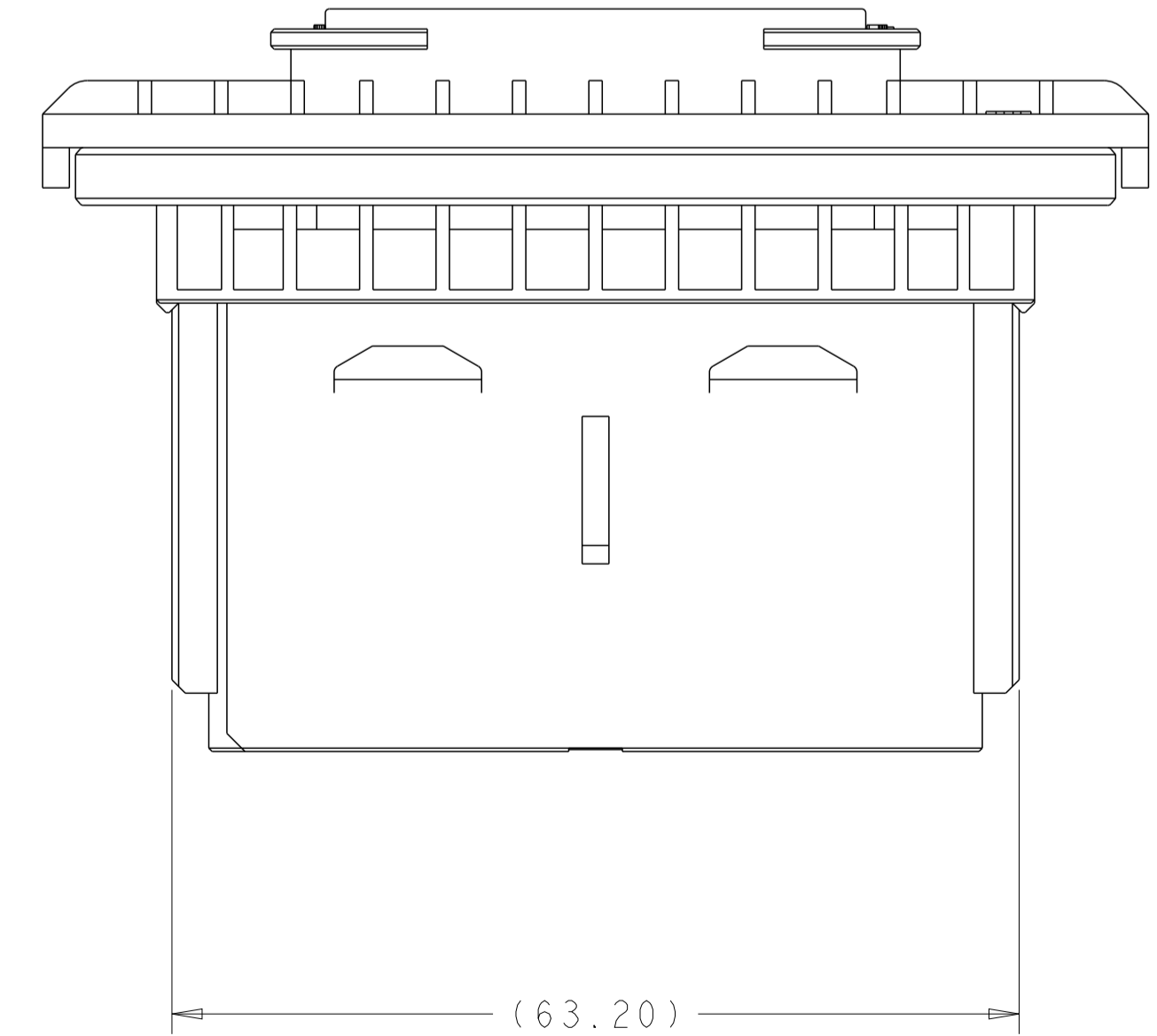
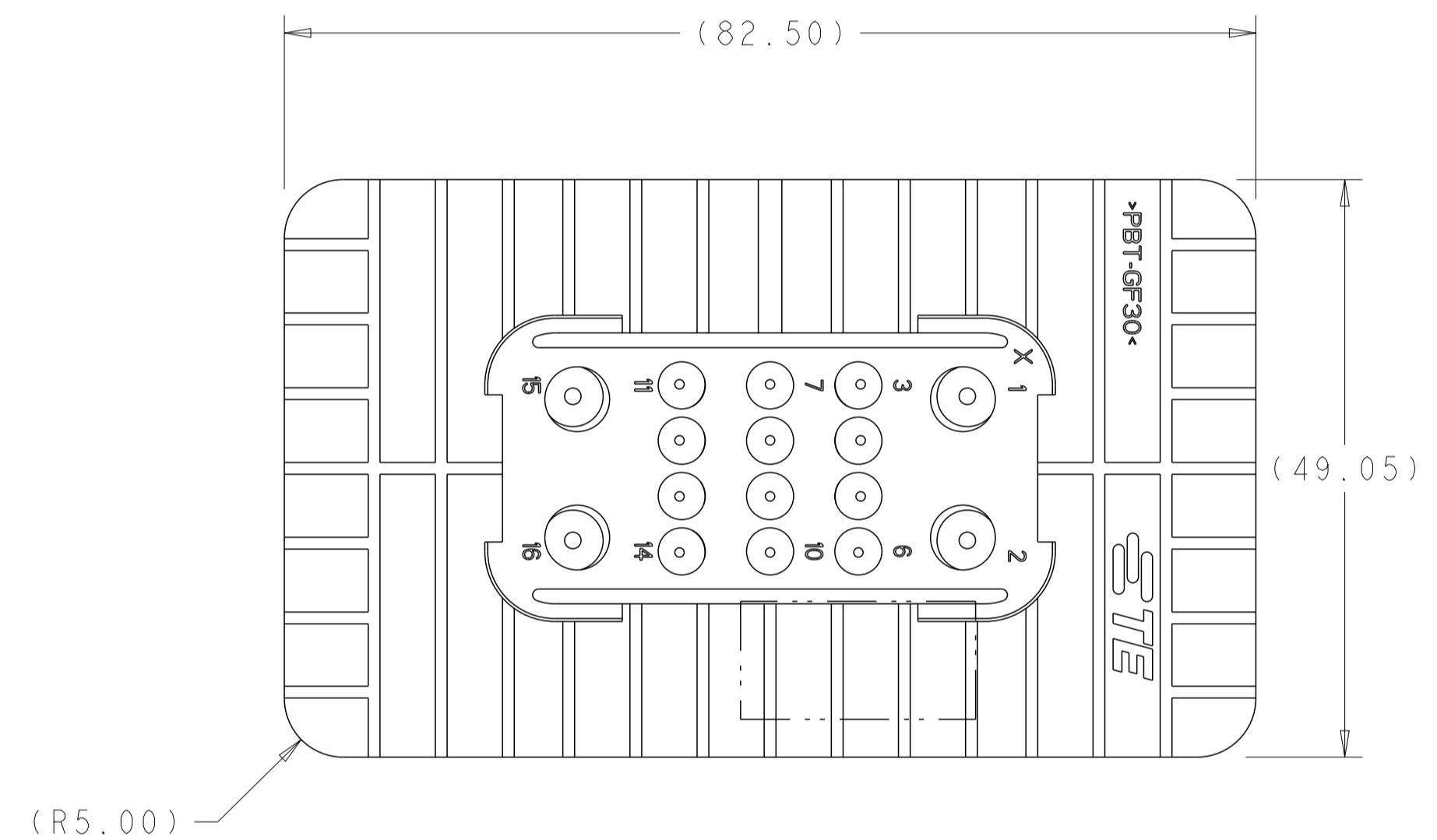
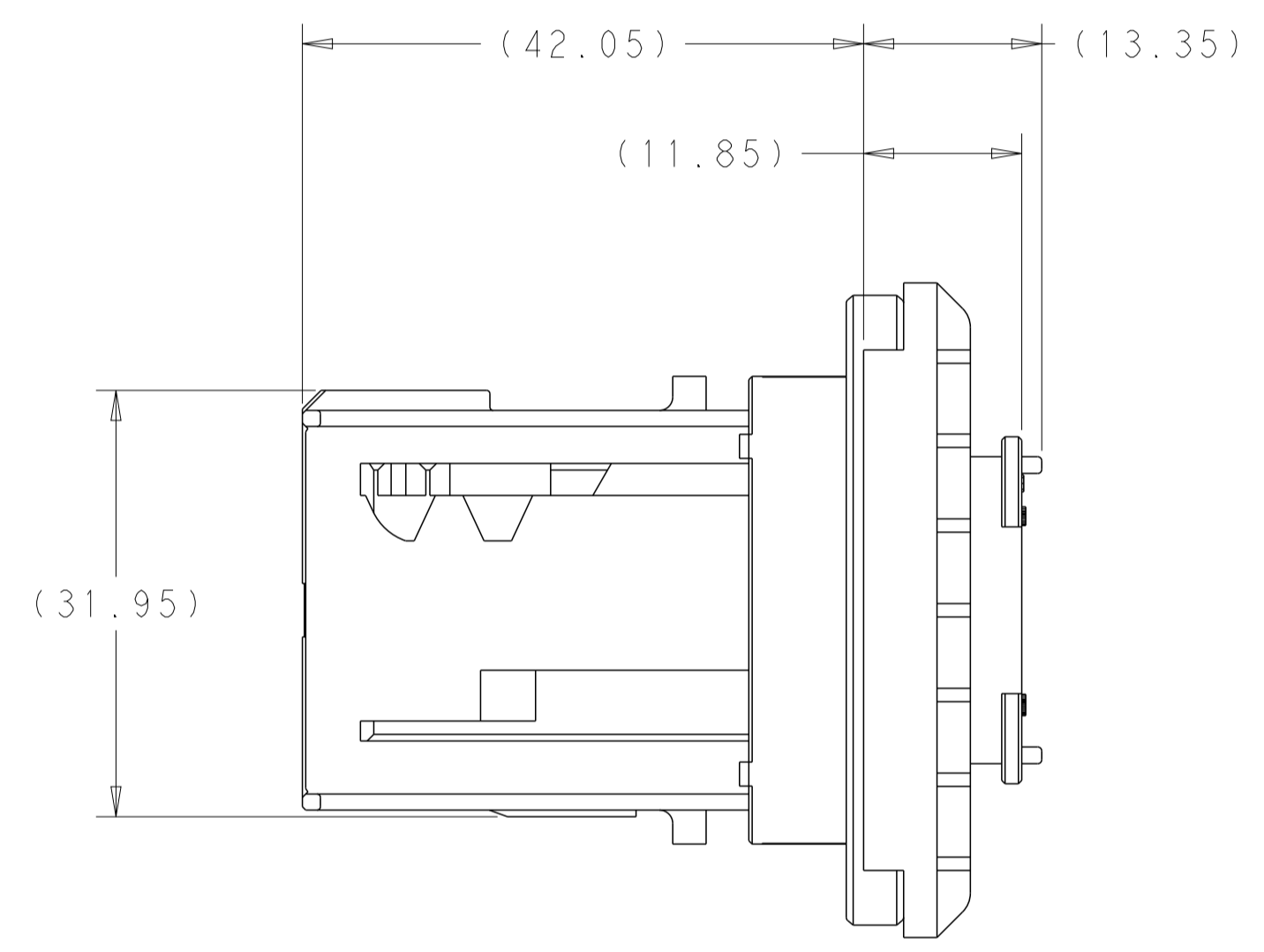
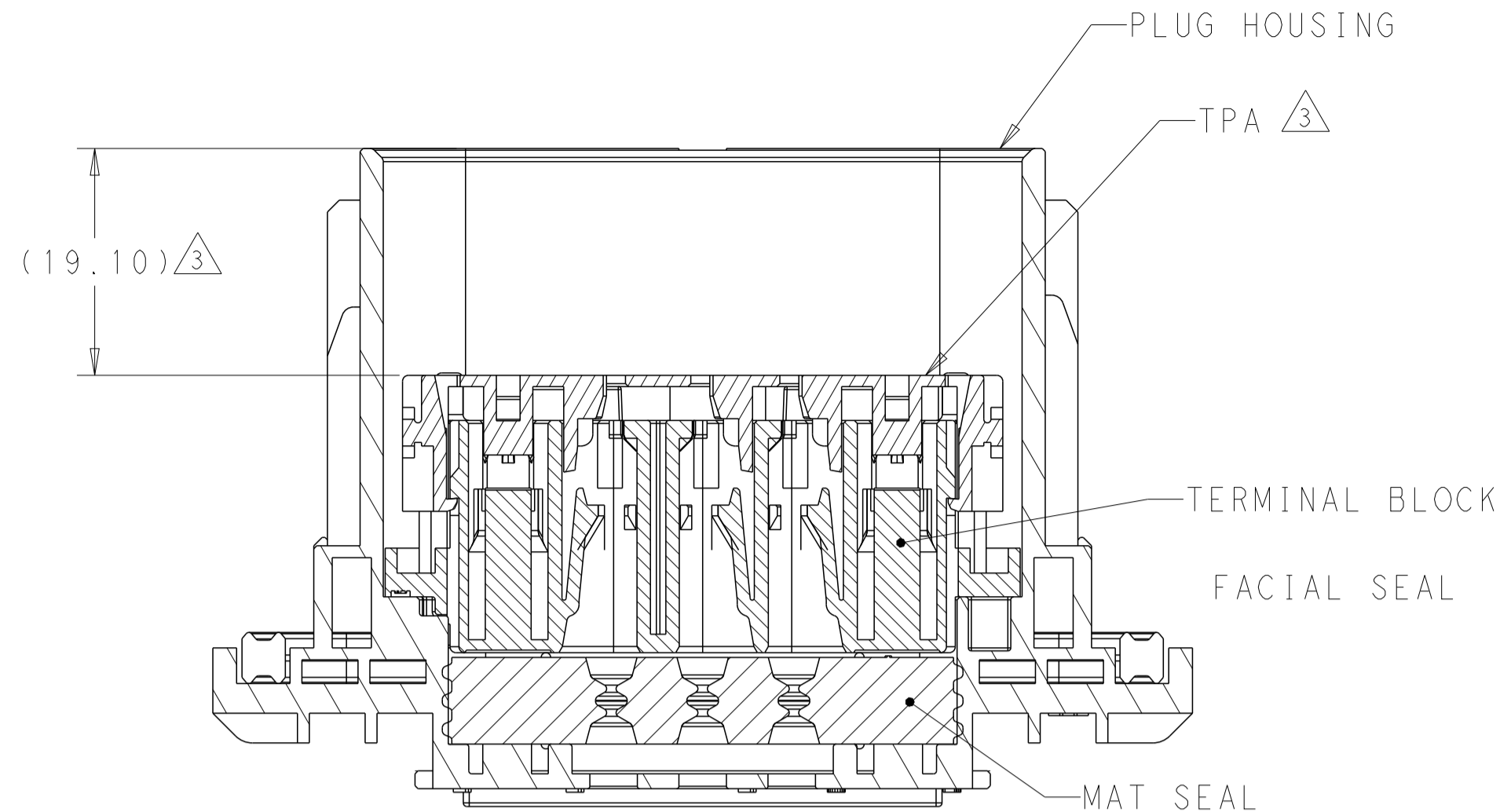
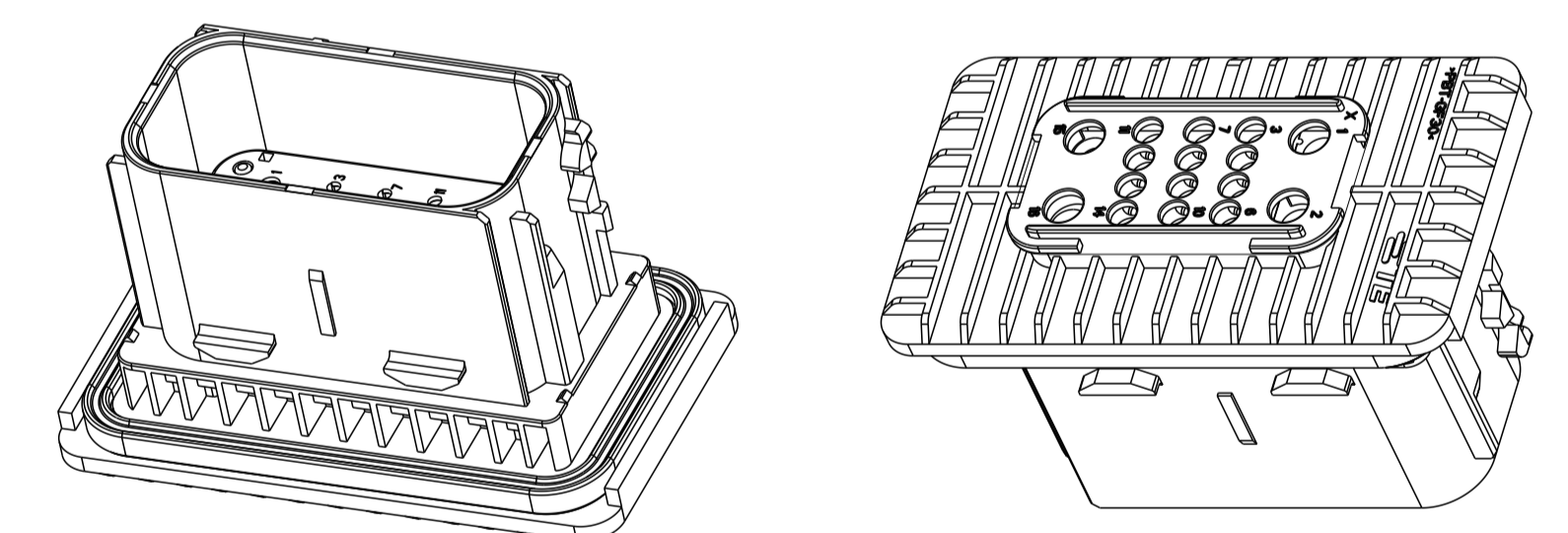


REVISIONS				
P	LTN	DESCRIPTION	DATE	APVD
A		RELEASED ECO-20-007466	02JUN2020	DS DS



1. MATING PART: TE P/N 2203859.
2. USE CORRUGATE TUBING NW21
3. TPA SHOWN IN PRE-STAGED (AS SHIPPED) POSITION.
4. KEY MARKING IN APPROXIMATE AREA SHOWN.
5. ASSEMBLY P/N AND DATE CODE MARKED IN APPROXIMATE AREA SHOWN. SEE TABLE FOR P/N TO KEY RELATIONSHIP.
6. SEE TABLE FOR CAP HOUSING COLOR TO KEY RELATIONSHIP.
7. USE MOUNTING CLIP, TE P/N 2203876. SEE TABLE ON SHEET 2 FOR RECOMMENDED PANEL THICKNESSES.

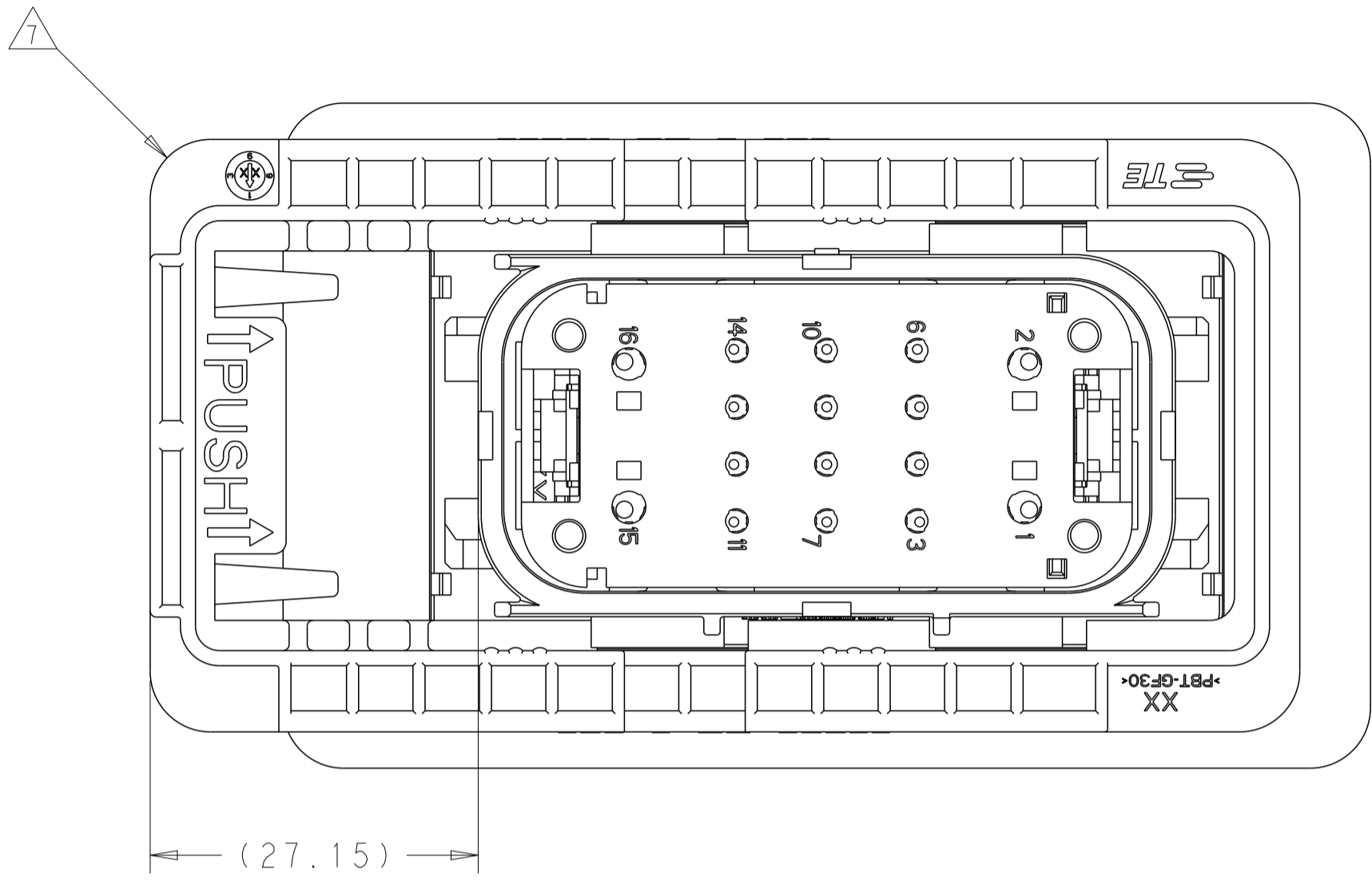


CIRCUITS	COLOR	DESCRIPTION	PART NO
24 POSITION (4) SIZE 12 (20) SIZE 20	GRAY	CAP ASSEMBLY, 24 POSITION, KEY F	2272889-6
	BROWN	CAP ASSEMBLY, 24 POSITION, KEY E	2272889-5
	BLACK	CAP ASSEMBLY, 24 POSITION, KEY D	2272889-4
16 POSITION (4) SIZE 12 (12) SIZE 16	GRAY	CAP ASSEMBLY, 16 POSITION, KEY C	2272889-3
	BROWN	CAP ASSEMBLY, 16 POSITION, KEY B	2272889-2
	BLACK	CAP ASSEMBLY, 16 POSITION, KEY A	2272889-1

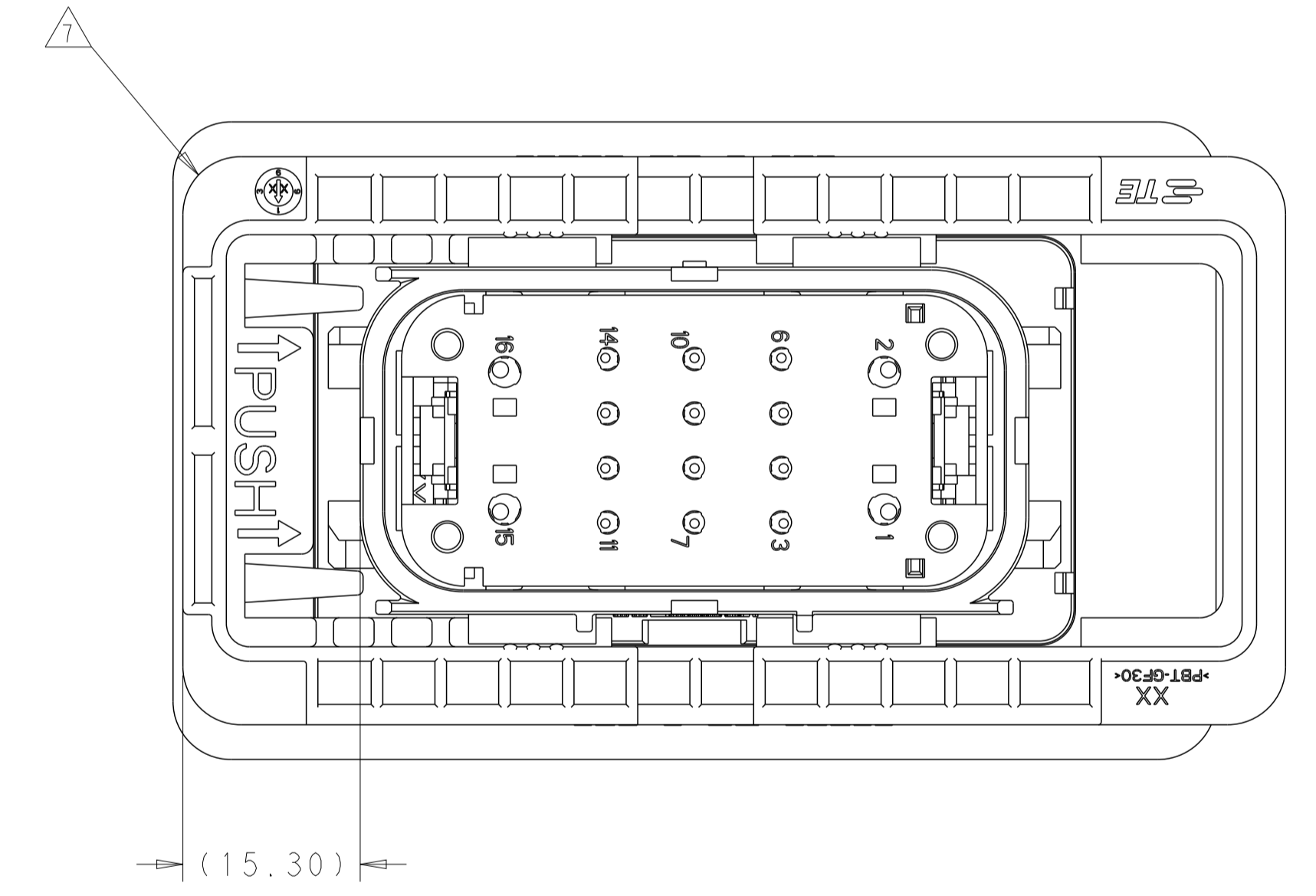
PARTS LIST

THIS DRAWING IS A CONTROLLED DOCUMENT.		OWN: D STRAUSSER 12FEB2014	TE Connectivity NAME: AMPSEAL ML CAP ASSEMBLY	
DIMENSIONS: mm		CHK: D STRAUSSER		
TOLERANCES UNLESS OTHERWISE SPECIFIED:		APVD: D STRAUSSER 02JUN2020	RESTRICTED TO	
0 PLC ±	1 PLC ±	PRODUCT SPEC	SIZE: A1	CAGE CODE: -
2 PLC ±	3 PLC ±	APPLICATION SPEC	SCALE: 2:1	SHEET 1 OF 3
4 PLC ±	ANGLES ±	114-151063	REV: A	
MATERIAL: -	FINISH: -	WEIGHT: 79g	CUSTOMER DRAWING	

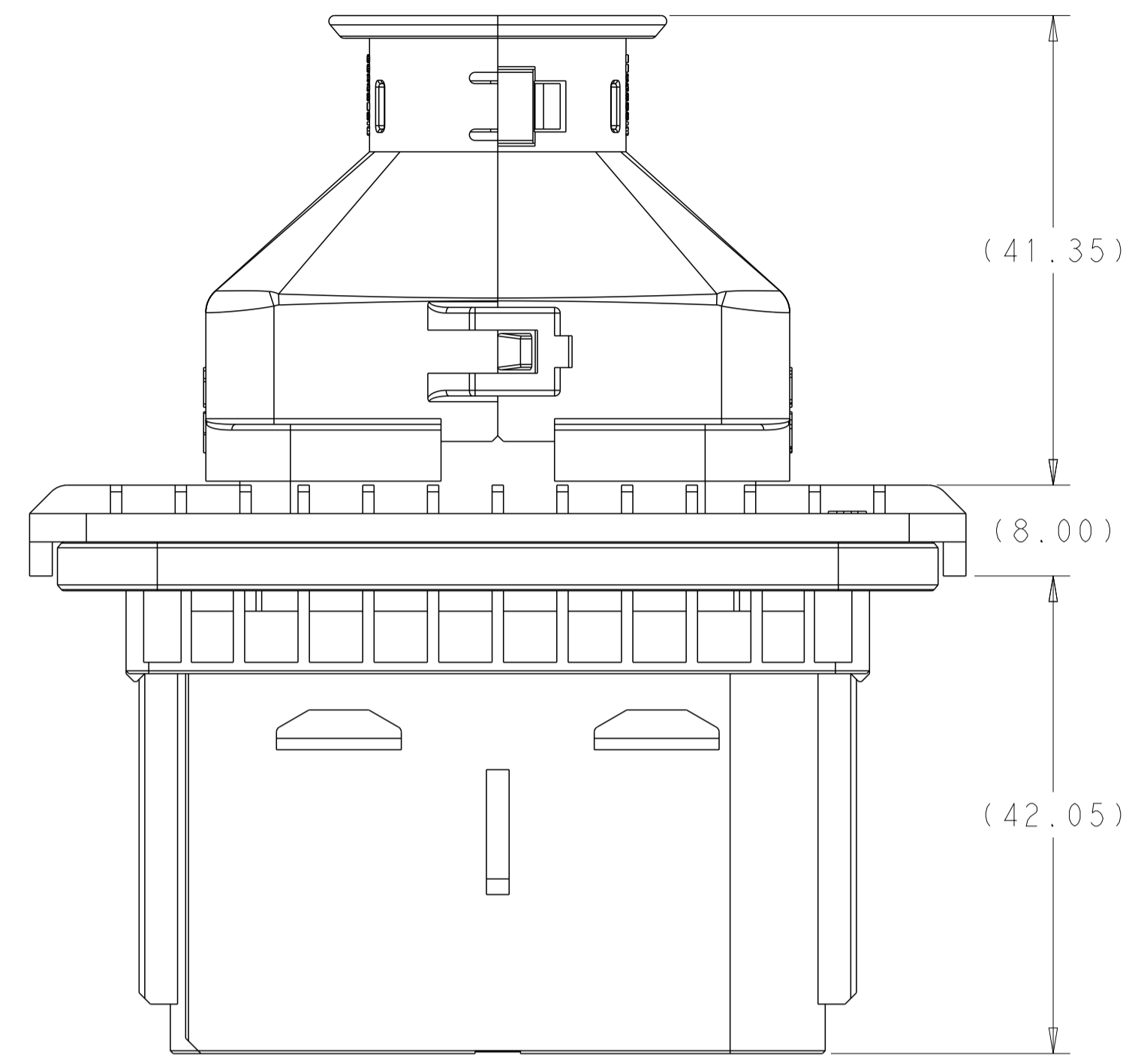
REVISIONS				
P	LTN	DESCRIPTION	DATE	APVD
-	-	SEE SHEET 1	-	-



MOUNTING CLIP IN PRE-LATCHED POSITION

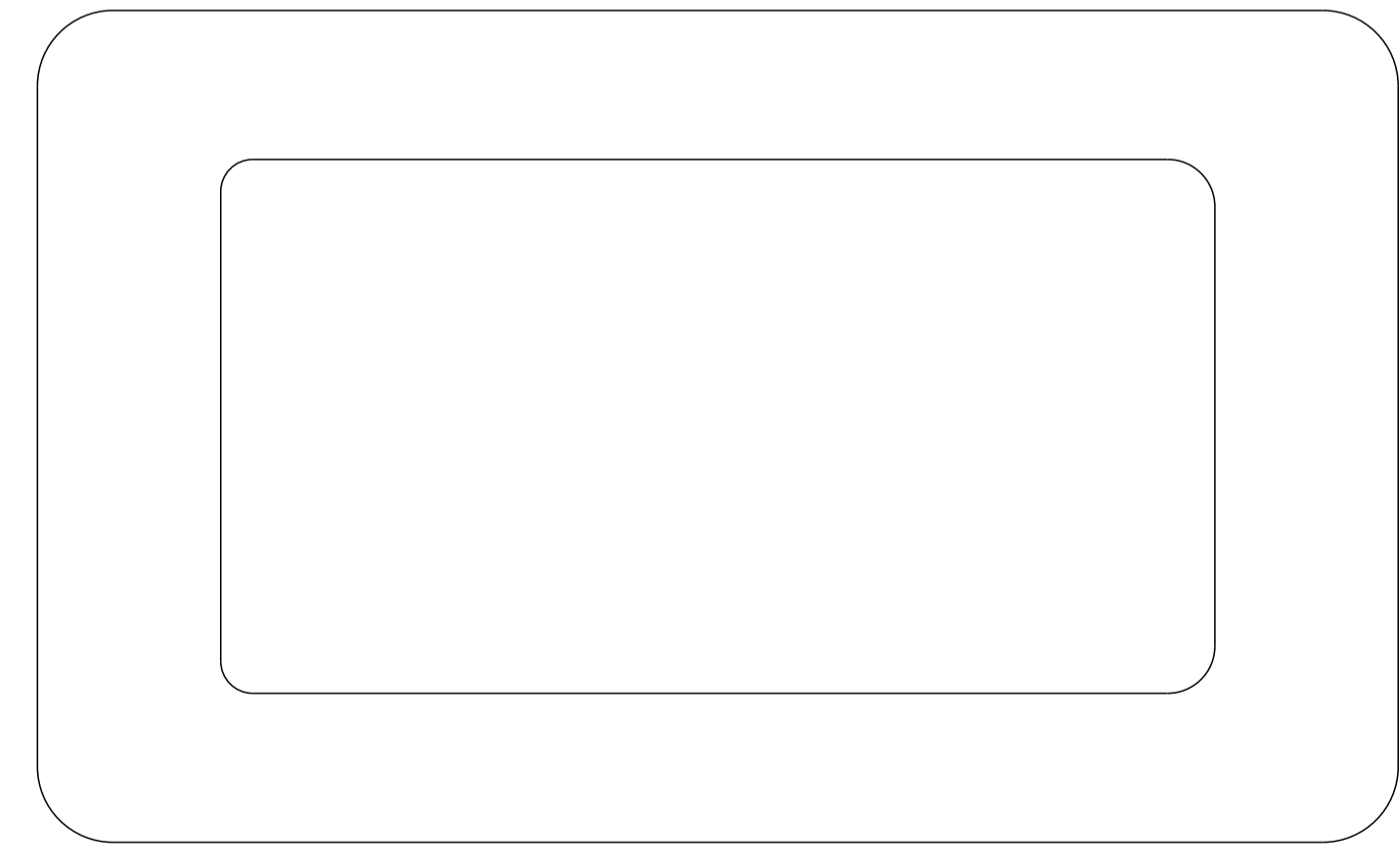
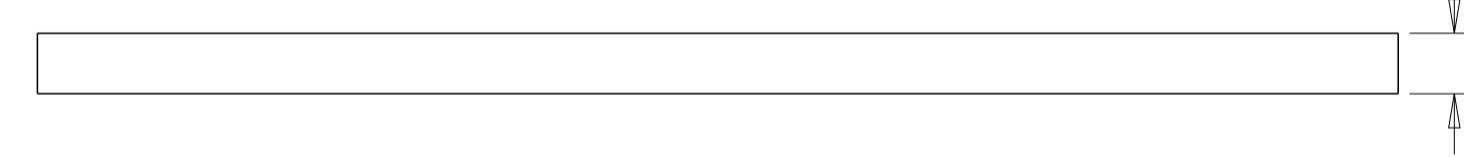


MOUNTING CLIP IN LATCHED POSITION

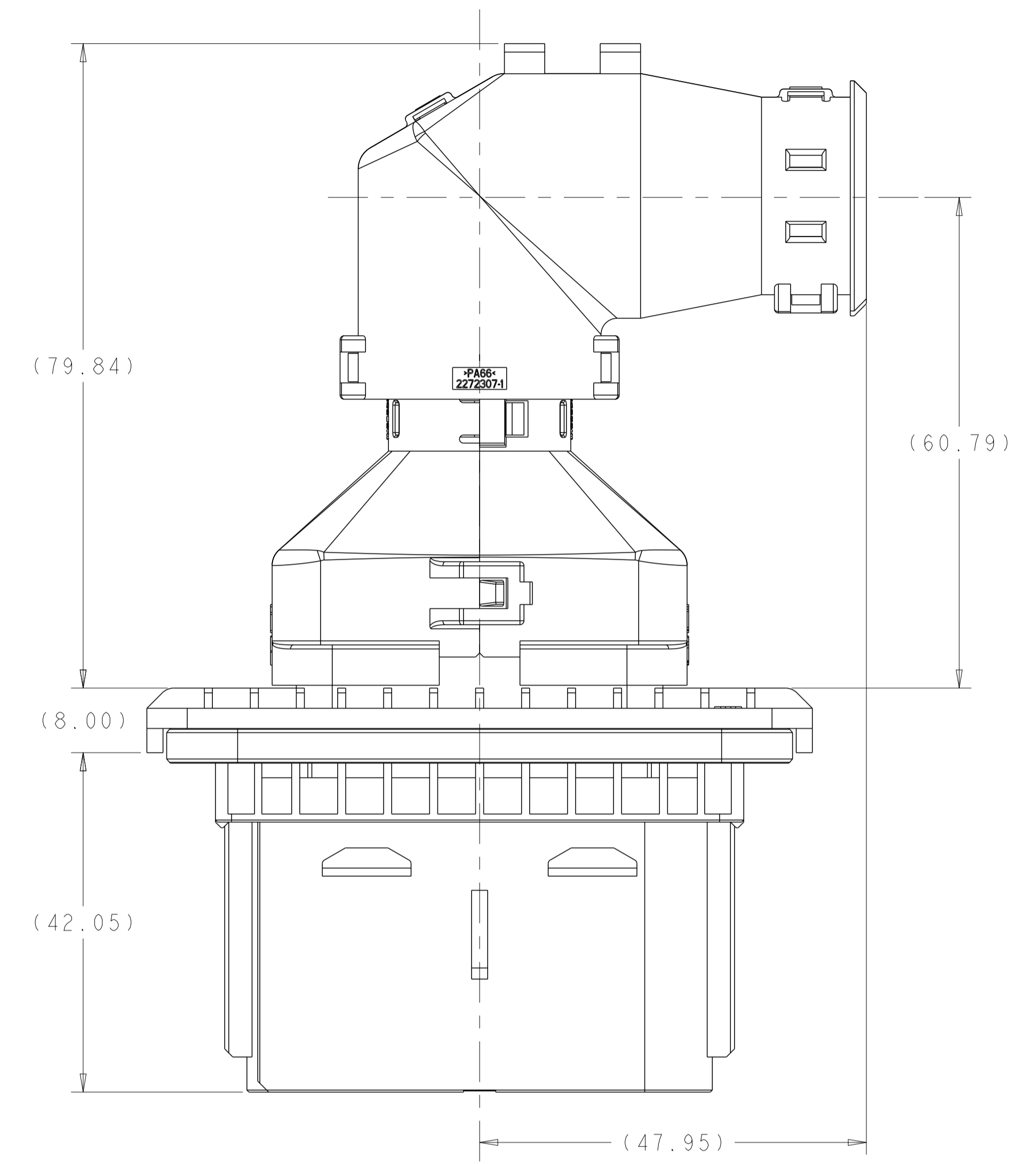


CAP ASSEMBLY WITH OPTIONAL WIRE SHIELD, PN 2203956

DIM A ± 0.10



SUGGESTED PANEL CUT-OUT



CAP ASSEMBLY WITH OPTIONAL WIRE SHIELD, PN 2203956
 90° ELBOW, PN 2272307

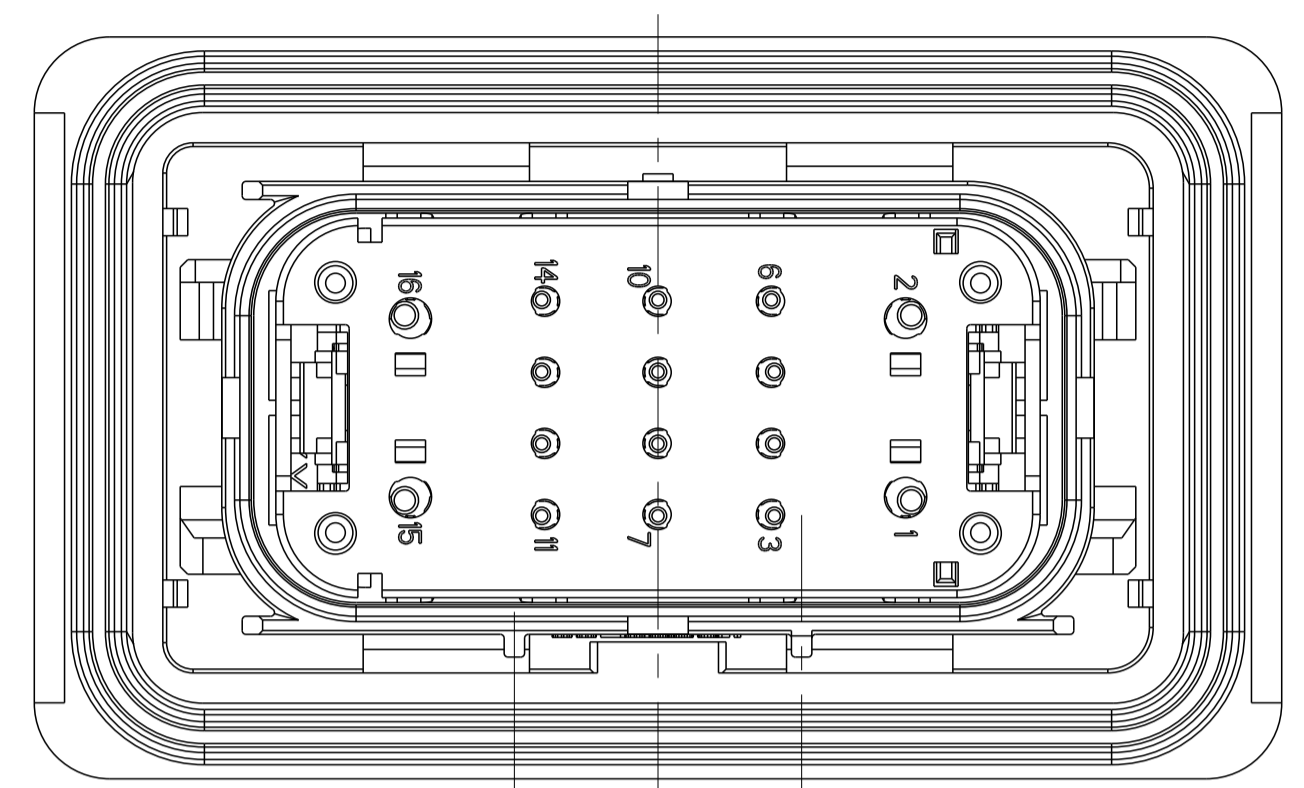
COLOR	DIM A PANEL THICKNESS	PART NO
BLACK	3.0 \pm 0.10	2203876-3
YELLOW	4.0 \pm 0.10	2203876-2
RED	5.0 \pm 0.10	2203876-1

MOUNTING CLIP INFORMATION

THIS DRAWING IS A CONTROLLED DOCUMENT.

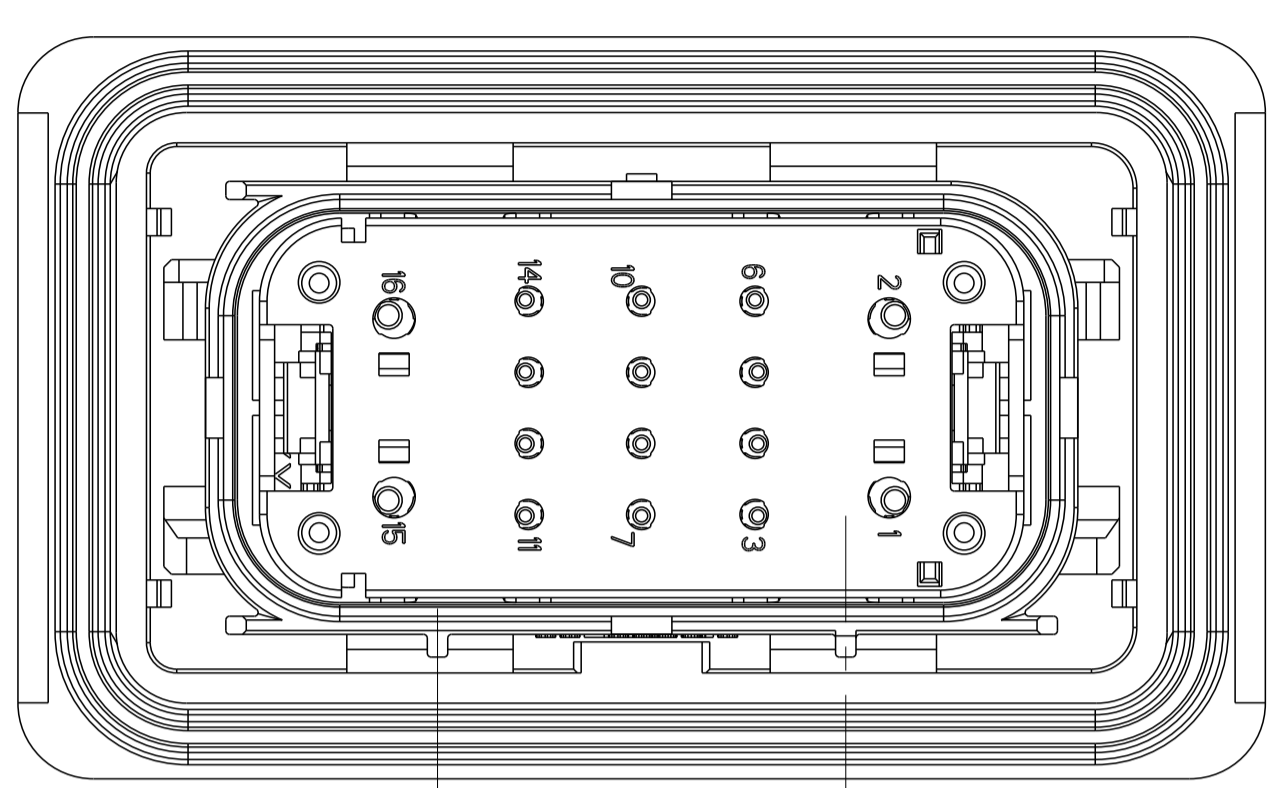
DWN	D STRAUSSER	12FEB2014	TE Connectivity NAME AMPSEAL ML CAP ASSEMBLY					
CHK	D STRAUSSER	-						
APVD	D STRAUSSER	02JUN2020						
PRODUCT SPEC	108-151063							
APPLICATION SPEC	114-151063		SIZE	CAGE CODE	DRAWING NO	RESTRICTED TO		
MATERIAL	-	WEIGHT	A1	-	C=2272889	-		
FINISH	-	CUSTOMER DRAWING	SCALE	2:1	SHEET	2 OF 3	REV	A

REVISIONS				
P	LTN	DESCRIPTION	DATE	APVD
-	-	SEE SHEET 1	-	-



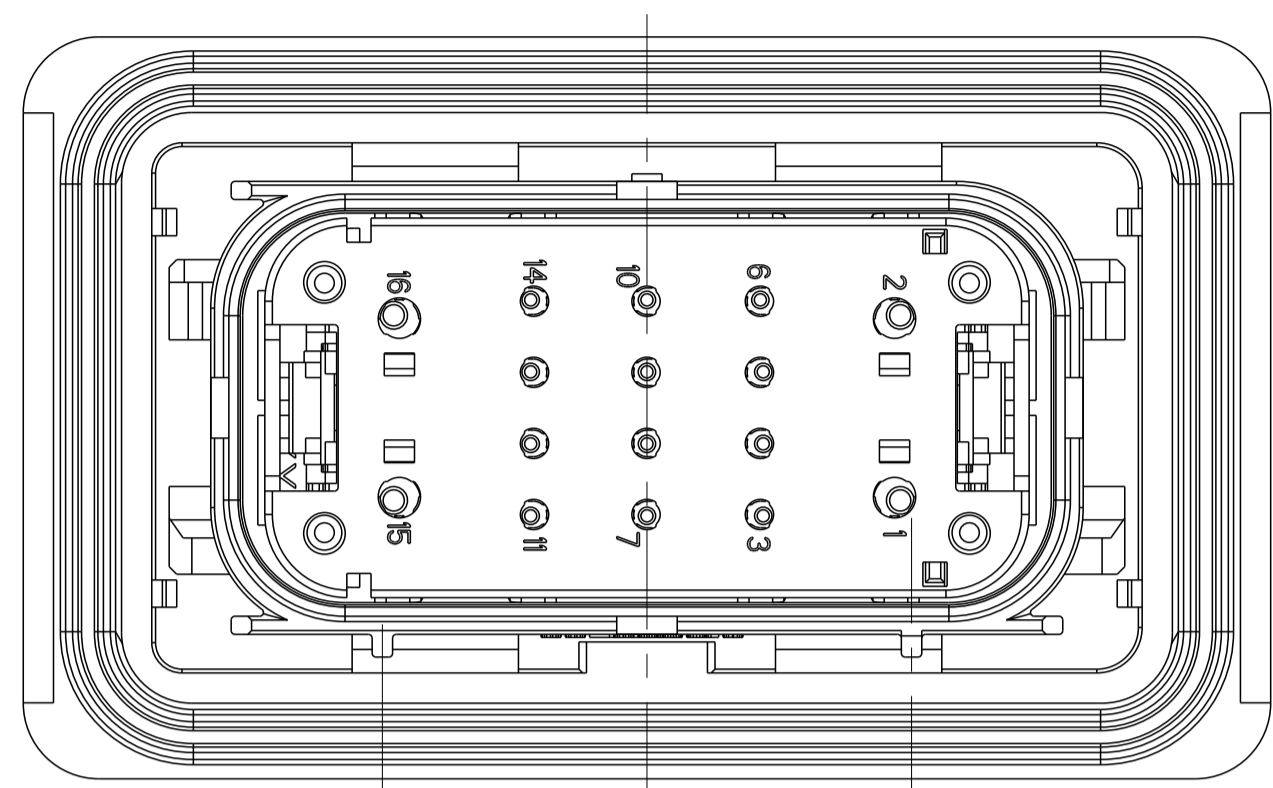
9.50 9.50

2203866-1
16 POSITION
KEY A



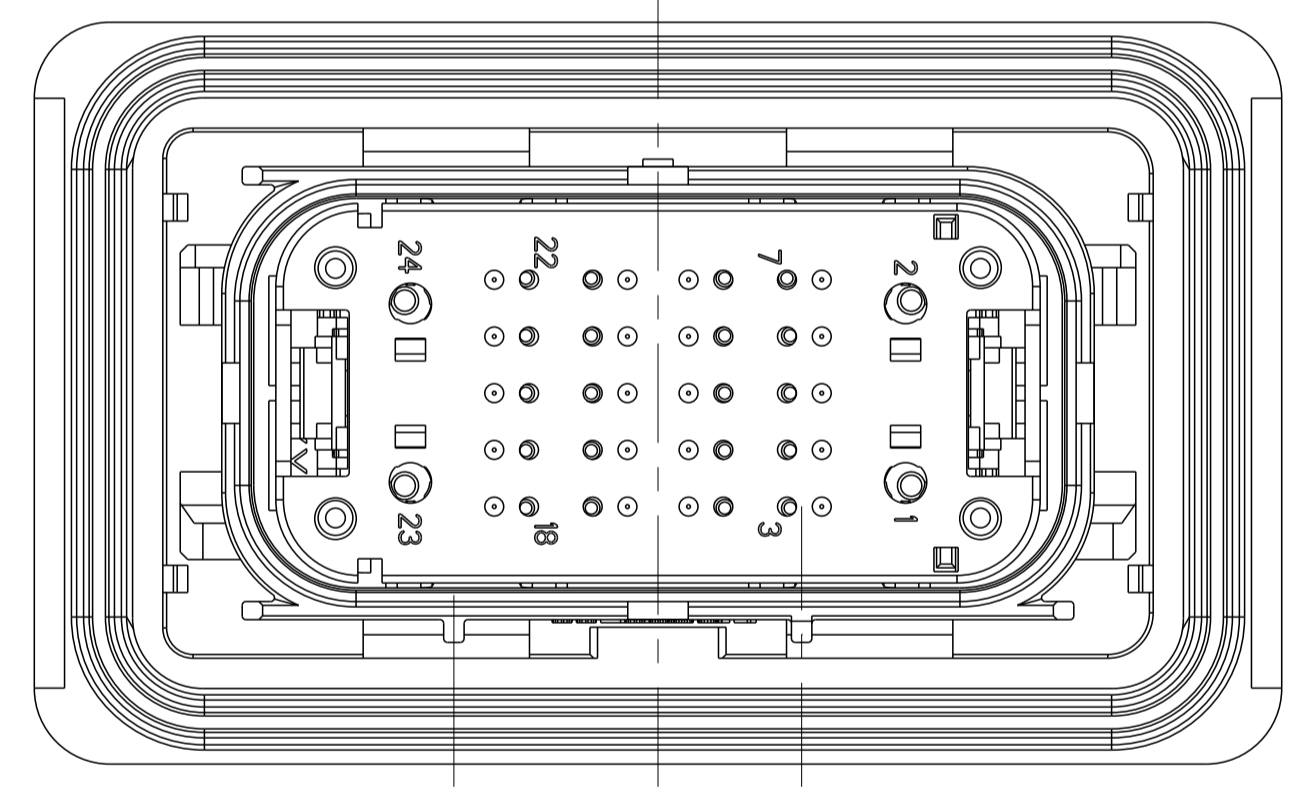
13.50 13.50

2203866-2
16 POSITION
KEY B



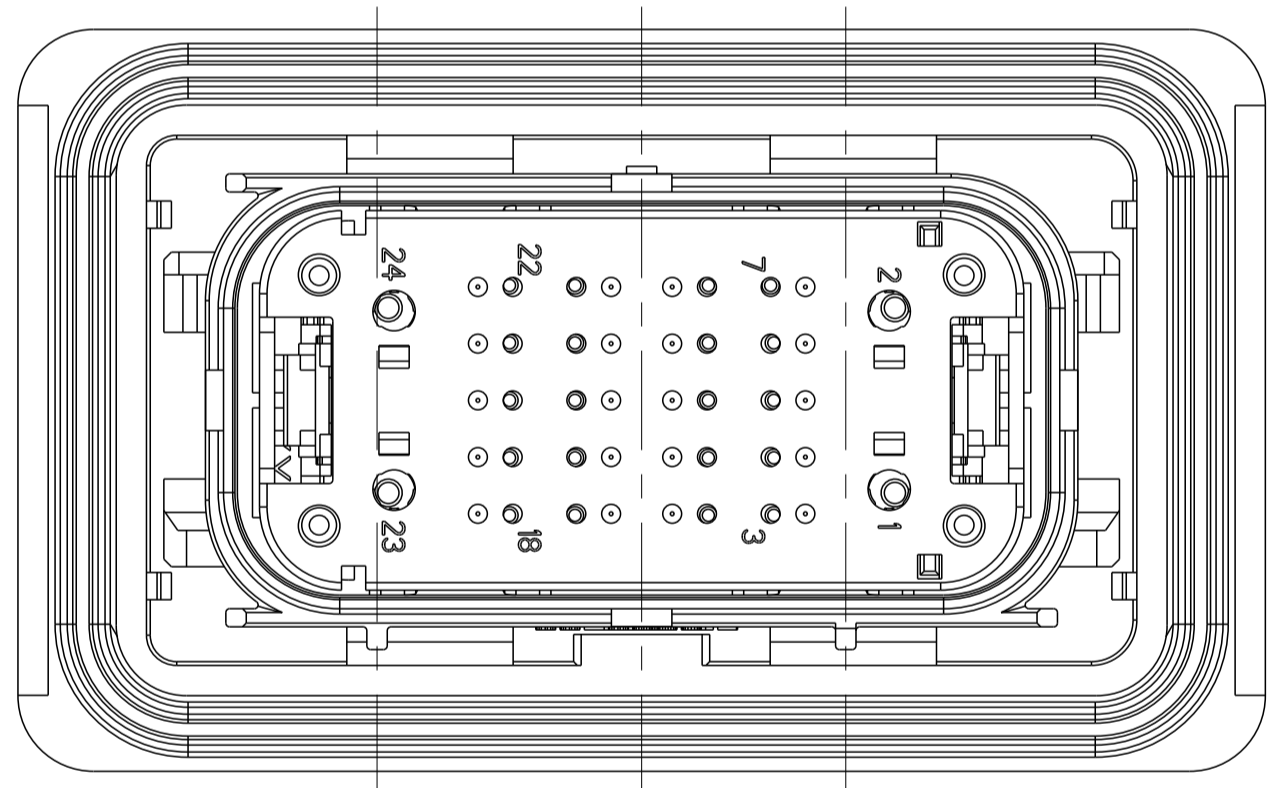
17.50 17.50

2203866-3
16 POSITION
KEY C



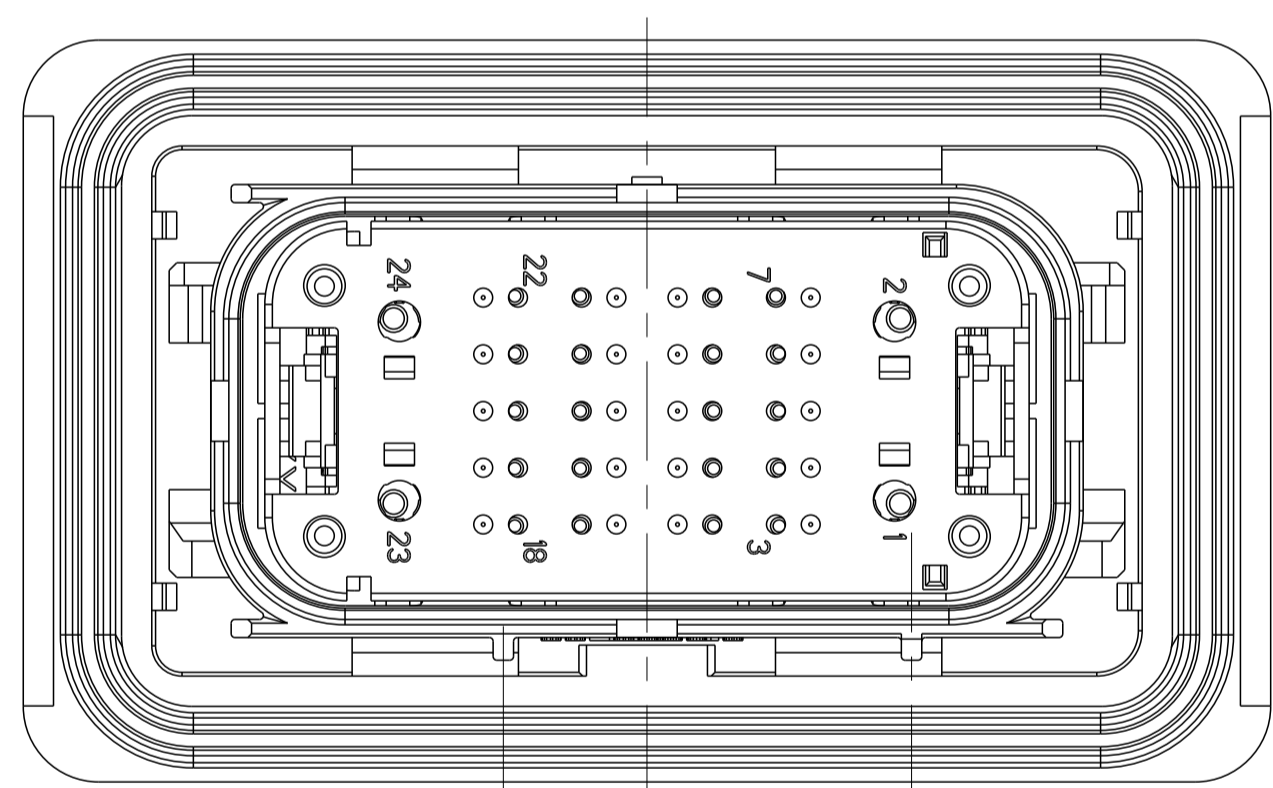
13.50 9.50

2203866-4
24 POSITION
KEY D



17.50 13.50

2203866-5
24 POSITION
KEY E



9.50 17.50

2203866-6
24 POSITION
KEY F

THIS DRAWING IS A CONTROLLED DOCUMENT.		OWN: D STRAUSSER 12FEB2014	
DIMENSIONS: mm		CHK: D STRAUSSER	
TOLERANCES UNLESS OTHERWISE SPECIFIED: 0 PLC ± 1 PLC ± 2 PLC ± 3 PLC ± 4 PLC ± ANGLES ± FINISH ±		APVD: D STRAUSSER 02JUN2020	NAME: AMPSEAL ML CAP ASSEMBLY
MATERIAL: -		PRODUCT SPEC: 108-151063	RESTRICTED TO: -
FINISH: -		APPLICATION SPEC: 114-151063	SIZE: A1
CUSTOMER DRAWING		WEIGHT: 79g	SCALE: 2:1
		CAGE CODE: -	SHEET 3 OF 3
		DRAWING NO: C=2272889	REV: A

X-ON Electronics

Largest Supplier of Electrical and Electronic Components

Click to view similar products for [Automotive Connectors](#) category:

Click to view products by [TE Connectivity](#) manufacturer:

Other Similar products are found below :

[003-018-000](#) [60993906-B](#) [M902-2131](#) [M902-2161](#) [M902-2344](#) [72.330.1035.1](#) [73.353.4028.0](#) [F166900](#) [F358300-B](#) [F407400](#) [776880-1](#)
[827153-1](#) [8N1515-32-24P](#) [9-1326729-8](#) [925474-1](#) [928905-1](#) [964562-4](#) [968782-1](#) [98891-1012](#) [12004475-L](#) [12020308](#) [12041318-B](#)
[12052466](#) [12064869](#) [12015909](#) [1-21030-1](#) [12041254](#) [12041318](#) [12047946-B](#) [12110546-B](#) [12131792](#) [12084688](#) [12092346](#) [HD34-18-14PT](#)
[HD46-24-23SN-059](#) [HDB36-24-16PN-059](#) [HDP26-24-9SE-L015](#) [12185280](#) [12185550](#) [12336-12](#) [12191172-B](#) [12S](#) [13545280](#) [13577943](#)
[13681974](#) [13737722-B](#) [13830674](#) [13832576](#) [13849772](#) [13542772](#)