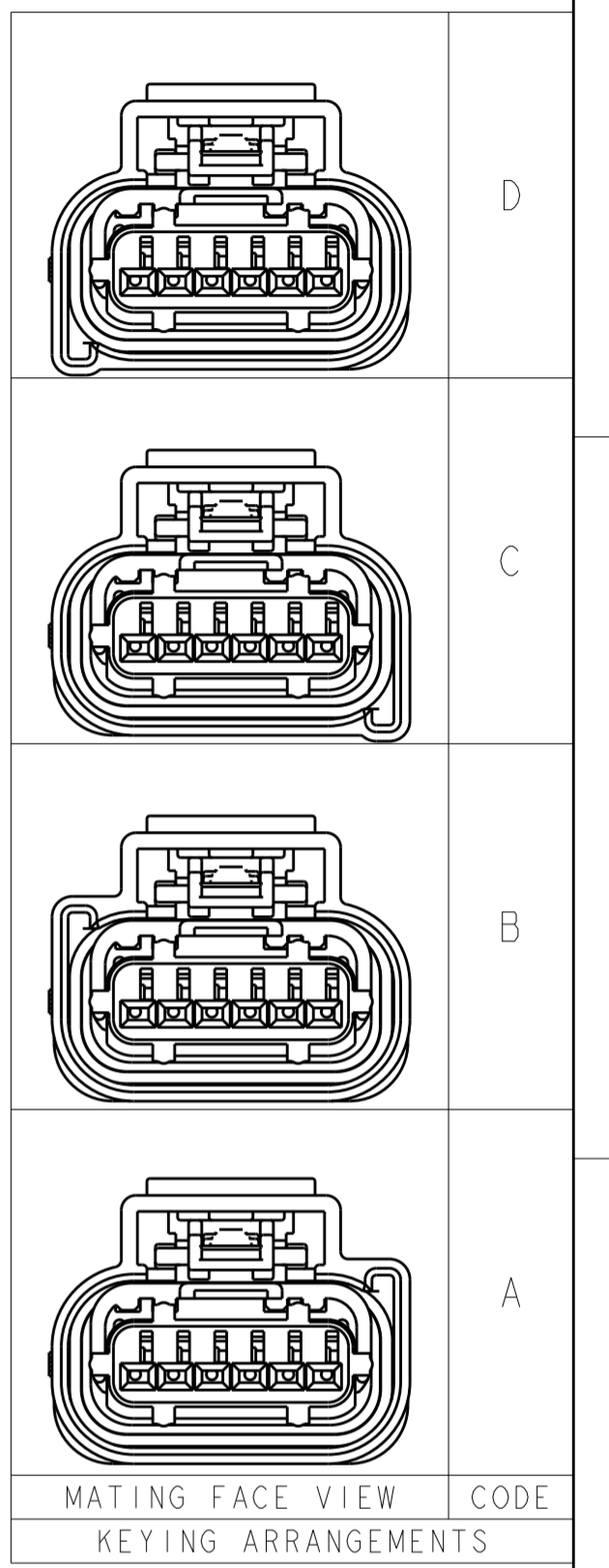
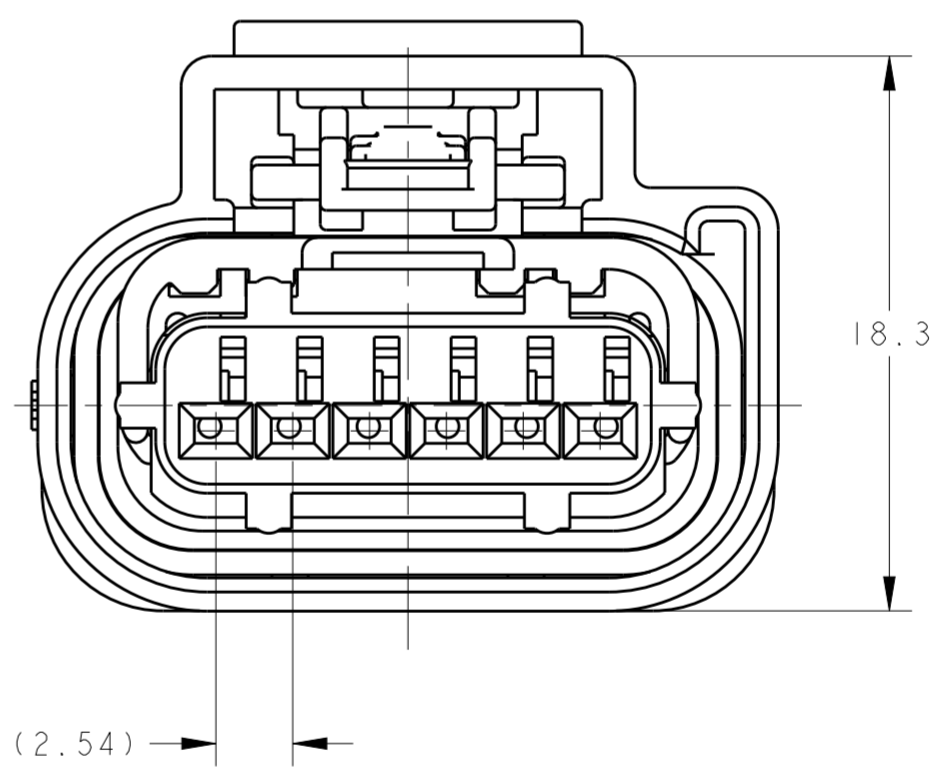
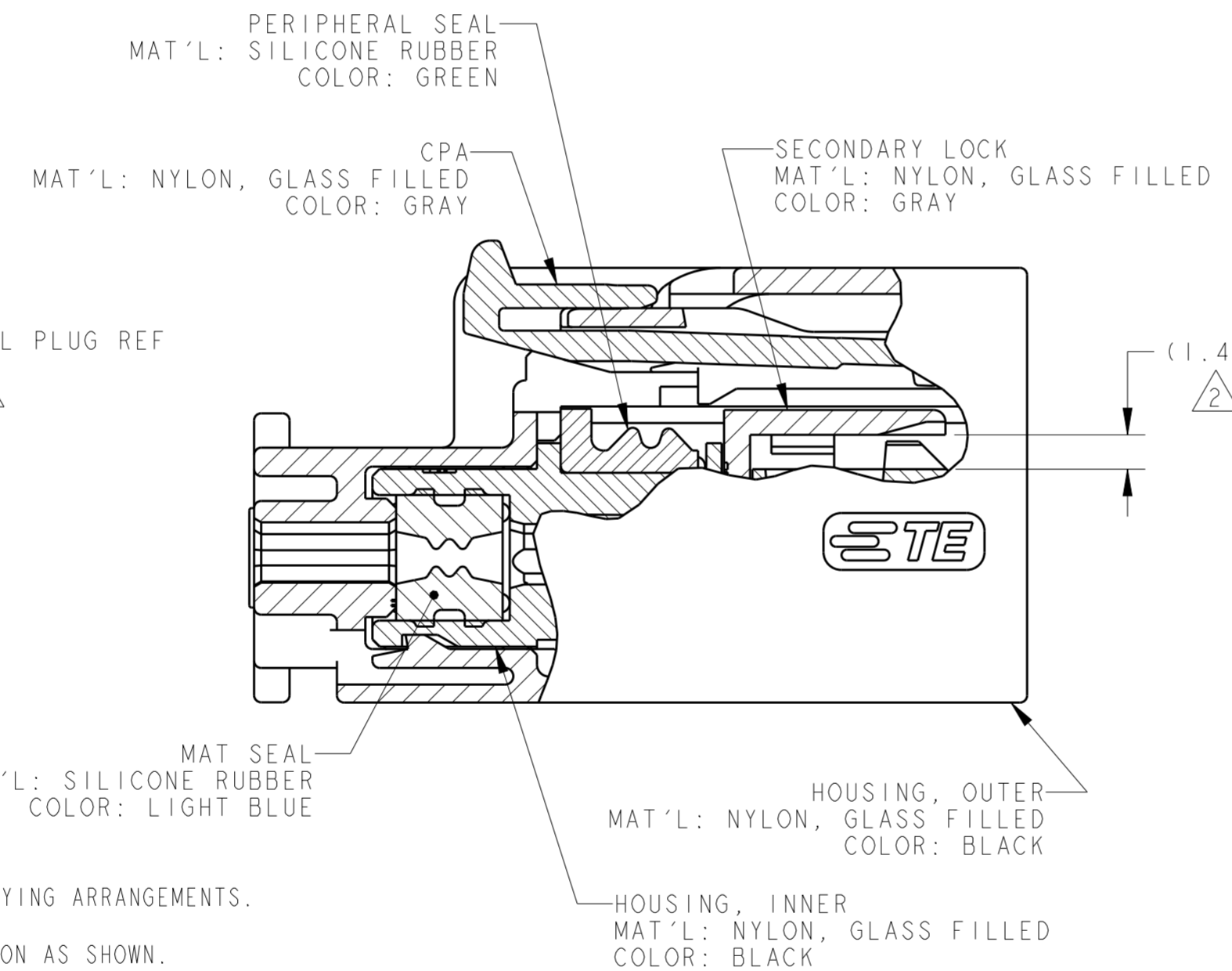
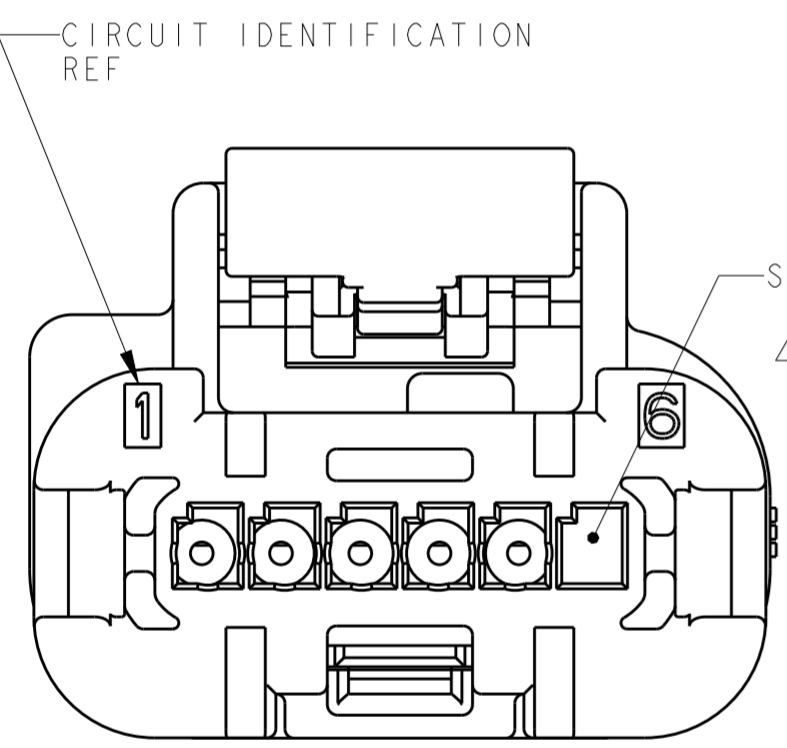
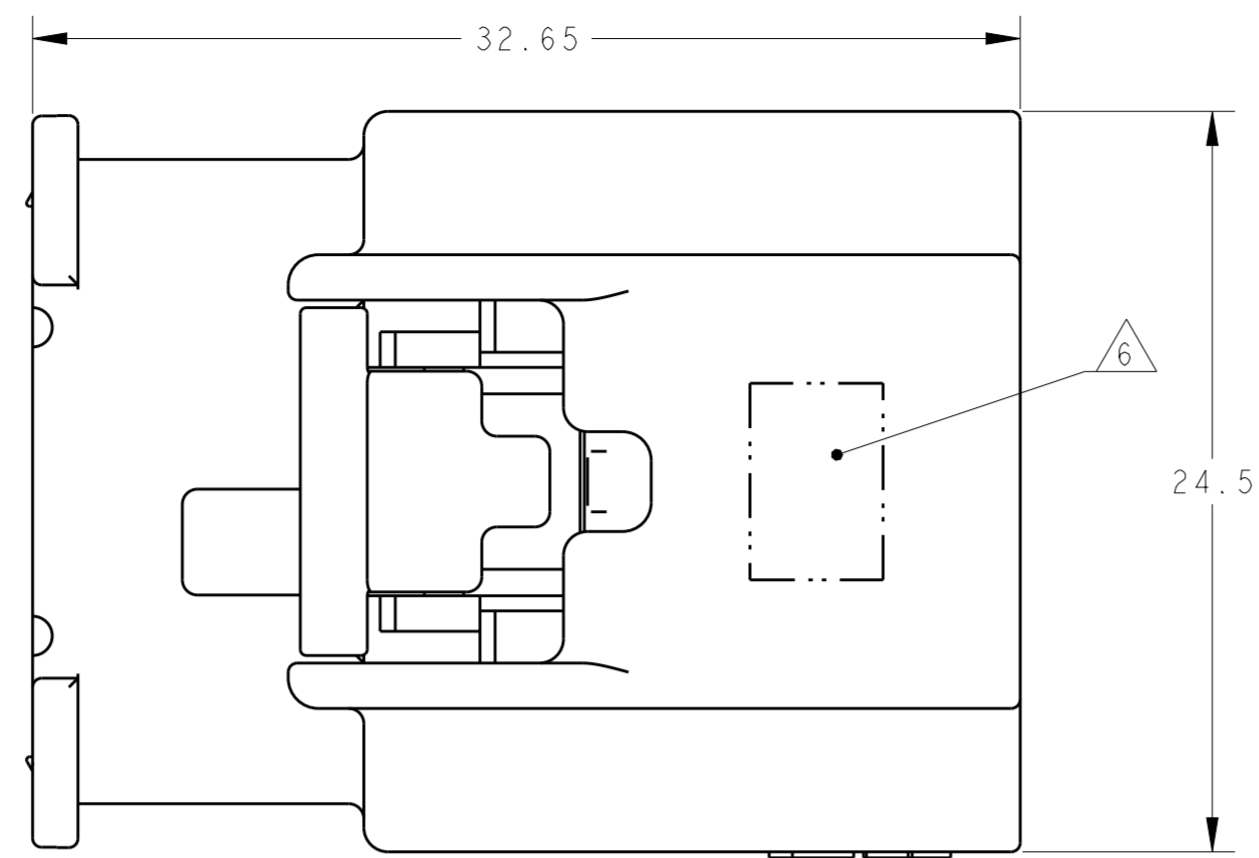


REVISIONS					
P	LTR	DESCRIPTION	DATE	DWN	APVD
A2		REVISED PER ECO-15-016608	09DEC2015	DLD	DCM
A3		REVISED PER ECO-17-015604	01NOV2017	JMS	CM
A4		REVISED PER ECO-18-005591	12APR2018	JMS	SI
A5		REVISED PER ECO-20-004646	14APR2020	JMS	SI

●	●	●	○	○	○	1-2272975-3
●	●	●	●	●	●	1-2272975-2
○	○	●	○	○	○	1-2272975-1
●	●	●	○	○	○	1-2272975-0
○	○	○	○	●	●	2272975-9
●	●	●	○	○	○	2272975-8
○	○	○	○	○	●	2272975-7
○	○	○	○	○	○	2272975-6
○	○	○	○	○	○	2272975-5
○	○	○	○	○	○	2272975-4
○	○	○	○	○	○	2272975-3
○	○	○	○	○	○	2272975-2
○	○	○	○	○	○	2272975-1
1	2	3	4	5	6	
● CIRCUIT NUMBER						
PART NUMBER						

NOT TOOLED
NOT TOOLED

CIRCUIT PIN-OUT
INDICATES CLOSED CIRCUIT
○ INDICATES OPEN CIRCUIT



KEYING CODE	PART NUMBER
A	1-2272975-3
A	1-2272975-2 ⁹
A	1-2272975-1
A	1-2272975-0
A	2272975-9
A	2272975-8
A	2272975-7
A	2272975-6
A	2272975-5
D	2272975-4
C	2272975-3
B	2272975-2
A	2272975-1

NOT TOOLED
NOT TOOLED

- 2272975-1 SHOWN. SEE TABLE FOR ADDITIONAL KEYING ARRANGEMENTS.
- SECONDARY LOCK SHIPPED IN PRE-LATCHED POSITION AS SHOWN.
- PLUG ACCEPTS MCON 1.2mm CLEAN BODY FEMALE CONTACTS FOR WIRE RANGE WITH Ø1.2 - 1.9 INSULATION.
- FOR OPTIONAL WIRE DRESS SEE DRAWING 2272976.
- CLOSED CIRCUIT SHOWN FOR REFERENCE. SEE CIRCUIT PIN-OUT TABLE FOR CIRCUIT AVAILABILITY.
- PART NUMBER AND DATE CODE MARKED IN APPROXIMATE AREA SHOWN.
- MATING INTERFACE SHOWN ON USCAR DRAWING, 120-S-006-1-Z03.
- REFERENCE TE INSTRUCTION SHEET 408-32106.
- SHIPPING CAP. ALL CIRCUITS CLOSED ON OUTER HOUSING. ASSEMBLY DOES NOT INCLUDE SECONDARY LOCK OR CPA

THIS DRAWING IS A CONTROLLED DOCUMENT.

DIMENSIONS: mm	TOLERANCES UNLESS OTHERWISE SPECIFIED: 0 PLC ± 1 PLC ±0.2 2 PLC ±0.20 3 PLC ± 4 PLC ± ANGLES ± FINISH	DWN D. DRUMMOND 22SEP2014 CHK S. MANKARYOS 22SEP2014 APVD S. MANKARYOS 22SEP2014	NAME PLUG ASSEMBLY, 6 POSITION, 1.2mm MCON
MATERIAL SEE CALLOUT		PRODUCT SPEC APPLICATION SPEC WEIGHT	SIZE A200779
		CUSTOMER DRAWING	DRAWING NO C-2272975
		SCALE 4:1	SHEET 1 OF 1
			REV A5

TE Connectivity

X-ON Electronics

Largest Supplier of Electrical and Electronic Components

Click to view similar products for [Automotive Connectors](#) category:

Click to view products by [TE Connectivity](#) manufacturer:

Other Similar products are found below :

[003-018-000](#) [60403001](#) [60993906-B](#) [M902-2131](#) [M902-2161](#) [72.330.1035.1](#) [73.353.4028.0](#) [F119300-B](#) [F166900](#) [F258300-B](#) [F358300-B](#)
[F407400](#) [F444110](#) [F487000](#) [F509500B-B](#) [827153-1](#) [8N1515-32-24P](#) [9-1326729-8](#) [925474-1](#) [928905-1](#) [964562-4](#) [968782-1](#) [GT17SA-8DS-](#)
[HU](#) [98891-1012](#) [98947-1016](#) [12004147](#) [12004475-L](#) [12010290](#) [12010309-B](#) [12015454](#) [12020219-B](#) [12020308](#) [12041318-B](#) [12052225-L](#)
[12052466](#) [12059125](#) [12064869](#) [12004327-B](#) [12010503-B](#) [12015308](#) [12015384](#) [12015909](#) [1-21030-1](#) [12041254](#) [12041318](#) [12047946-B](#)
[12047957](#) [12047957-L](#) [12059473](#) [12066261](#)