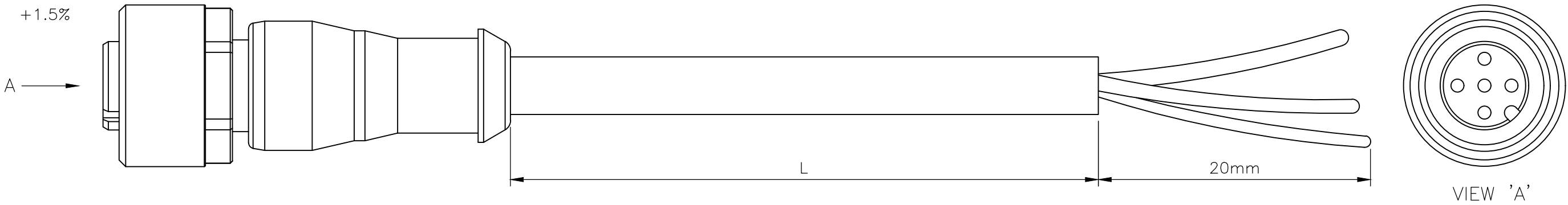


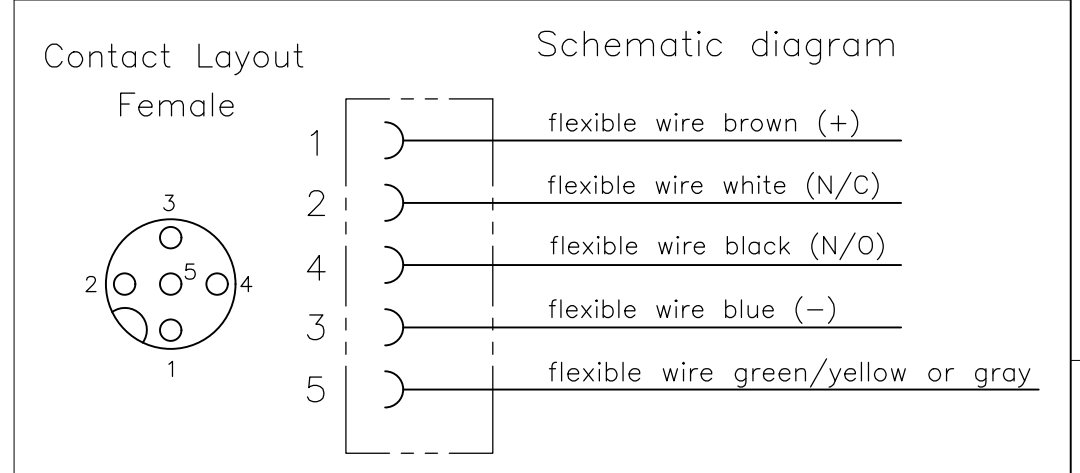
© - TE Connectivity. All Rights Reserved.

NOTES:  
 Tolerances cable lengths:  
 0m to 0.5m +30mm  
 0.5m to 1.0m +50mm  
 1.0m to 3.0m +100mm  
 < 3.0m +1.5%

| REVISIONS |     |                           |           |     |      |
|-----------|-----|---------------------------|-----------|-----|------|
| P         | LTR | DESCRIPTION               | DATE      | DWN | APVD |
|           | A1  | ECR-14-011671             | 16AUG2014 | GSK | BvH  |
|           | A2  | ECR-15-008219             | 01JUN2015 | GSK | BvH  |
|           | A3  | REVISED PER ECR-20-010730 | 14AUG2020 | AP  | BP   |



| TECHNICAL DATA                |   |
|-------------------------------|---|
| Operating voltage             | max. 125 V AC/DC  |
| Operating current per contact | max. 4 A  |
| Locking of ports              | Screw thread M12 x 1 mm (recommended torque 0.6 Nm) self-securing |
| Protection                    | IP65 and IP67 when plugged and screwed down (EN 60529)            |



| PUR CABLE                  |                           |
|----------------------------|---------------------------|
| No./diameter of wires      | 5 x 0.34 mm <sup>2</sup>  |
| Wire isolation             | PP (br, wh, bl, bk, gnye) |
| C-track properties         | yes                       |
| Jacket                     | PUR (UL/CSA)              |
| Outer diameter             | approx. 5.0 mm            |
| Bend radius (moving)       | 10 x outer diameter       |
| Temperature range (fixed)  | -50...+80 °C              |
| Temperature range (mobile) | -25...+80 °C              |

| LENGTH "L" | MATERIAL | JACKET COLOR | TE PN       | DESCRIPTION       | ITEM |
|------------|----------|--------------|-------------|-------------------|------|
| 30000mm    | PVC      | Black        | 1-2273035-6 | 5x22AWG PVC 30.0m | 10   |
| 20000mm    |          |              | 1-2273035-5 | 5x22AWG PVC 20.0m | 9    |
| 10000mm    |          |              | 1-2273035-4 | 5x22AWG PVC 10.0m | 8    |
| 5000mm     |          |              | 1-2273035-3 | 5x22AWG PVC 5.0m  | 7    |
| 3000mm     |          |              | 1-2273035-2 | 5x22AWG PVC 3.0m  | 6    |
| 1500mm     |          |              | 1-2273035-1 | 5x22AWG PVC 1.5m  | 5    |
| 10000mm    | PUR      | Black        | 2273035-4   | 5x22AWG PUR 10.0m | 4    |
| 5000mm     |          |              | 2273035-3   | 5x22AWG PUR 5.0m  | 3    |
| 3000mm     |          |              | 2273035-2   | 5x22AWG PUR 3.0m  | 2    |
| 1500mm     |          |              | 2273035-1   | 5x22AWG PUR 1.5m  | 1    |

| PVC CABLE                  |                            |
|----------------------------|----------------------------|
| No./diameter of wires      | 5 x 0.34 mm <sup>2</sup>   |
| Wire isolation             | PVC (br, wh, bl, bk, gnye) |
| C-track properties         |                            |
| Jacket                     | PVC (UL/CSA)               |
| Outer diameter             | approx. 5.2 mm             |
| Bend radius (moving)       | 10 x outer diameter        |
| Temperature range (fixed)  | -30...+80 °C               |
| Temperature range (mobile) | -5...+80 °C                |

THIS DRAWING IS A CONTROLLED DOCUMENT.

|                     |   |  |                                       |                     |
|---------------------|---|--|---------------------------------------|---------------------|
| DIMENSIONS:<br>mm   | TOLERANCES UNLESS OTHERWISE SPECIFIED:<br>0 PLC ± -<br>1 PLC ± -<br>2 PLC ± -<br>3 PLC ± -<br>4 PLC ± -<br>ANGLES ± - | DWN YATHISH.C 16NOV2013<br>CHK B.VELDHOVEN 16NOV2013<br>APVD A.VAN ZANDVOORT 16NOV2013 | TE Connectivity                       |                     |
|                     |   | PRODUCT SPEC 108-19483   | NAME M12 X 1.0 STRAIGHT SOCKET PIGT A |                     |
| MATERIAL - FINISH - |   | APPLICATION SPEC 114-32127   | SIZE A3                               | CAGE CODE 00779     |
|                     |   | WEIGHT 0.000000  | DRAWING NO C-2273035                  | RESTRICTED TO -     |
| CUSTOMER DRAWING    |   |  | SCALE NTS                             | SHEET 1 OF 1 REV A3 |

## X-ON Electronics

Largest Supplier of Electrical and Electronic Components

*Click to view similar products for [Sensor Cables / Actuator Cables](#) category:*

*Click to view products by [TE Connectivity](#) manufacturer:*

Other Similar products are found below :

[60963](#) [60964](#) [703000D02F2002](#) [703000D02F300](#) [703001D02F0602](#) [703001D02F300](#) [704000D02F120](#) [773032K02F030](#) [802027107404-1](#)  
[802027213811-1](#) [804001A09M150](#) [805001A09M0502](#) [84914-0235](#) [84914-0237](#) [885030A09M020](#) [1200651332](#) [1200651713](#) [1200660844](#)  
[1200660845](#) [1200661173](#) [1200680071](#) [1200720053](#) [1200720081](#) [1200720099](#) [1200720217](#) [1200800231](#) [1200860125](#) [1200870123](#)  
[1200980102](#) [1200650267](#) [1200650298](#) [1200660183](#) [1200660782](#) [1200660849](#) [1200661295](#) [1200661297](#) [1200661342](#) [1200661343](#)  
[1200670080](#) [1200670220](#) [1200680331](#) [1200720252](#) [1200730184](#) [1200860344](#) [1200870359](#) [1200870643](#) [1200980008](#) [1200980031](#)  
[1210502211](#) [1210400542](#)