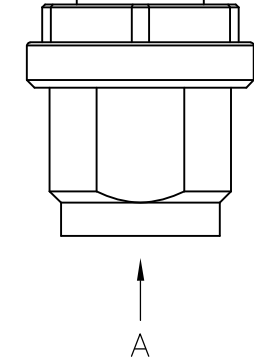
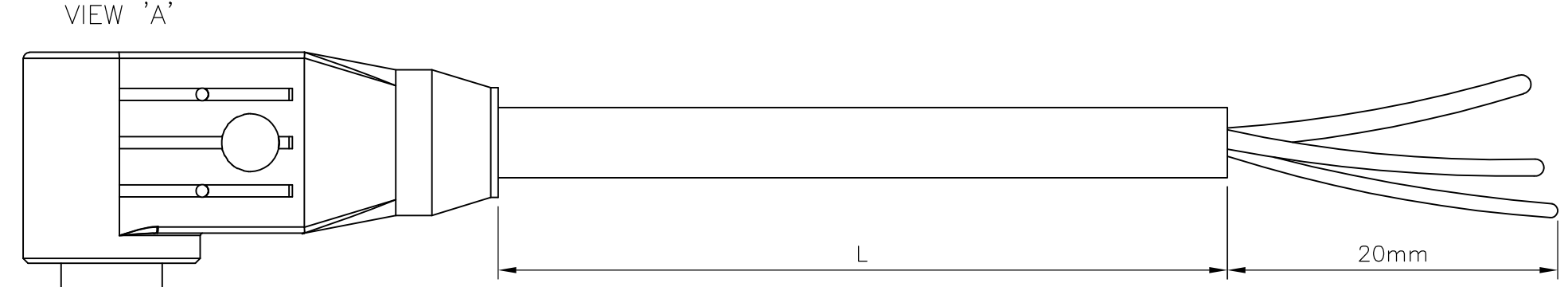
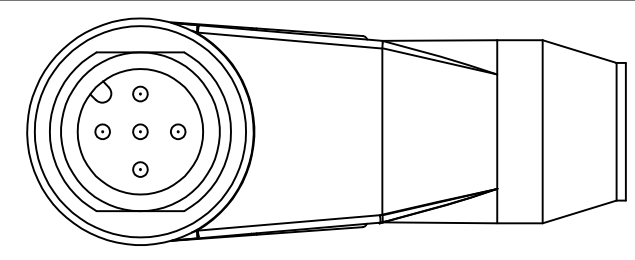


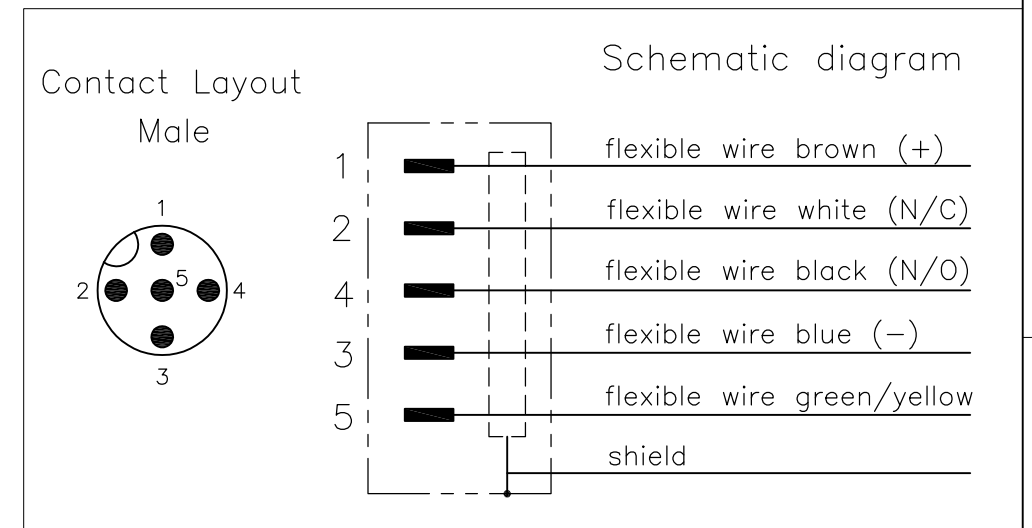
THIS DRAWING IS UNPUBLISHED. RELEASED FOR PUBLICATION
 © COPYRIGHT - By - ALL RIGHTS RESERVED.

| LOC | DIST | REVISIONS | | | | |
|-----|------|-------------|-----------------|-----------|------|-----|
| P | LTR | DESCRIPTION | DATE | DWN | APVD | |
| H | - | A | INITIAL RELEASE | 27NOV2013 | GSK | BvH |
| | | A1 | ECR-14-011671 | 20AUG2014 | GSK | BvH |

NOTES:
 Tolerances cable lengths:
 0m to 0.5m +30mm
 0.5m to 1.0m +50mm
 1.0m to 3.0m +100mm
 < 3.0m +1.5%



| PVC CABLE | |
|----------------------------|----------------------------|
| No./diameter of wires | 5 x 0.34 mm ² |
| Wire isolation | PVC (br, wh, bl, bk, gnye) |
| C-track properties | |
| Jacket | PVC (UL/CSA) |
| Outer diameter | approx. 5.9 mm |
| Bend radius (moving) | 15 x outer diameter |
| Temperature range (fixed) | -30...+80 °C |
| Temperature range (mobile) | -5...+70 °C |



| TECHNICAL DATA | |
|-------------------------------|---|
| Operating voltage | max. 60 V AC/DC |
| Operating current per contact | max. 4 A |
| Locking of ports | Screw thread M12 x 1 mm (recommended torque 0.6 Nm) self-securing |
| Protection | IP65 and IP67 when plugged and screwed down (EN 60529) |

| LENGTH "L" | MATERIAL | JACKET COLOR | TE PN | DESCRIPTION | ITEM |
|------------|----------|--------------|-------------|-------------------|------|
| 5 pos | PVC | Grey | 1-2273100-4 | 5x22AWG PVC 10.0m | 8 |
| | | | 1-2273100-3 | 5x22AWG PVC 5.0m | 7 |
| | | | 1-2273100-2 | 5x22AWG PVC 3.0m | 6 |
| 5 pos | PUR | Grey | 1-2273100-1 | 5x22AWG PVC 1.5m | 5 |
| | | | 2273100-4 | 5x22AWG PUR 10.0m | 4 |
| | | | 2273100-3 | 5x22AWG PUR 5.0m | 3 |
| | | | 2273100-2 | 5x22AWG PUR 3.0m | 2 |
| | | | 2273100-1 | 5x22AWG PUR 1.5m | 1 |

| PUR CABLE | |
|----------------------------|----------------------------|
| No./diameter of wires | 5 x 0.34 mm ² |
| Wire isolation | PVC (br, wh, bl, bk, gnye) |
| C-track properties | |
| Jacket | PUR/PVC (UL/CSA) |
| Outer diameter | approx. 5.9 mm |
| Bend radius (moving) | 15 x outer diameter |
| Temperature range (fixed) | -40...+80 °C |
| Temperature range (mobile) | -5...+70 °C |

THIS DRAWING IS A CONTROLLED DOCUMENT.

| | | | |
|------------------|---|--------------------------------|--|
| DIMENSIONS: mm | TOLERANCES UNLESS OTHERWISE SPECIFIED: | DWN SATHISH KUMAR .G 27NOV2013 | TE Connectivity |
| | 0 PLC ± - 1 PLC ± - 2 PLC ± - 3 PLC ± - 4 PLC ± - ANGLES ± - | CHK B.VELDHOVEN 27NOV2013 | |
| MATERIAL - | FINISH - | APVD A.VAN ZANDVOORT 27NOV2013 | NAME M12 X 1.0 ANGLED PLUG PIGT SHLD A |
| | | PRODUCT SPEC 108-19483 | SIZE A3 |
| | | APPLICATION SPEC 114-32127 | CAGE CODE 00779 |
| | | WEIGHT - | DRAWING NO C-2273100 |
| CUSTOMER DRAWING | | | RESTRICTED TO - |
| SCALE NTS | | | SHEET 1 OF 1 |
| | | | REV A1 |

X-ON Electronics

Largest Supplier of Electrical and Electronic Components

Click to view similar products for [Sensor Cables / Actuator Cables](#) category:

Click to view products by [TE Connectivity](#) manufacturer:

Other Similar products are found below :

[60963](#) [60964](#) [703000D02F2002](#) [703000D02F300](#) [703001D02F0602](#) [703001D02F300](#) [704000D02F120](#) [773032K02F030](#) [802027107404-1](#)
[802027213811-1](#) [804001A09M150](#) [805001A09M0502](#) [84914-0235](#) [84914-0237](#) [885030A09M020](#) [1200651332](#) [1200651713](#) [1200660844](#)
[1200660845](#) [1200661173](#) [1200680071](#) [1200720053](#) [1200720081](#) [1200720099](#) [1200720217](#) [1200800231](#) [1200860125](#) [1200870123](#)
[1200980102](#) [1200650267](#) [1200650298](#) [1200660183](#) [1200660782](#) [1200660849](#) [1200661295](#) [1200661297](#) [1200661342](#) [1200661343](#)
[1200670080](#) [1200670220](#) [1200680331](#) [1200720252](#) [1200730184](#) [1200860344](#) [1200870359](#) [1200870643](#) [1200980008](#) [1200980031](#)
[1210502211](#) [1210400542](#)