

4

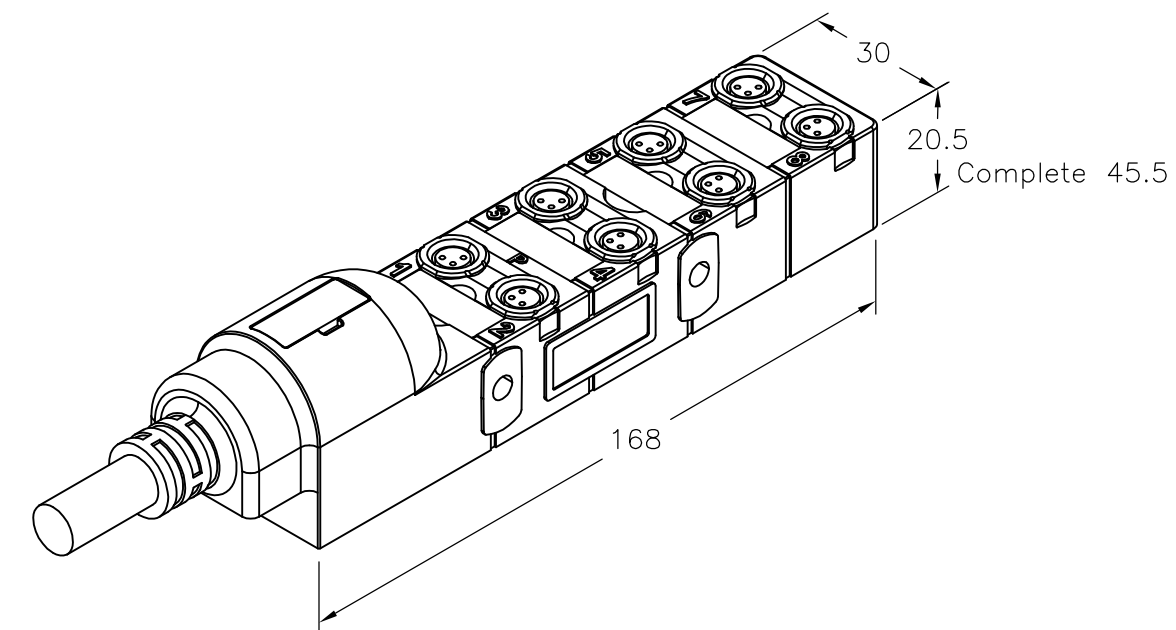
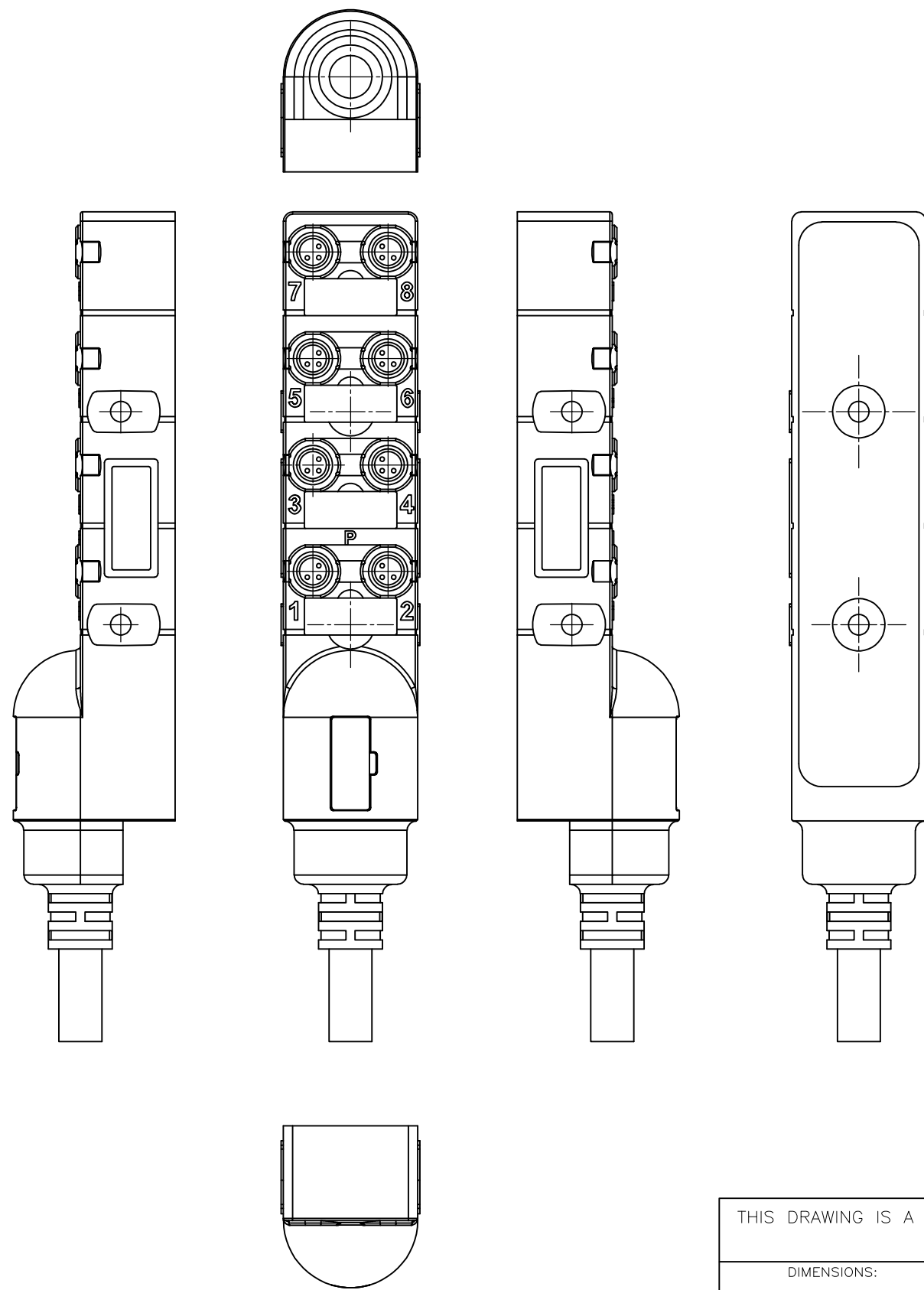
3

2

1

THIS DRAWING IS UNPUBLISHED. RELEASED FOR PUBLICATION
 © COPYRIGHT - By - ALL RIGHTS RESERVED.

LOC	DIST	REVISIONS			
P	LTR	DESCRIPTION	DATE	DWN	APVD
	A	INITIAL RELEASE	14JAN2014	GSK	BvH



PUR cable 15m	1-2273142-4
PUR cable 10m	1-2273142-3
PUR cable 5m	1-2273142-2
PUR cable 3m	1-2273142-1
PUR/PVC cable 10m	2273142-3
PUR/PVC cable 5m	2273142-2
PUR/PVC cable 3m	2273142-1
DESCRIPTION	TE PN

THIS DRAWING IS A CONTROLLED DOCUMENT.		DWN 14JAN2014 SATHISH KUMAR.G	STE TE Connectivity	
DIMENSIONS: mm		CHK 14JAN2014 B.VELDHOVEN		
TOLERANCES UNLESS OTHERWISE SPECIFIED:		APVD 14JAN2014 A.VAN ZANDVOORT	NAME DISTR BOX M8 3POS 8WAY PNP	
0 PLC ± -		PRODUCT SPEC	-	
1 PLC ± -		APPLICATION SPEC	-	
2 PLC ± -		WEIGHT	-	
3 PLC ± -		SIZE	CAGE CODE	DRAWING NO
4 PLC ± -		A3 00779		C-2273142
ANGLES ± -		CUSTOMER DRAWING		RESTRICTED TO
FINISH		SCALE		SHEET
-		NTS		1 OF 2
				REV A

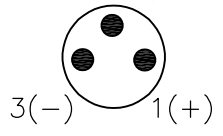
THIS DRAWING IS UNPUBLISHED. RELEASED FOR PUBLICATION
 © COPYRIGHT - By - ALL RIGHTS RESERVED.

LOC	DIST	REVISIONS					
		P	LTR	DESCRIPTION	DATE	DWN	APVD
H	-	-	-	SEE SHEET 1	-	-	-

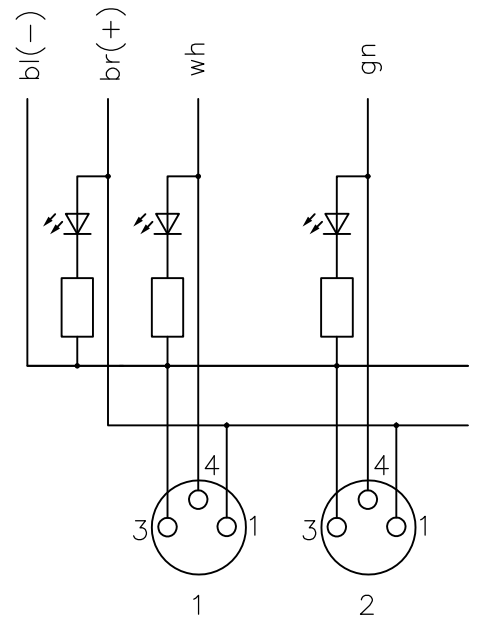
Contact Layout

M8-Females 3-pole

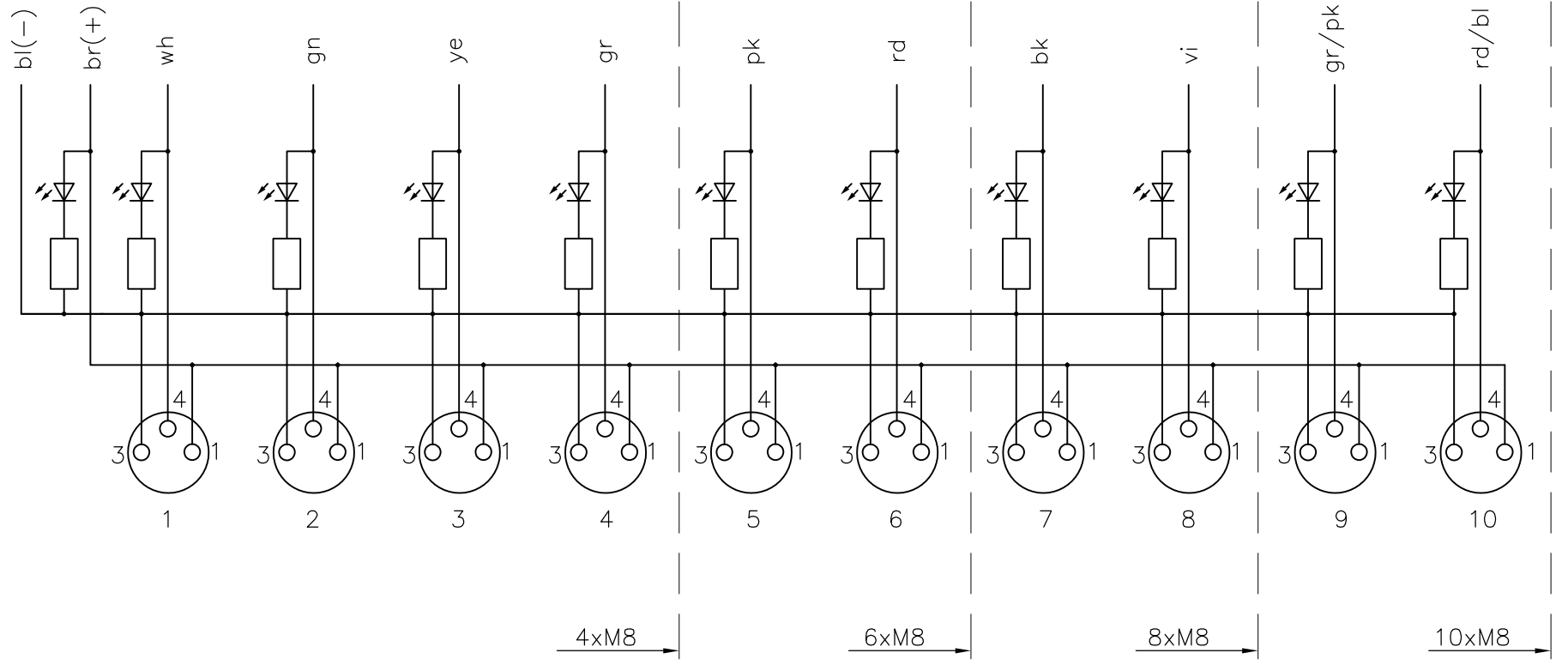
4(N/O)



Circuit diagram



for 1 Signal per port



THIS DRAWING IS A CONTROLLED DOCUMENT.		DWN 14JAN2014 SATHISH KUMAR.G	TE Connectivity	
DIMENSIONS: mm		CHK 14JAN2014 B.VELDHOVEN		
TOLERANCES UNLESS OTHERWISE SPECIFIED:		APVD 14JAN2014 A.VAN ZANDVOORT	NAME DISTR BOX M8 3POS 8WAY PNP	
		PRODUCT SPEC	-	
MATERIAL		APPLICATION SPEC	-	
FINISH		WEIGHT	SIZE A3	CAGE CODE 00779
			DRAWING NO C-2273142	RESTRICTED TO
		CUSTOMER DRAWING		SCALE NTS
		SHEET 2 OF 2		REV A

X-ON Electronics

Largest Supplier of Electrical and Electronic Components

Click to view similar products for [Circular Metric Connectors](#) category:

Click to view products by [TE Connectivity](#) manufacturer:

Other Similar products are found below :

[600X518037X](#) [6STD15PCR99B70A](#) [8R4000A16M020](#) [8R5000A16M005](#) [1200910002](#) [1203580030](#) [1200910008](#) [1200910011](#) [1300140094](#)
[130203-0054](#) [1300140026](#) [1300150099](#) [RF-12S1N8A90DU](#) [1-3637-600-5205](#) [1612618](#) [21036836414](#) [8R4006A16M010](#) [8R5006A18A120](#)
[1604232](#) [1R3006A20M005](#) [RF-12P1N8A80DU](#) [RF-12P1N8A90DU](#) [41-40011](#) [42-01015](#) [4-22279-4](#) [4-22281-1](#) [4-22284-9](#) [43-01088](#) [43-](#)
[01203](#) [41-40013](#) [42-00008](#) [43-00343](#) [43-01032](#) [43-01162](#) [43-10000](#) [600X518050X](#) [SACC-DSI-FS-5P-PG9-L180 SC](#) [8R5006A16M020](#)
[8R5006A16M005](#) [8R4000A16M010](#) [6-22279-3](#) [1605332](#) [N03FA03144](#) [1300140077](#) [43-01338](#) [XS2RD4265](#) [RSC 4/9](#) [XS2R-D426-1](#)
[XS8A-0441](#) [859RD04-103R004](#)