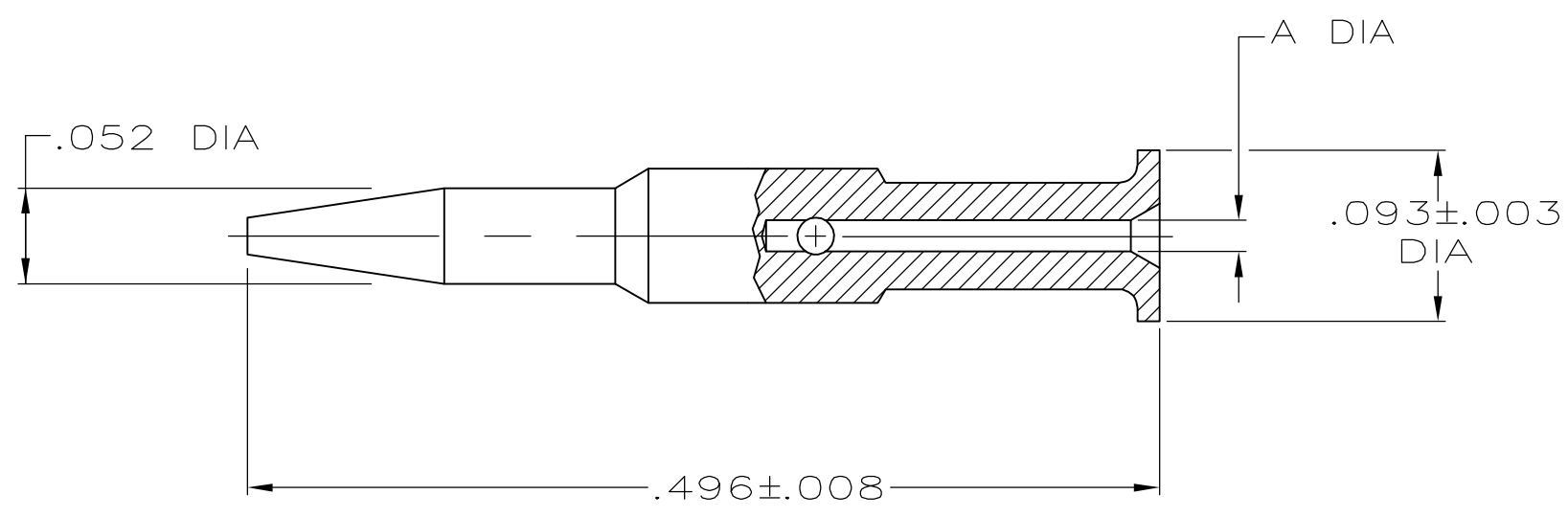


THIS DRAWING IS UNPUBLISHED. RELEASED FOR PUBLICATION
 © COPYRIGHT - BY TYCO ELECTRONICS CORPORATION. ALL RIGHTS RESERVED.

| LOC | DIST | REVISIONS | | | |
|-----|------|-------------|-----------------------------|---------|-------|
| P | LTR | DESCRIPTION | DATE | DWN | APVD |
| AJ | 16 | G | REVISED PER EC OS14-0449-04 | 03JAN05 | BM JL |

- 1 BRASS PER QQ-B-626
- 2 TIN PLATE PER ASTM-B-545
- 3 SILVER PLATE PER QQ-S-365
- 4 PLATED WITH .000030 GOLD ASTM-B488 OVER .000030 NICKEL QQ-N-290



| | | | |
|----------|------|--------|------------|
| | .015 | 2 | 9-227322-1 |
| | .024 | 2 | 9-227322-0 |
| | .018 | 4 | 1-227322-4 |
| | .024 | 4 | 227322-8 |
| OBSOLETE | .024 | 3 | 227322-7 |
| | .024 | 2 | 227322-6 |
| | .015 | 4 | 227322-4 |
| OBSOLETE | .015 | 3 | 227322-3 |
| | .015 | 2 | 227322-2 |
| | A | FINISH | PART # |

| | | | | |
|--|---------------------|----------------------------|---|--------------------|
| THIS DRAWING IS A CONTROLLED DOCUMENT. | | DWN M. SNEED 6-4-90 | Tyco Electronics Corporation Harrisburg, Pa 17105-3608 | |
| DIMENSIONS: INCHES | | CHK D.LAMAN 7-6-90 | | |
| TOLERANCES UNLESS OTHERWISE SPECIFIED: | | APVD D. LAMAN 7-9-90 | NAME CONTACT, SERIES BNC | |
| 0 PLC ± - 1 PLC ± - 2 PLC ± - 3 PLC ± .002 4 PLC ± - ANGLES ± - | | PRODUCT SPEC D.LAMAN | 7-9-90 | |
| MATERIAL 1 | FINISH SEE TABLE | APPLICATION SPEC - | SIZE A3 | CAGE CODE 00779 |
| CUSTOMER DRAWING | | | DRAWING NO G-227322 | RESTRICTED TO - |
| | | | SCALE 10:1 | SHEET 1 OF 1 |
| | | | REV G | |

X-ON Electronics

Largest Supplier of Electrical and Electronic Components

Click to view similar products for [RF Connectors](#) / [Coaxial Connectors](#) category:

Click to view products by [TE Connectivity](#) manufacturer:

Other Similar products are found below :

[R125315120](#) [8915-1511-000](#) [89674-0827](#) [5916-1103-603](#) [0106-001-000](#) [6-0001-3](#) [6001-7071-019](#) [6002-7051-003](#) [6002-7551-202](#) [6059674-1](#) [619550-1](#) [630059-000](#) [M39012/25-0021](#) [M39012/79-3008](#) [M39030/3-01N](#) [M39030/3-03N](#) [M3933/25-36N](#) [6500-7071-046](#) [6501-1071-002](#) [M83723/72W2457N](#) [6769](#) [CX050L2AQ](#) [7002-1541-010](#) [7002-1572-002](#) [7003-1572-002](#) [7004-1512-000](#) [7009-1511-004](#) [7010-1511-000](#) [7029-1511-060](#) [7101-1541-010](#) [7101-1571-002](#) [7105-1521-002](#) [7145-1521-002](#) [7209-1511-011](#) [7210-1511-012](#) [7210-1511-015](#) [7210-1511-019](#) [7210-1511-040](#) [7225-1512-050](#) [7242-1511-000](#) [73137-5015](#) [73251-0111](#) [73251-0672](#) [73276-1501](#) [73366-0013](#) [73404-2300](#) [73413-6080](#) [73415-5721](#) [7405-1521-005](#) [7405-1521-802](#)