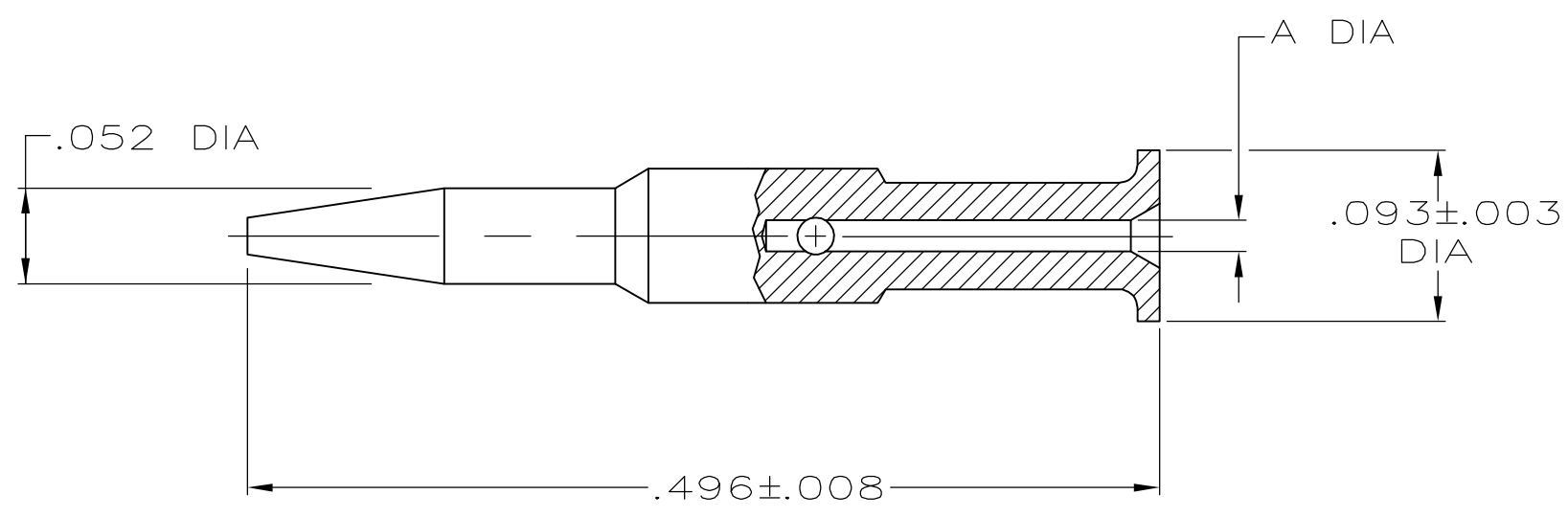


THIS DRAWING IS UNPUBLISHED. RELEASED FOR PUBLICATION
 © COPYRIGHT - BY TYCO ELECTRONICS CORPORATION. ALL RIGHTS RESERVED.

LOC	DIST	REVISIONS			
P	LTR	DESCRIPTION	DATE	DWN	APVD
		G	REVISED PER EC OS14-0449-04	03JAN05	BM JL

- △1 BRASS PER QQ-B-626
- △2 TIN PLATE PER ASTM-B-545
- △3 SILVER PLATE PER QQ-S-365
- △4 PLATED WITH .000030 GOLD ASTM-B488 OVER .000030 NICKEL QQ-N-290



	.015	△2	9-227322-1
	.024	△2	9-227322-0
	.018	△4	1-227322-4
	.024	△4	227322-8
OBSOLETE	.024	△3	227322-7
	.024	△2	227322-6
	.015	△4	227322-4
OBSOLETE	.015	△3	227322-3
	.015	△2	227322-2
	A	FINISH	PART #

THIS DRAWING IS A CONTROLLED DOCUMENT.		DWN M. SNEED 6-4-90	Tyco Electronics Corporation Harrisburg, Pa 17105-3608	
DIMENSIONS: INCHES		CHK D.LAMAN 7-6-90		
TOLERANCES UNLESS OTHERWISE SPECIFIED:		APVD D. LAMAN, PHILLIPS 07-09-90	NAME CONTACT, SERIES BNC	
0 PLC ± - 1 PLC ± - 2 PLC ± - 3 PLC ± .002 4 PLC ± - ANGLES ± -		PRODUCT SPEC D.LAMAN	7-9-90	
MATERIAL △1	FINISH SEE TABLE	APPLICATION SPEC -	SIZE A3	CAGE CODE 00779
		WEIGHT -	DRAWING NO G-227322	RESTRICTED TO -
CUSTOMER DRAWING			SCALE 10:1	SHEET 1 OF 1
			REV G	

X-ON Electronics

Largest Supplier of Electrical and Electronic Components

Click to view similar products for [RF Connectors / Coaxial Connectors](#) category:

Click to view products by [TE Connectivity](#) manufacturer:

Other Similar products are found below :

[8915-1511-000](#) [89674-0827](#) [6001-7071-019](#) [6002-7051-003](#) [6002-7551-202](#) [6059674-1](#) [619550-1](#) [630059-000](#) [M39030/3-01N](#) [6500-7071-046](#) [6769](#) [CX050L2AQ](#) [7002-1541-010](#) [7002-1542-011](#) [7004-1512-000](#) [7009-1511-004](#) [7010-1511-000](#) [7029-1511-060](#) [7101-1541-010](#) [7101-1571-002](#) [7105-1521-002](#) [7145-1521-002](#) [7203-1571-003](#) [7209-1511-011](#) [7210-1511-015](#) [7210-1511-019](#) [73137-5015](#) [73216-2241](#) [73404-2300](#) [7405-1521-005](#) [7405-1521-802](#) [8527](#) [8547](#) [FS11V](#) [877931](#) [9049-9513-000](#) [9074-9513-000](#) [9101-9573-002](#) [910A205F](#) [9130-9573-002](#) [PL11SC-026](#) [PL375-33](#) [PL40-5](#) [PL74C-221](#) [PL75MC-217](#) [PL803-7](#) [1200690078](#) [1-201144-1](#) [R107003010W](#) [R110A172100](#)