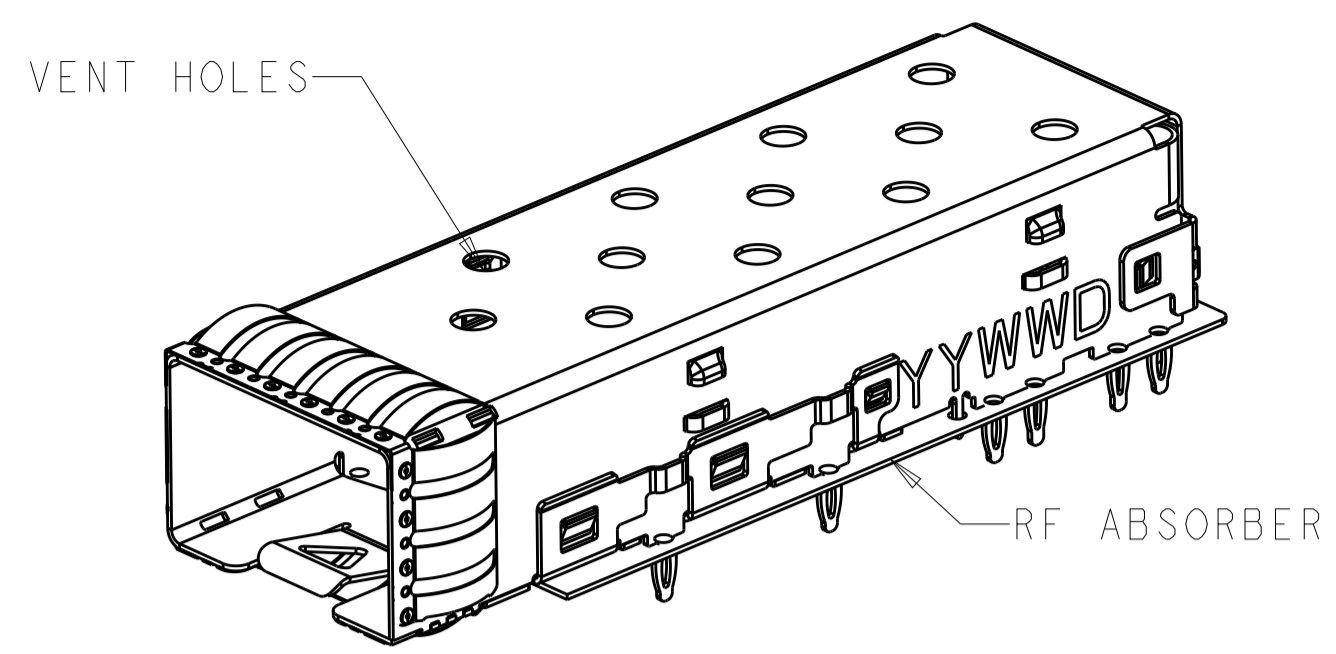
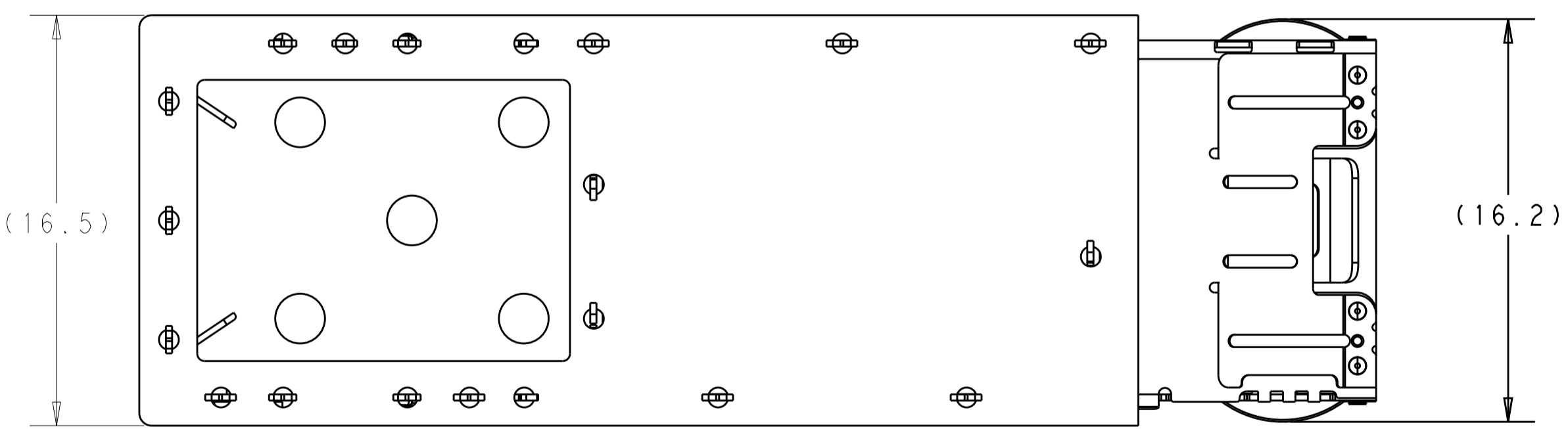
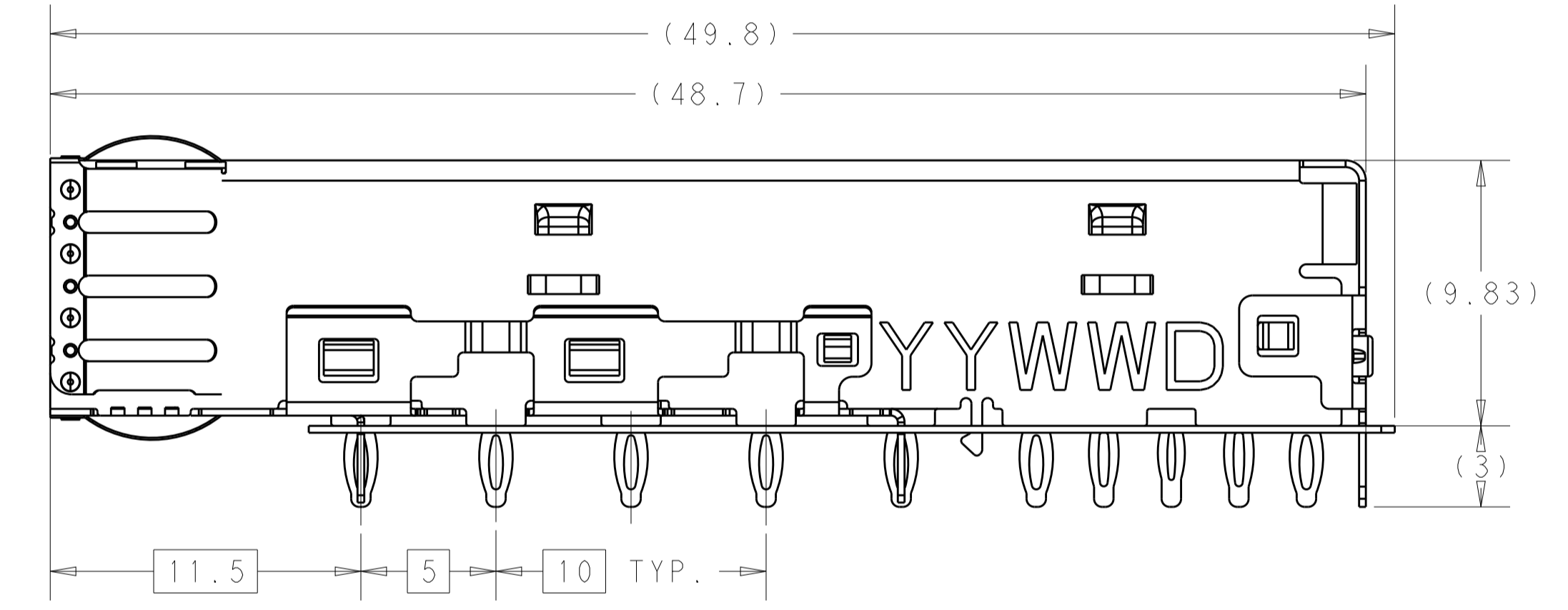
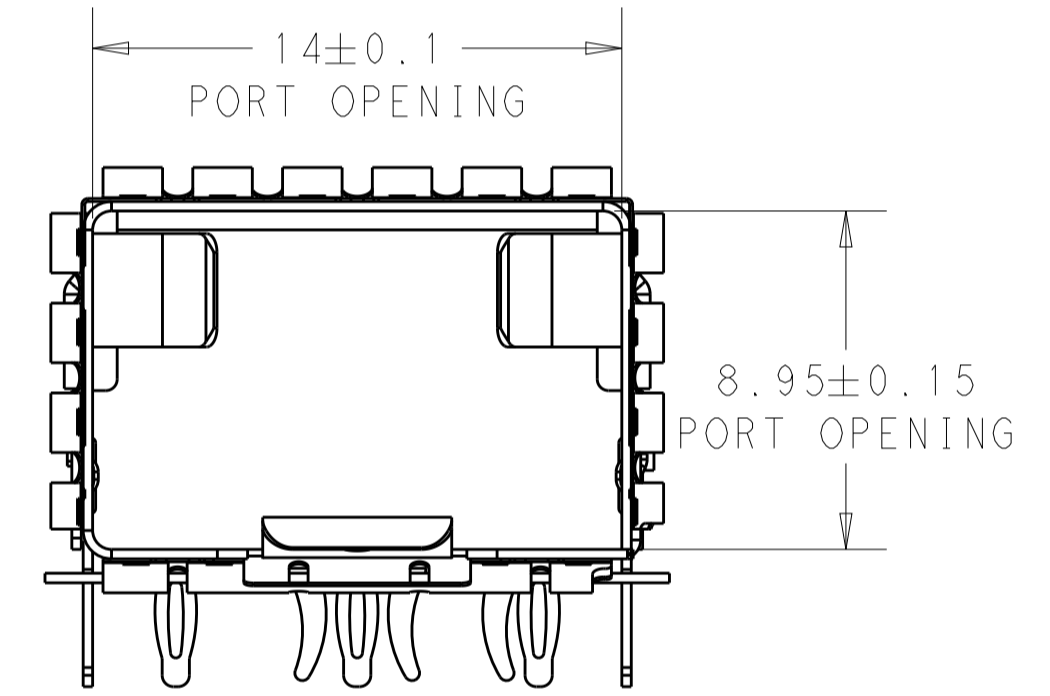
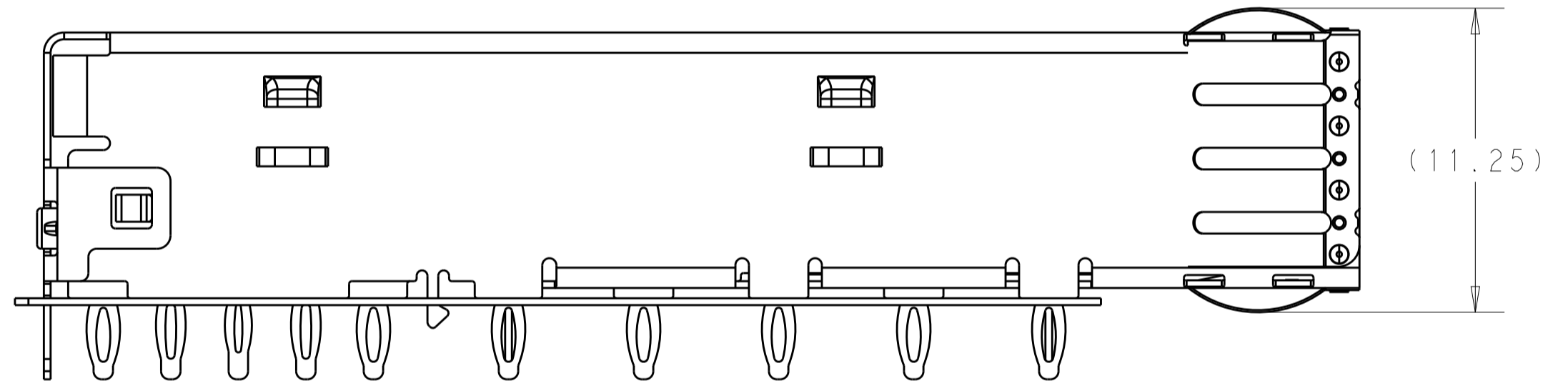
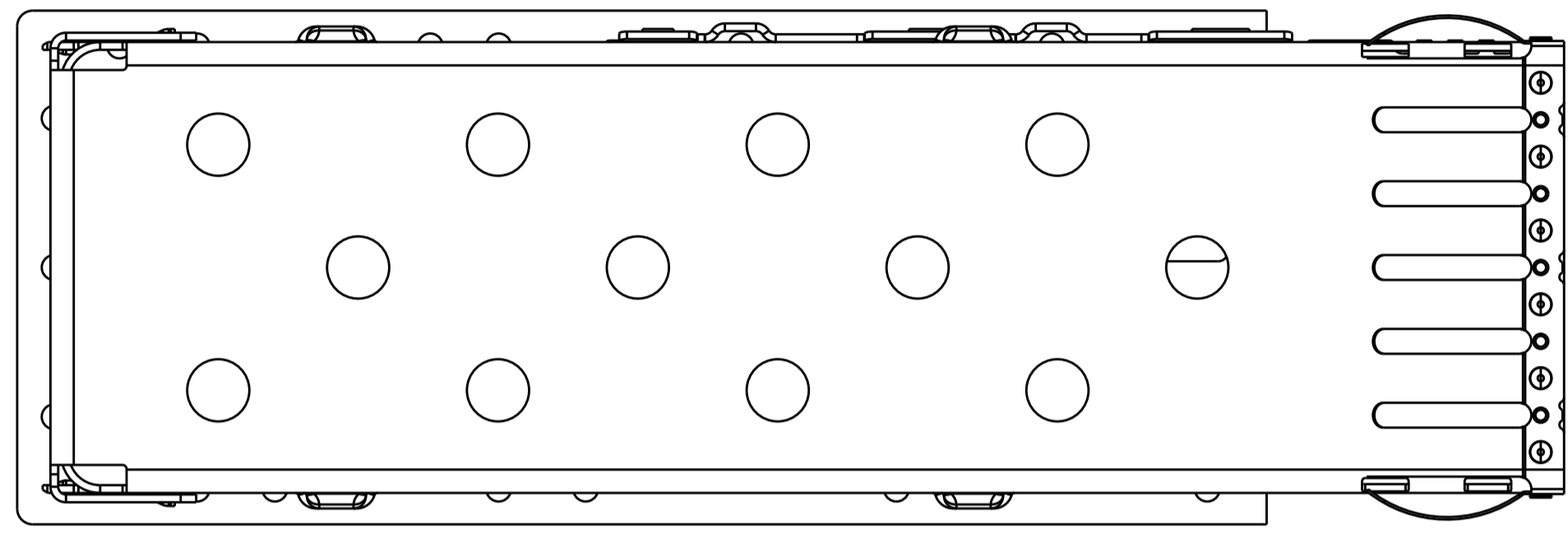


LOC		DIST		REVISIONS			
GP	00	P	LTN	DESCRIPTION	DATE	DWN	APVD
		A		INITIAL RELEASE	28SEP2016	LL	SH
		A1		REVISED PER ECO-18-004185	13MAR2018	JW	SH
		B		REVISED PER ECO-20-004411	22OCT2019	ES	SH



2274001-1
SCALE 3:1

- 1. MATERIAL:
CAGE ASSEMBLY - 0.25mm THICK NICKEL SILVER ALLOY.
EMI SPRINGS - COPPER ALLOY.
PCB GASKET - RF ABSORBER.
- 2. FINISH
EMI SPRINGS - 0.8um MIN NICKEL, NON-PLATED EDGES PERMISSIBLE.
- 3. MATES WITH SFP MSA COMPLIANT TRANSCEIVERS.
- 4. PADS AND VIAS CHASSIS GROUND.
- 5. DATUM AND BASIC DIMENSION ESTABLISHED BY CUSTOMER.
- 6. REFERENCE APPLICATION SPEC. 114-13120, HOLE A, FOR RECOMMENDED DRILL HOLE DIAMETER AND PLATING THICKNESS.
- 7. REFERENCE APPLICATION SPEC. 114-13120, HOLE B, FOR RECOMMENDED DRILL HOLE DIAMETER AND PLATING THICKNESS.
- 8. REFERENCE APPLICATION SPEC. 114-13120, HOLE C, FOR RECOMMENDED DRILL HOLE DIAMETER AND PLATING THICKNESS.
- 9. MINIMUM PC BOARD THICKNESS:
SINGLE SIDED = 1.50mm
- 10. CONTACT STANDOFF WILL PIERCE GASKET WHEN PROPERLY PRESSED INTO PCB.



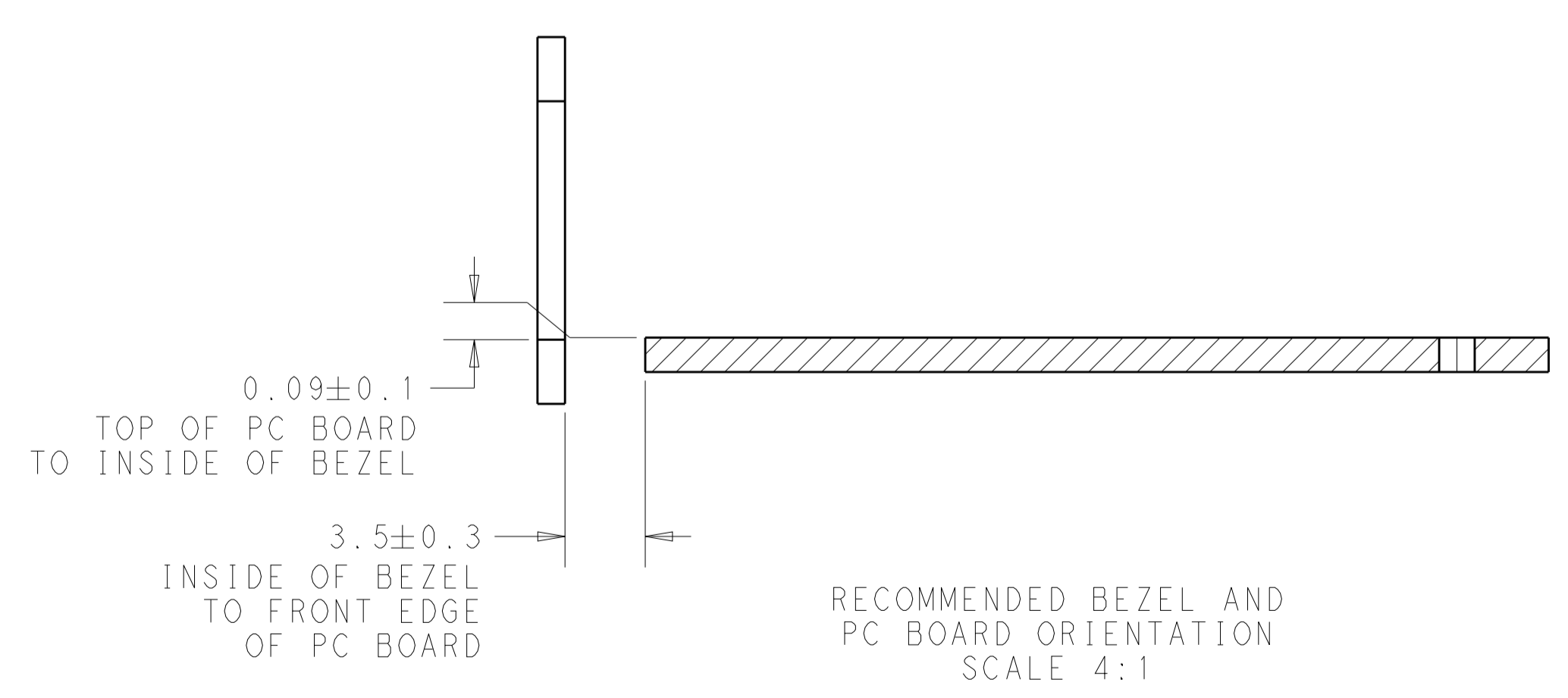
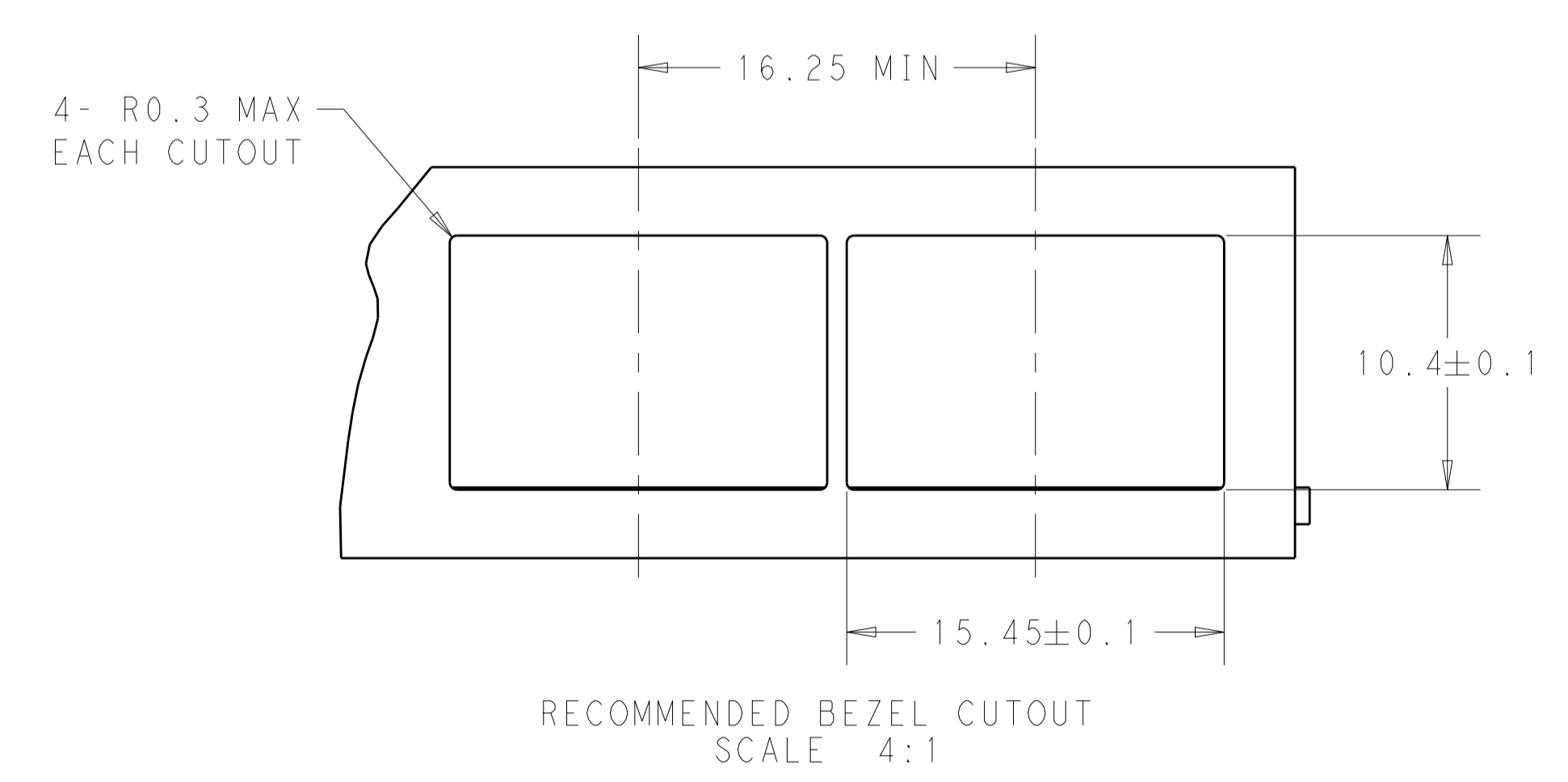
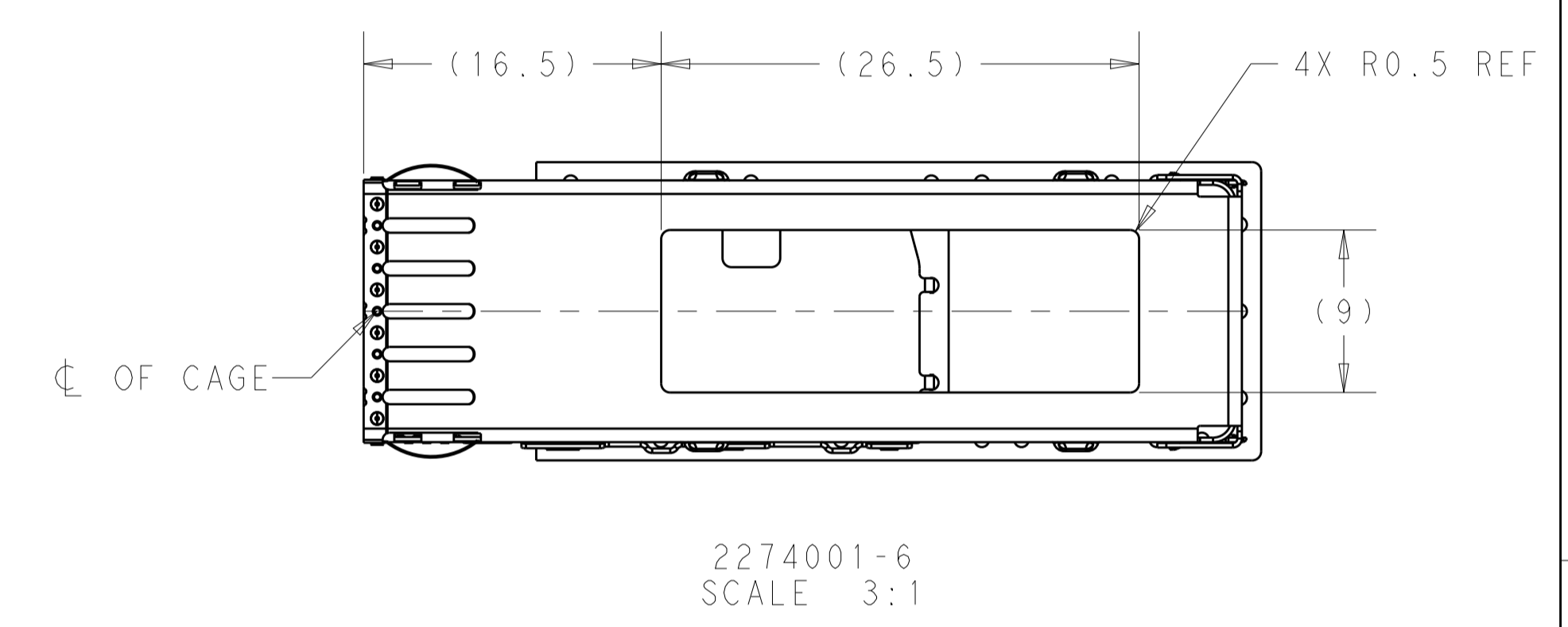
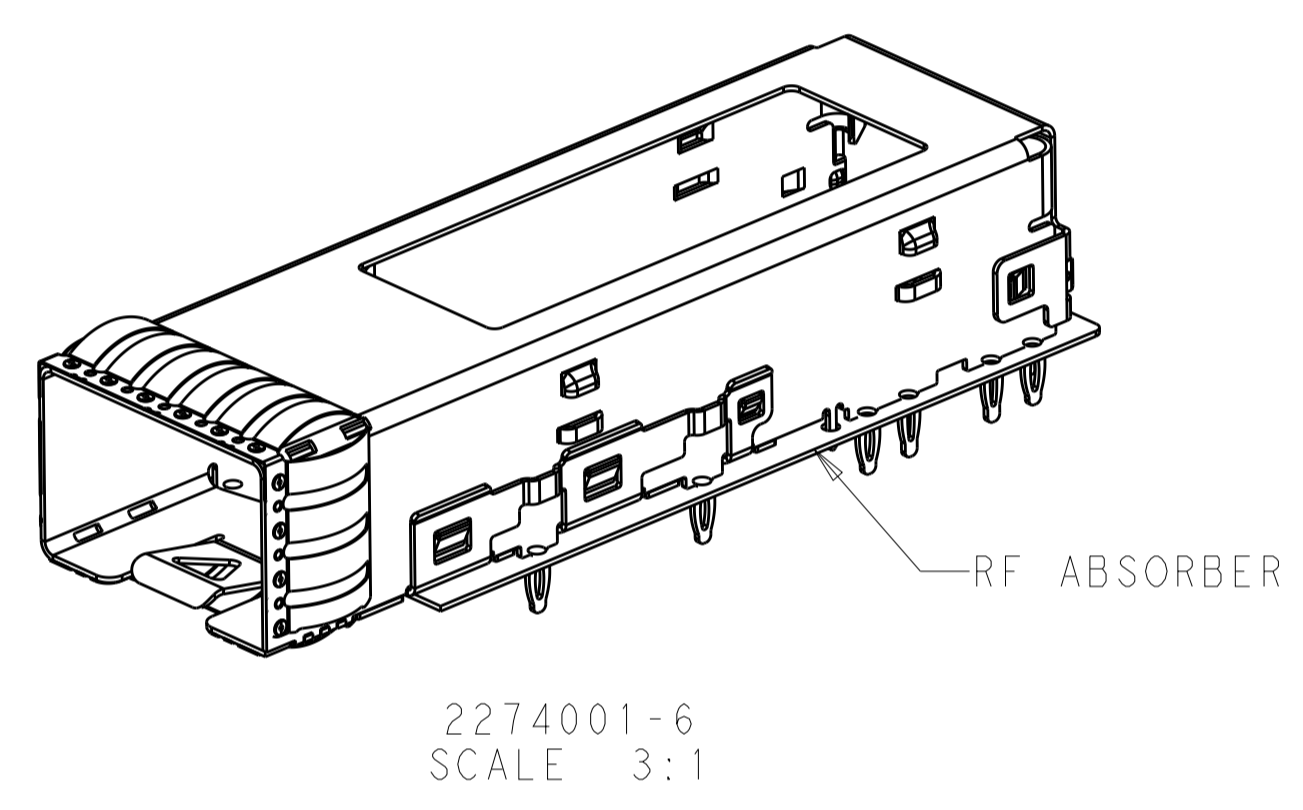
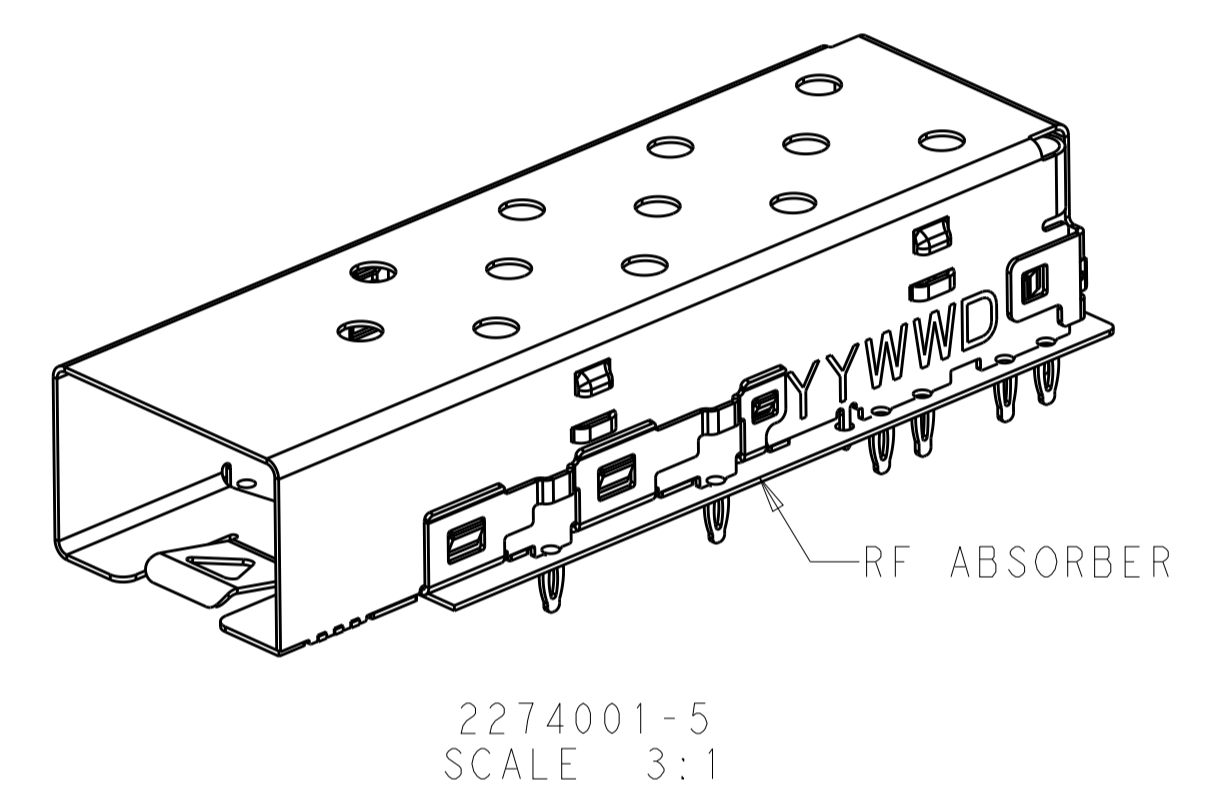
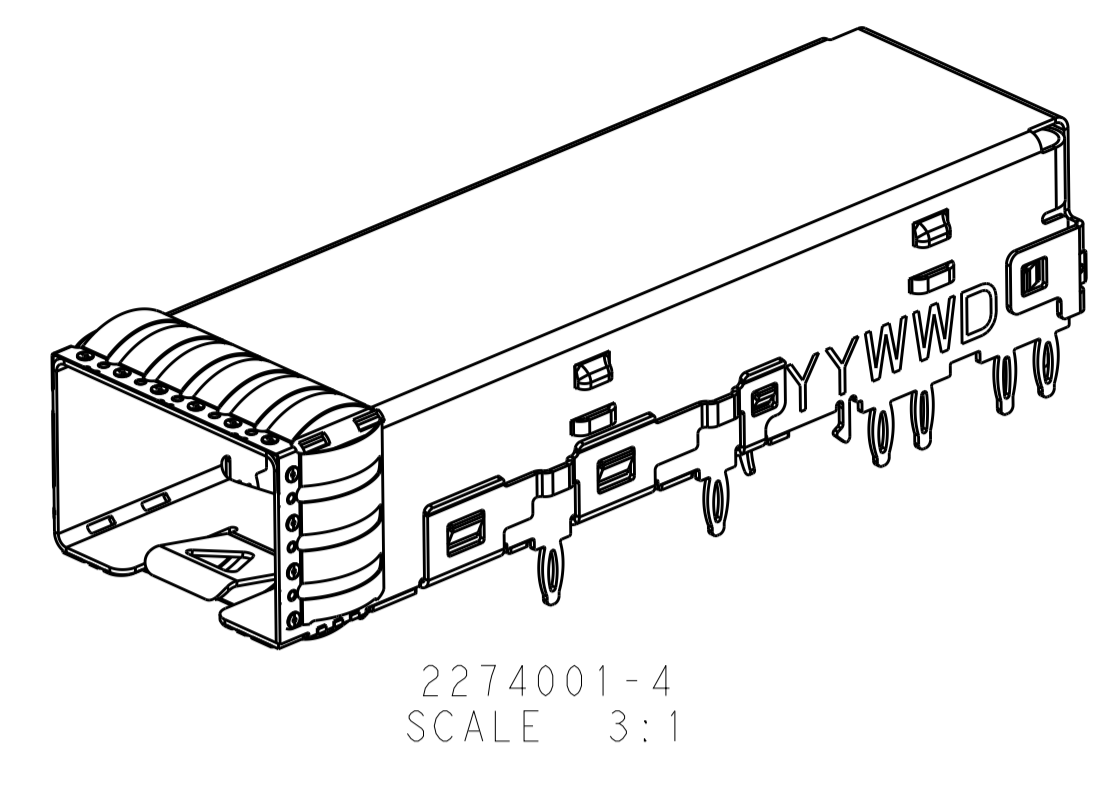
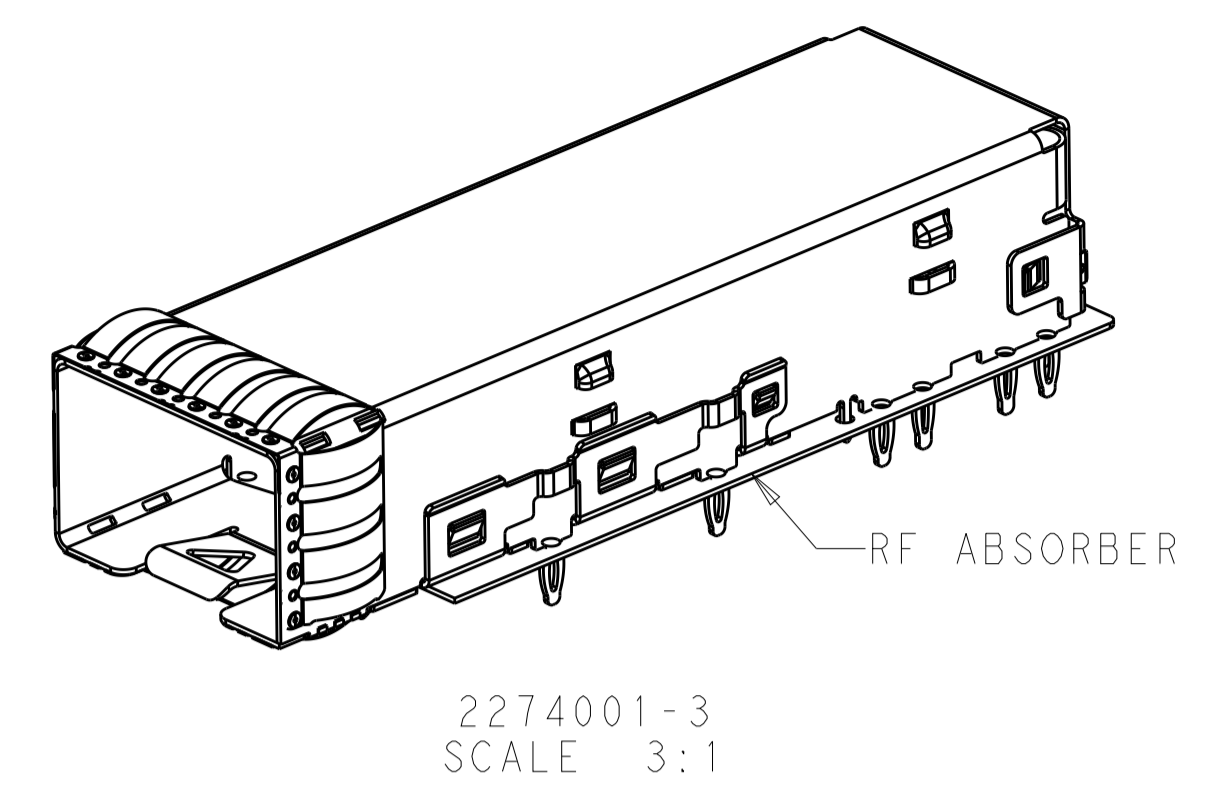
WITH HEAT SINK OPEN	2274001-6
W/O EMI SPRINGS	2274001-5
W/O VENT HOLES AND RF ABSORBER	2274001-4
W/O VENT HOLES	2274001-3
STANDARD TYPE	2274001-1
DESCRIPTION	PART NO

THIS DRAWING IS A CONTROLLED DOCUMENT.

DIMENSIONS:	TOLERANCES UNLESS OTHERWISE SPECIFIED:	OWN: WINDY LIU 08APR2016	CHK: SEAN HAN 08APR2016	APVD: SEAN HAN 08APR2016
mm	0 PLC ±0.1 1 PLC ±0.1 2 PLC ±0.1 3 PLC ±0.05 4 PLC ±0.05 ANGLES ±0.05	PRODUCT SPEC: 108-2364	APPLICATION SPEC: 114-13120	WEIGHT: -
MATERIAL:	FINISH:	SIZE: CAGE CODE DRAWING NO	RESTRICTED TO:	
CUSTOMER DRAWING		A100779C=2274001	SCALE: 5:1	SHEET 1 OF 3

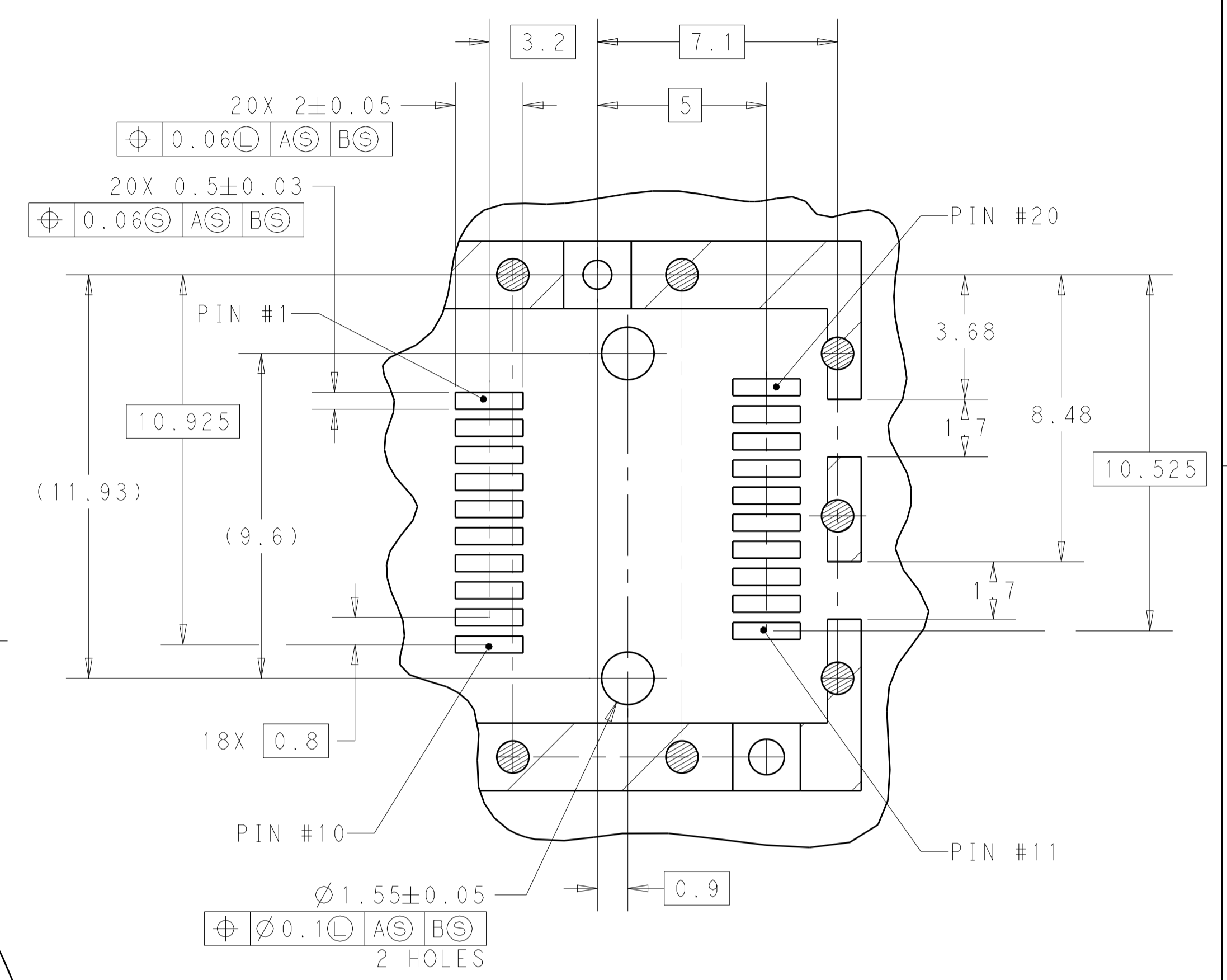
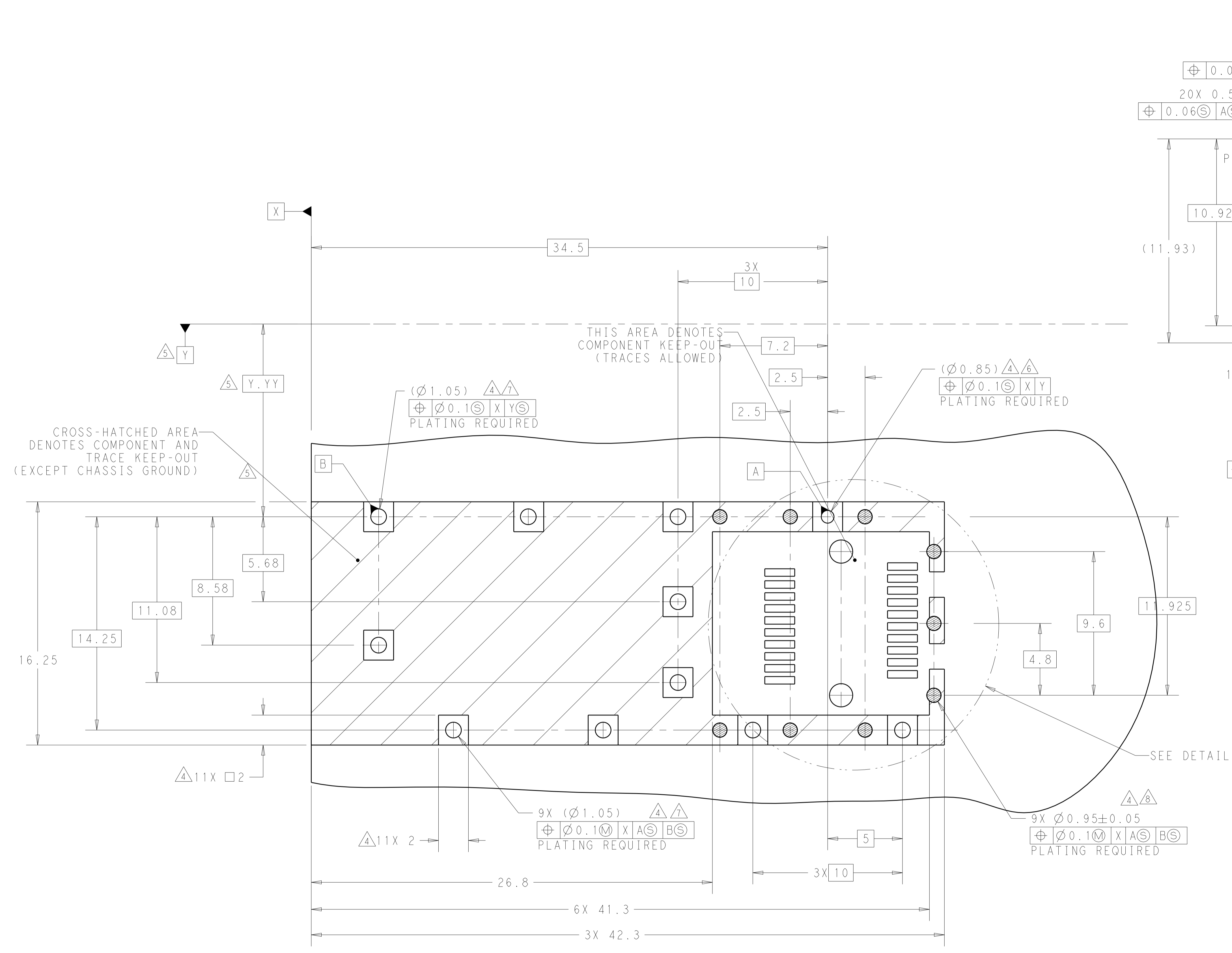
STE TE Connectivity
 NAME: ZSFP+ 1X1 CAGE ASSEMBLY, PRESS-FIT STANDARD, EMI SPRINGS

LOC	DIST	REVISIONS					
GP	00	P	LTN	DESCRIPTION	DATE	DMN	APVD
		-		SEE SHEET 1			



THIS DRAWING IS A CONTROLLED DOCUMENT.		DMN VINDY LIU 08APR2016	TE Connectivity
DIMENSIONS: mm		CHK SEAN HAN 08APR2016	
TOLERANCES UNLESS OTHERWISE SPECIFIED:		APVD SEAN HAN 08APR2016	NAME ZSFP+ 1X1 CAGE ASSEMBLY, PRESS-FIT STANDARD, EMI SPRINGS
0 PLC ±0.1	1 PLC ±0.1	PRODUCT SPEC 108-2364	SIZE CAGE CODE DRAWING NO RESTRICTED TO
2 PLC ±0.1	3 PLC ±0.05	APPLICATION SPEC 114-13120	A100779C=2274001
4 PLC ±0.05	ANGLES ±0.05	WEIGHT	SCALE 5:1 SHEET 2 OF 3 REV B
MATERIAL	FINISH	CUSTOMER DRAWING	

LOC	DIST	REV	DATE	BY	APPD
GP	00				
REVISIONS					
DESCRIPTION					
DATE					
DWN					
APVD					



THIS DRAWING IS A CONTROLLED DOCUMENT.		DWN: VINDY LIU 08APR2016	TE Connectivity	
DIMENSIONS: mm		CHK: SEAN HAN 08APR2016	NAME: zSFP+ 1X1 CAGE ASSEMBLY, PRESS-FIT STANDARD, EMI SPRINGS	
TOLERANCES UNLESS OTHERWISE SPECIFIED:		APVD: SEAN HAN 08APR2016	PRODUCT SPEC: 108-2364	
0 PLC ± 0.1		APPLICATION SPEC: 114-13120		
1 PLC ± 0.1		WEIGHT: -		
2 PLC ± 0.1		SCALE: 5:1		
3 PLC ± 0.05		SHEET: 3 OF 3		
4 PLC ± 0.05		REV: B		
ANGLES ± 0.05		CUSTOMER DRAWING		
FINISH		A100779C=2274001		

X-ON Electronics

Largest Supplier of Electrical and Electronic Components

Click to view similar products for [I/O Connectors](#) category:

Click to view products by [TE Connectivity](#) manufacturer:

Other Similar products are found below :

[571763P](#) [58098-0628](#) [72.250.1628.2](#) [72.250.2428.2](#) [74720-0505](#) [76.350.0729.0](#) [76871-1403](#) [FCN-244F080-G/1](#) [FCN-260A9920](#) [PCR-E36PM](#) [PCS-XE26MA+](#) [G38A71314B](#) [1571250010](#) [157-22500-3](#) [MS3471L14-19P L/C](#) [172501-4002](#) [172501-6002](#) [FCN-260C008-A/L0](#) [FCN-260C024-AL0](#) [FCN-261Z008](#) [2000314-1](#) [200331-1](#) [PCR-E36FC+](#) [PCS-E28FS+](#) [PCS-XE26SLFD+](#) [PCS-XE26SLFDT+](#) [G730VID08BDC24](#) [U90B2054081210](#) [38113800006](#) [DP3AR020WQ1R200](#) [Z4.102.0680.0](#) [500-1040](#) [500-1052](#) [500-1054](#) [ZP-4008-66L](#) [0709821002](#) [DX40-20P\(55\)](#) [5554841-1](#) [MS3474W18-8P-LC*](#) [U90B3054061110](#) [U65-E04-4020](#) [ZPF000000000097891](#) [747360449](#) [10099439-003C-TRLF](#) [10137239-0021LF](#) [E9320-001-01](#) [10137239-0011LF](#) [70289-001LF](#) [70.060.1028.0](#) [109029-ZZ](#)