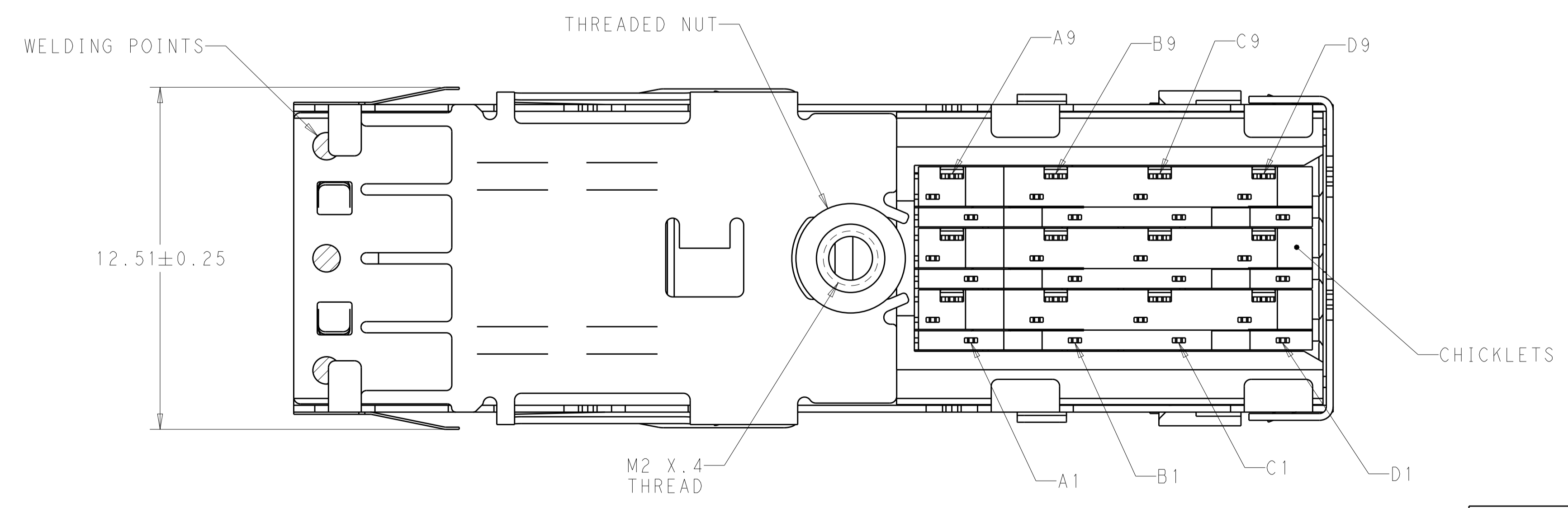
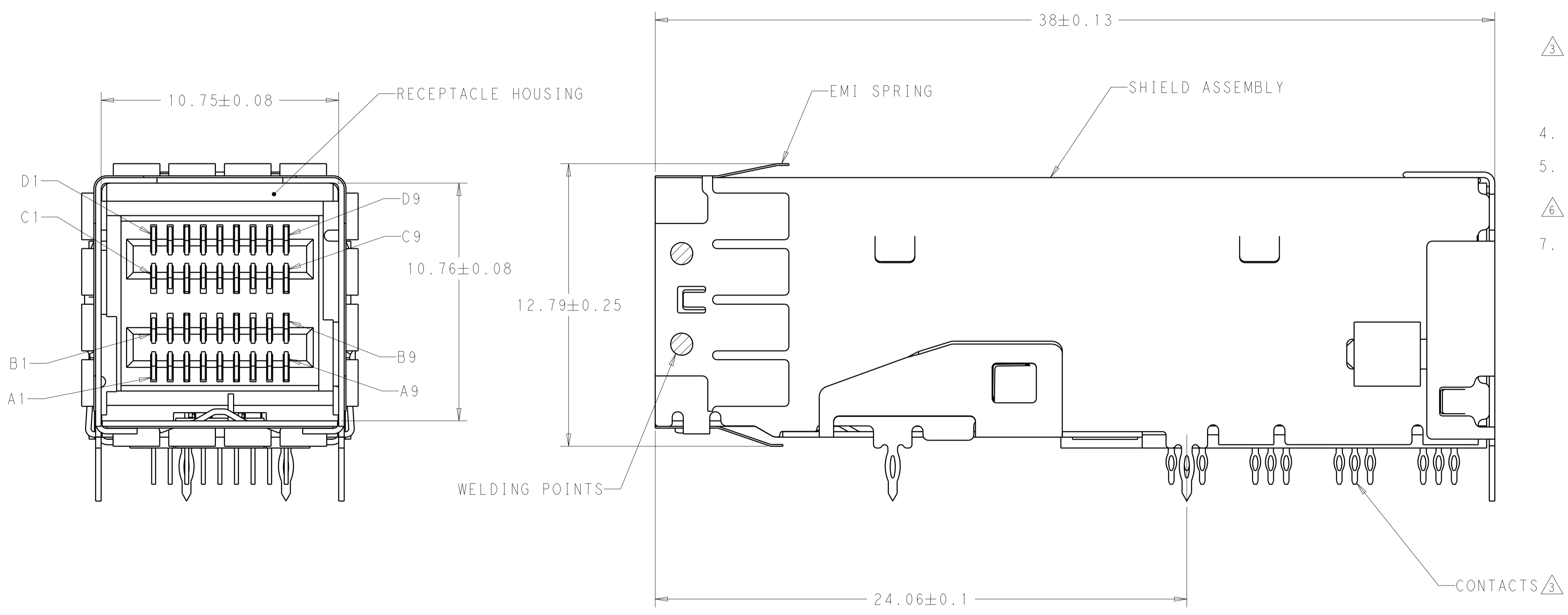


LOC	DIST	REVISIONS			
P	LTN	DESCRIPTION	DATE	DWN	APVD
GP	00				
A		REVISED PER ECO-14-018497	17DEC2014	AP	DG
B		REVISED PER ECO-16-006997	09MAY2016	JY	SH
C		REVISED PER ECO-16-014136	07AUG2016	JY	SH

- MATERIALS  
 RECEPTACLE HOUSING, LCP, BLACK, UL94V-0 RATED  
 SHIELD ASSEMBLY: NICKEL SILVER COPPER ALLOY  
 CONTACTS: COPPER ALLOY  
 EMI SPRING: COPPER ALLOY  
 THREADED NUT: BRASS  
 CHICKLETS: LCP, BLACK, UL 94V-0 RATED
- FINISH  
 EMI SPRING: TIN PLATE OVER NICKEL PLATE  
 OR NICKEL PLATE  
 NON-PLATED EDGES PERMISSABLE  
 THREADED NUT: NICKEL PLATE
- CONTACT FINISH: CONFORMS TO THE REQUIREMENTS OF TE PRODUCT SPECIFICATION, 108-2462. BASED ON EIA/ECA-364-1000.01A. (CONTROLLED ENVIRONMENT APPLICATIONS) ON MATING END. TIN PLATED ON PCB TAIL
- THREAD LENGTH OF FASTENER = PCB THICKNESS + 1.45 MAX
- THIS PRODUCT HAS NOT COMPLETED VALIDATION/QUALIFICATION TESTING
- RECOMMENDED TRACE KEEP OUT ZONE
- WELDING POINTS ARE IN APPROXIMATE LOCATION.



13 PCS	NICKEL	2274215-3
9 PCS	TIN OVER NICKEL	2274215-1
WELDING POINTS	FINISH EMI SPRING	PART NUMBER

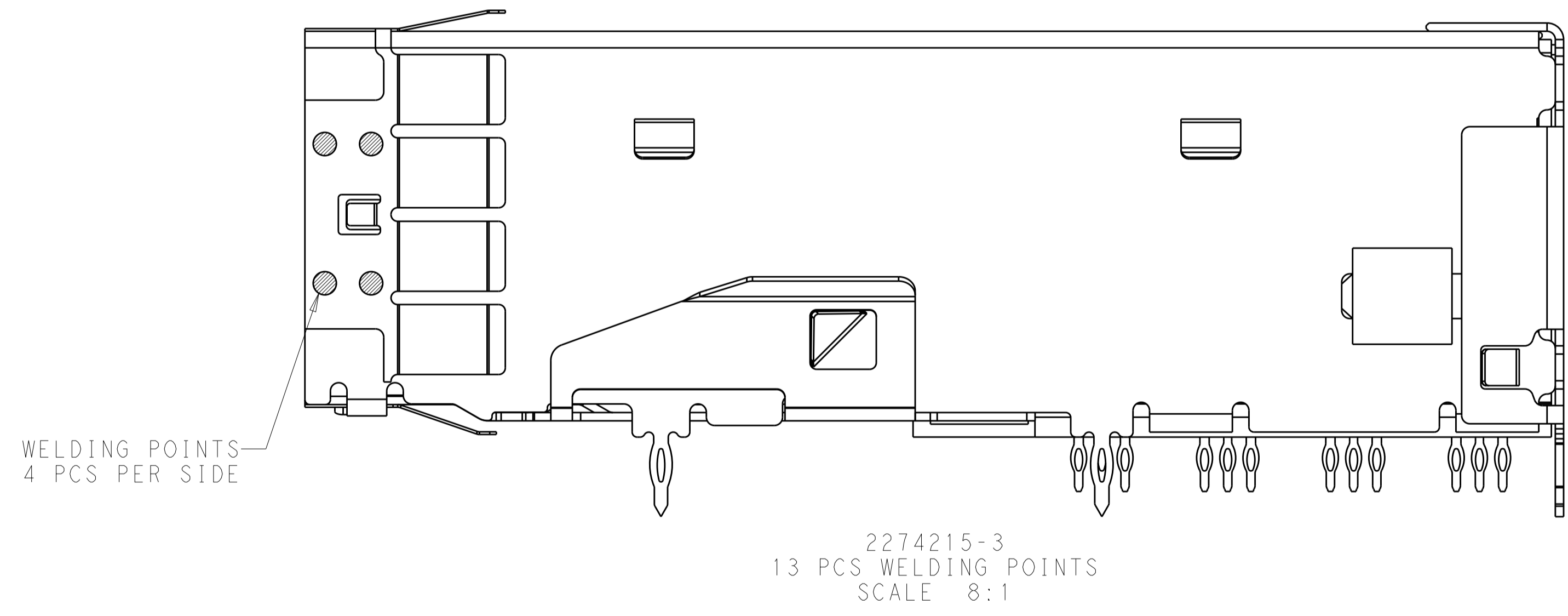
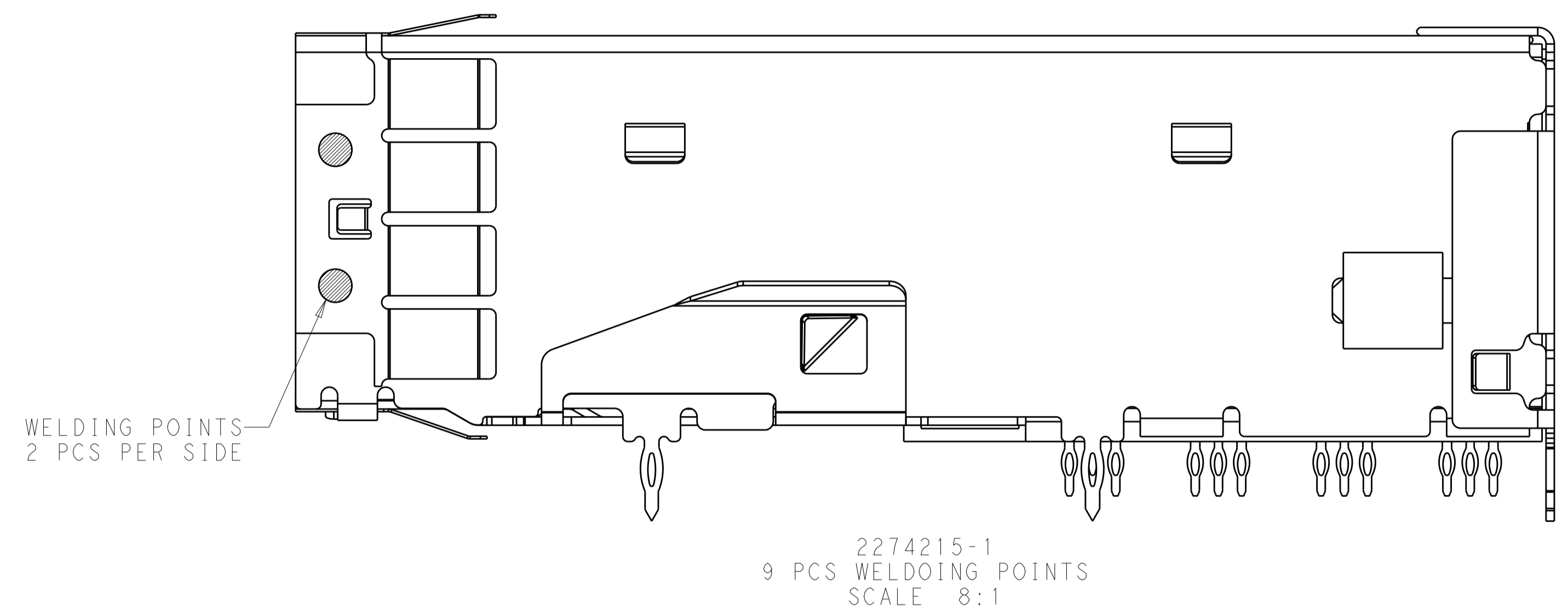
THIS DRAWING IS A CONTROLLED DOCUMENT.

DIMENSIONS:	TOLERANCES UNLESS OTHERWISE SPECIFIED:	DWN C. VALENTINE 21AUG23013	TE Connectivity
mm	0 PLC ±0.13	CHK D. GORENC 21AUG23013	
	1 PLC ±	APVD D. GORENC 21AUG23013	NAME RECEPTACLE ASSEMBLY, MINI-SAS HD
	2 PLC ±	PRODUCT SPEC 108-2462	SIZE CAGE CODE DRAWING NO RESTRICTED TO
	3 PLC ±	APPLICATION SPEC 114-13316	A100779C=2274215
	4 PLC ±	WEIGHT	SCALE 8:1 SHEET 1 OF 3 REV C
	ANGLES FINISH	CUSTOMER DRAWING	

LOC	DIST	REV	DATE	BY	APPV
		1			

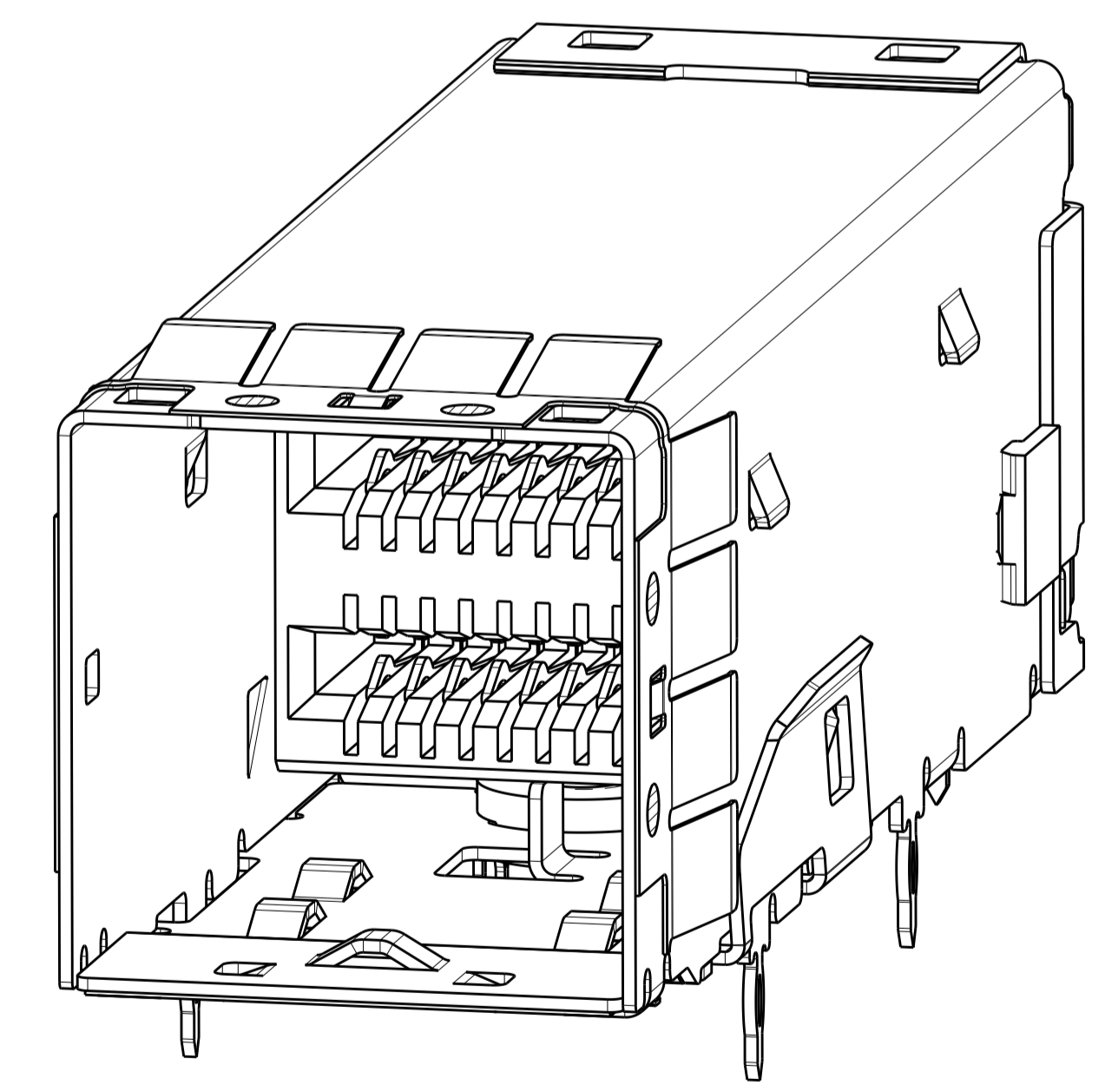
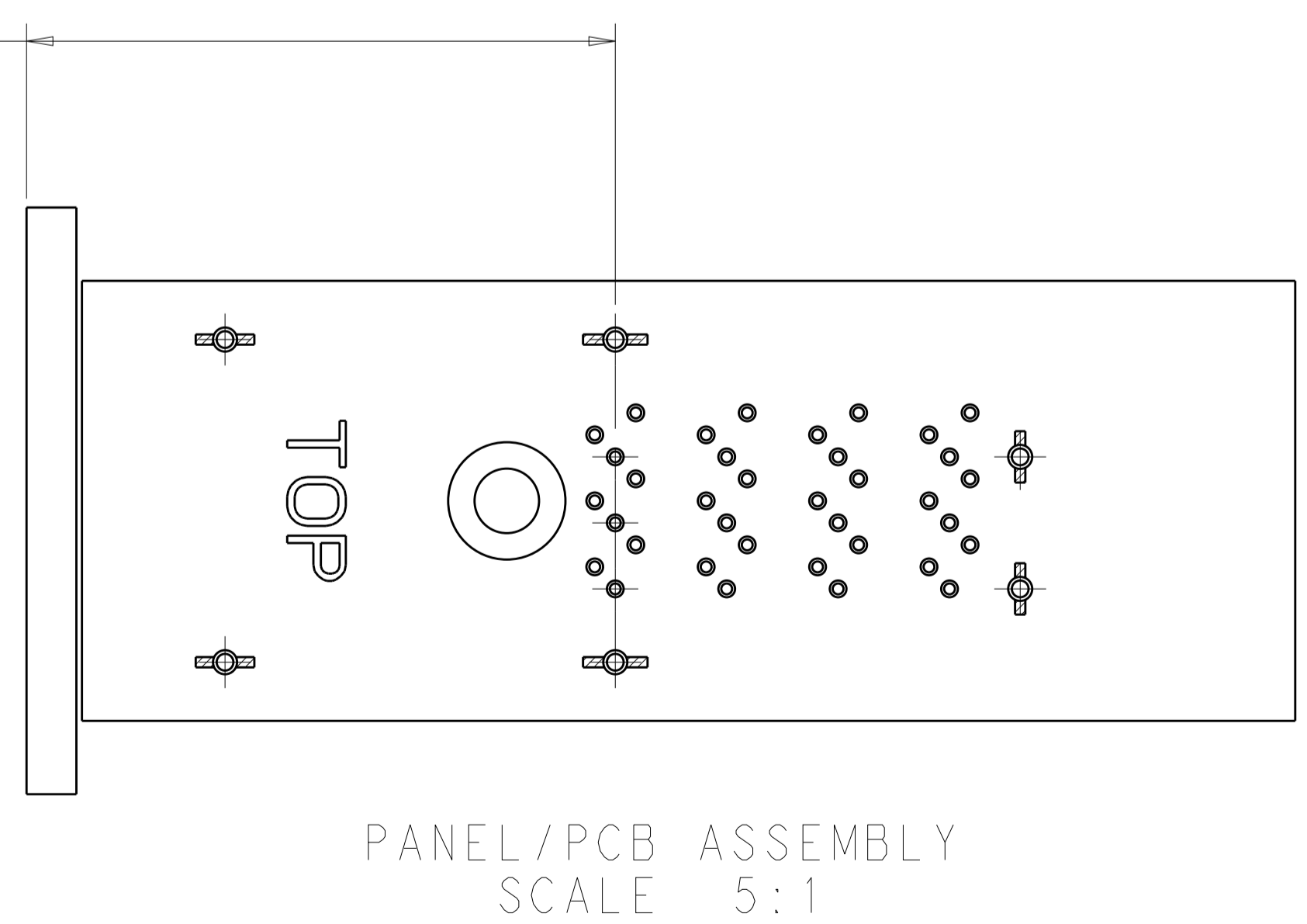
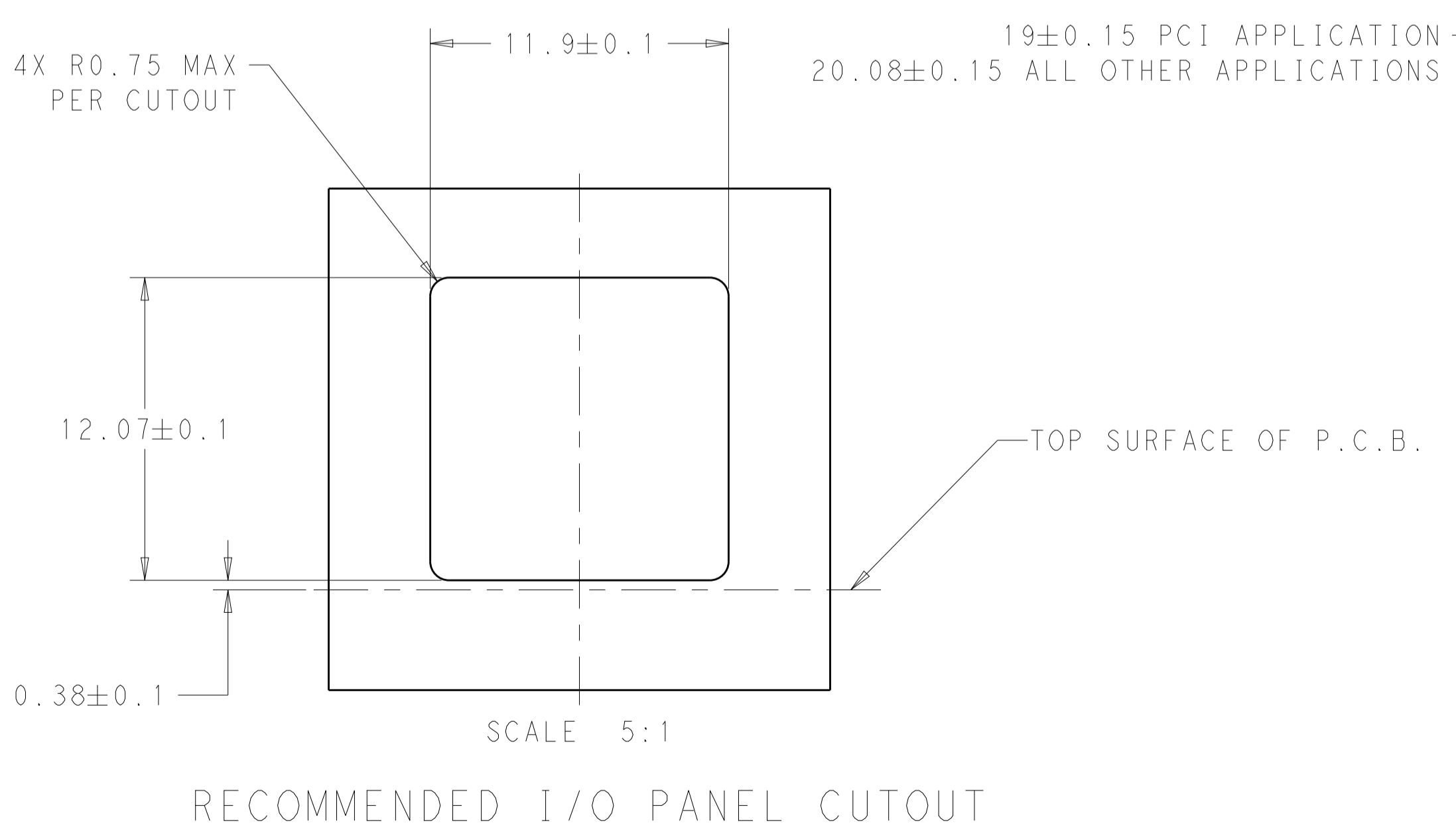
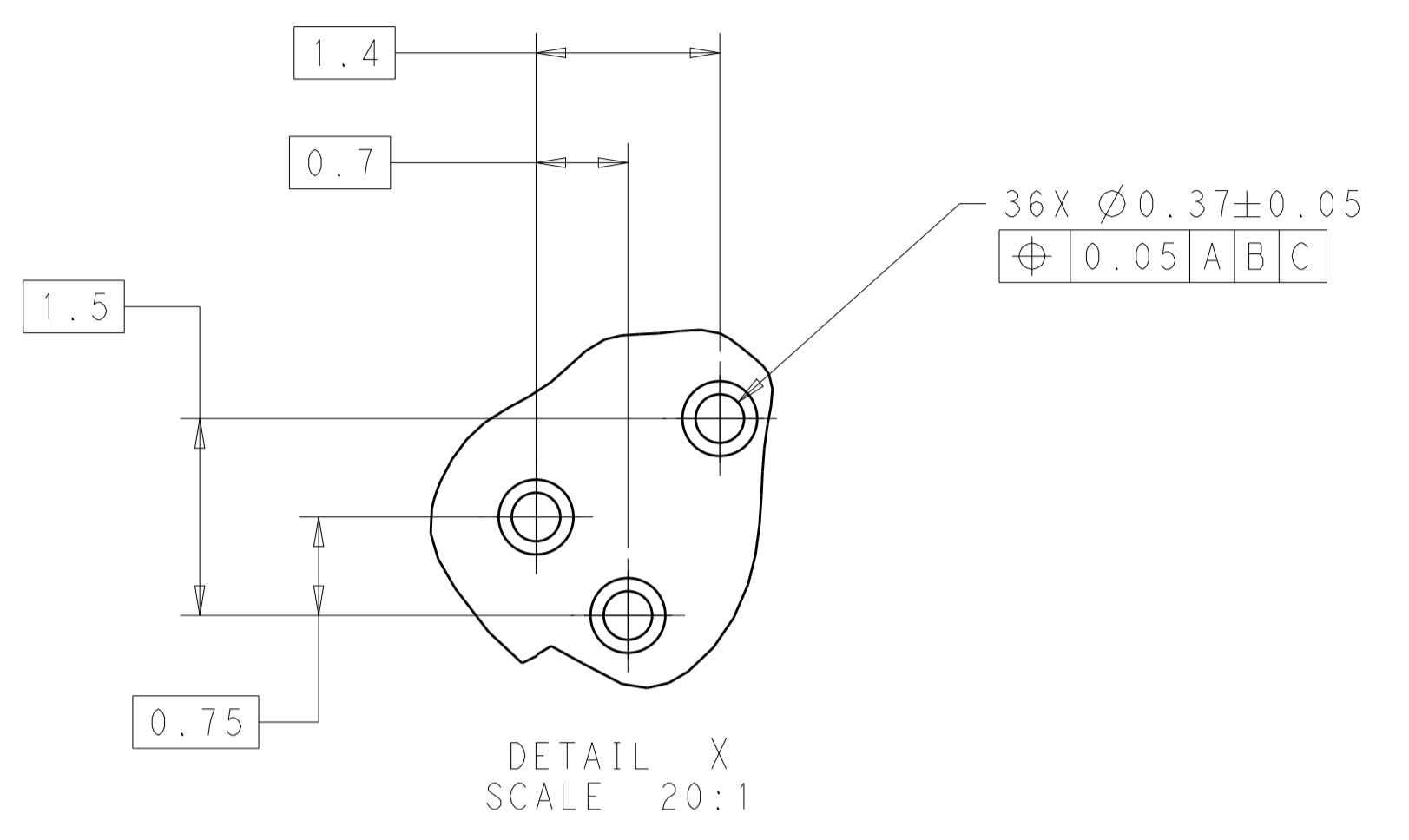
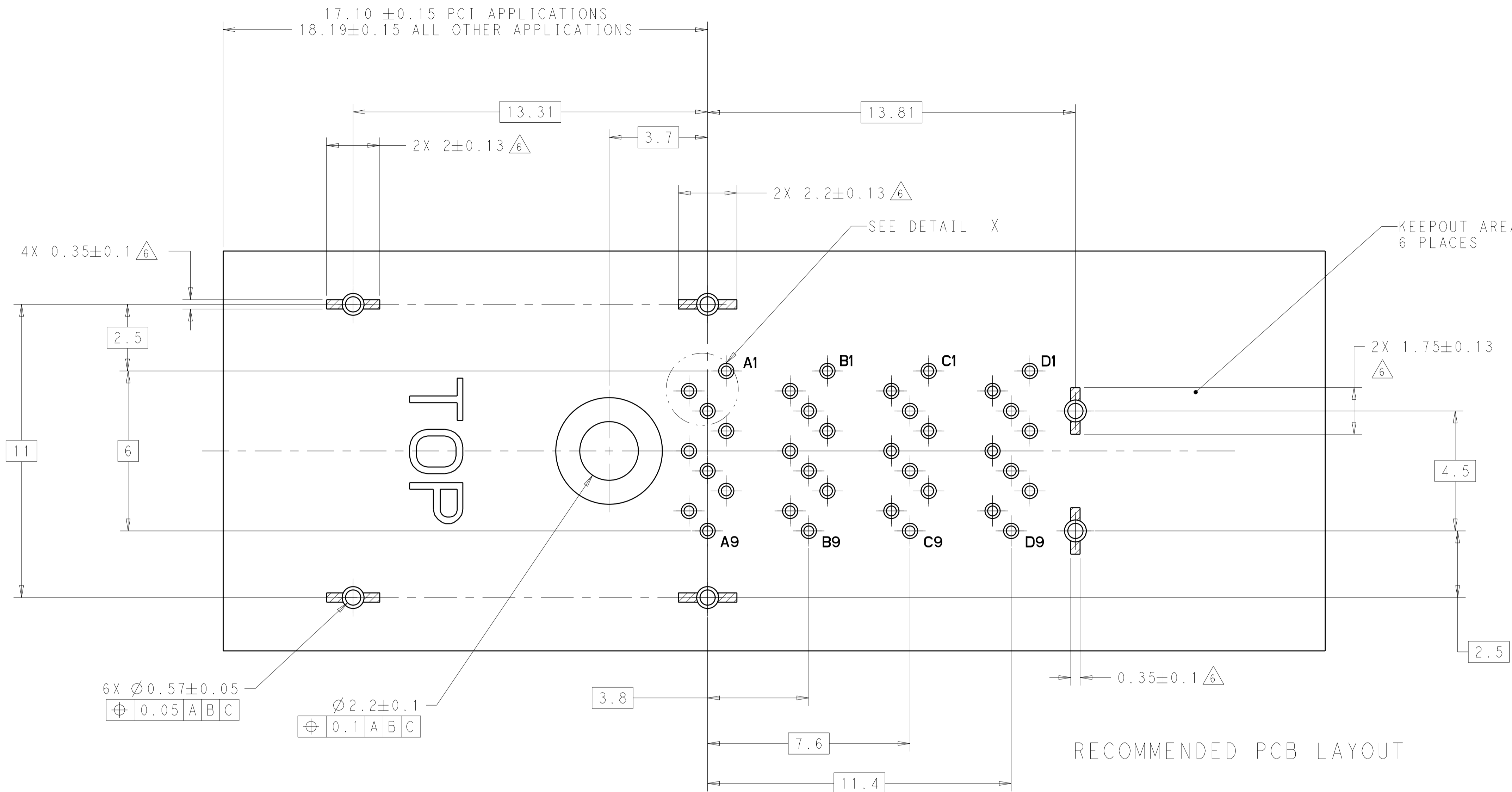
  

REVISIONS					
P.	LTN	DESCRIPTION	DATE	DWN	APPV
-		SEE SHEET 1	-	-	-



THIS DRAWING IS A CONTROLLED DOCUMENT.		DWN C. VALENTINE 21AUG23013	
DIMENSIONS:		CHK D. GORENC 21AUG23013	
mm	TOLERANCES UNLESS OTHERWISE SPECIFIED:	APVD D. GORENC 21AUG23013	NAME RECEPTACLE ASSEMBLY, MINI-SAS HD
0 PLC ±0.13	1 PLC ±"	PRODUCT SPEC	-
2 PLC ±"	3 PLC ±"	108-2462	-
4 PLC ±"	ANGLES ±"	APPLICATION SPEC	-
FINISH	114-13316	WEIGHT	SIZE CAGE CODE DRAWING NO
MATERIAL			A100779C=2274215
		CUSTOMER DRAWING	RESTRICTED TO
		SCALE 8:1	SHEET 2 OF 3
			REV C

LOC	DIST	REV	DESCRIPTION	DATE	OWN	APVD
			SEE SHEET 1			



THIS DRAWING IS A CONTROLLED DOCUMENT.		OWN: C. VALENTINE 21AUG23013	TE Connectivity NAME: RECEPTACLE ASSEMBLY, MINI-SAS HD
DIMENSIONS: mm		CHK: D. GORENC 21AUG23013	
TOLERANCES UNLESS OTHERWISE SPECIFIED:		APVD: D. GORENC 21AUG23013	PRODUCT SPEC: 108-2462
0 PLC ± 0.13 1 PLC ± 2 PLC ± 3 PLC ± 4 PLC ± ANGLES ±		APPLICATION SPEC: 114-13316	SIZE: CAGE CODE DRAWING NO: A100779C=2274215
MATERIAL: FINISH:		WEIGHT:	RESTRICTED TO: C
CUSTOMER DRAWING		SCALE: 8:1	SHEET 3 OF 3 REV C

## X-ON Electronics

Largest Supplier of Electrical and Electronic Components

*Click to view similar products for [I/O Connectors](#) category:*

*Click to view products by [TE Connectivity](#) manufacturer:*

Other Similar products are found below :

[571763P](#) [61-168618-12P](#) [72.250.1628.2](#) [72.250.2428.2](#) [74720-0505](#) [76.350.0729.0](#) [76871-1403](#) [MP-5T180MUNNA-005](#) [PCR-E36PM](#) [PCS-XES68MS+](#) [G38A71314B](#) [9776-18-6](#) [1571250010](#) [157-22500-3](#) [MS3471L14-19P L/C](#) [192991-0703](#) [91-644626-35P](#) [SM3100F14S-58S](#)  
[172501-6002](#) [FCN-260C008-A/L0](#) [FCN-260C024-AL0](#) [FCN-261Z008](#) [2000314-1](#) [200331-1](#) [PCR-E36FC+](#) [PCS-E28FS+](#) [PCS-XE26SLFD+](#)  
[PCS-XE26SLFDT+](#) [G730VID08BDC24](#) [HDMR-29-01-S-SM-TR](#) [HDRA-E68W1LFDTC-SL+](#) [HDR-E14MSG1+](#) [54182-0605](#) [38113800006](#)  
[DP3AR020WQ1R200](#) [Z4.102.0680.0](#) [500-1040](#) [500-1052](#) [500-1054](#) [ZP-4008-66L](#) [10-584459-12P](#) [SM3106F14S-7S-LC](#) [SM3106R18-18S](#)  
[U90B3054061110](#) [U65-E04-4020](#) [ZPF000000000097891](#) [557-262M2-06C](#) [60-042222-02S](#) [10099439-003C-TRLF](#) [226-0348-000](#)