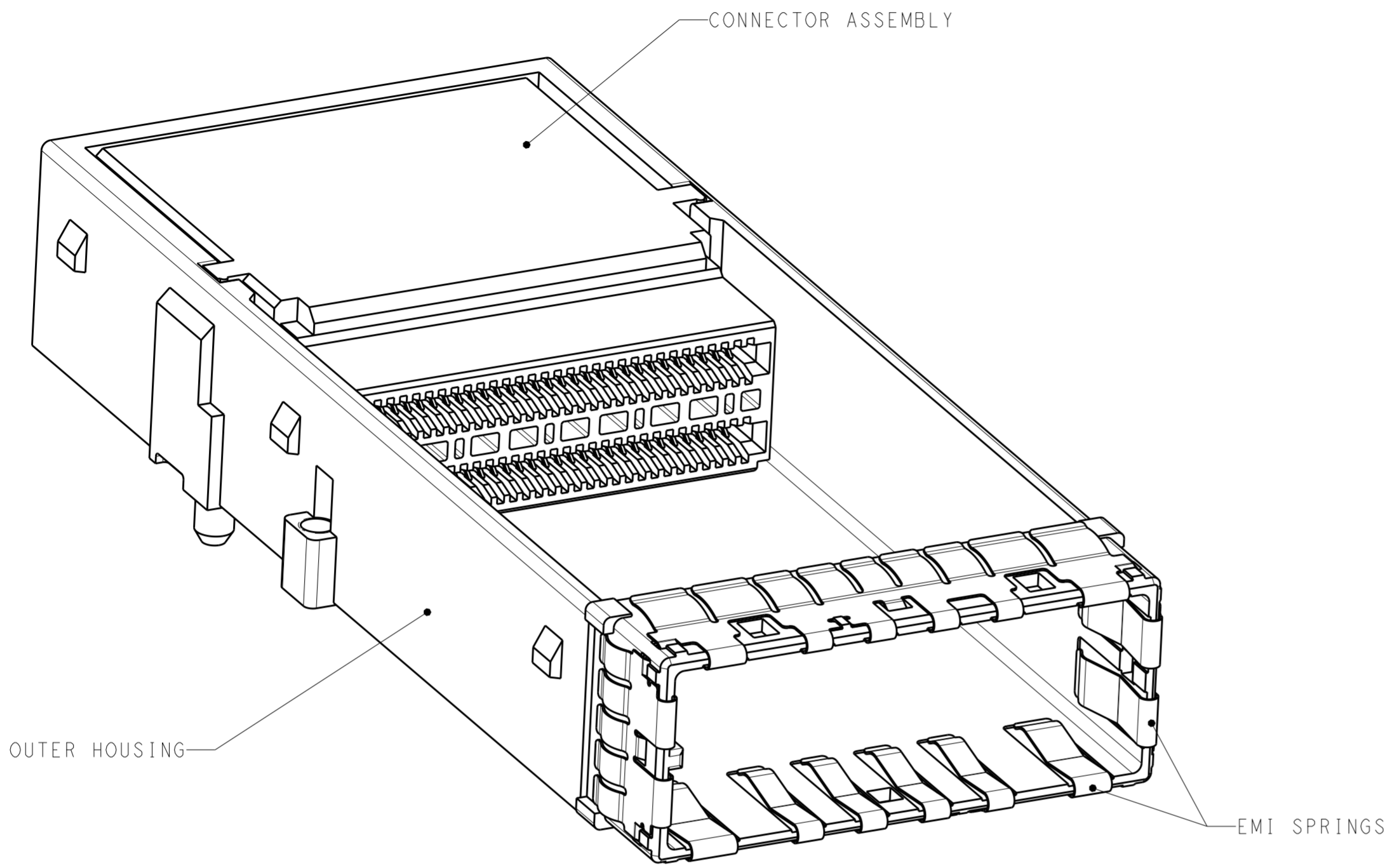


THIS DRAWING IS UNPUBLISHED. RELEASED FOR PUBLICATION 20
 © COPYRIGHT 20 BY - ALL RIGHTS RESERVED.

REVISIONS				
P	LTR	DESCRIPTION	DATE	APVD
A		RELEASED PER ECO-16-005951	26APR2016	PR JW



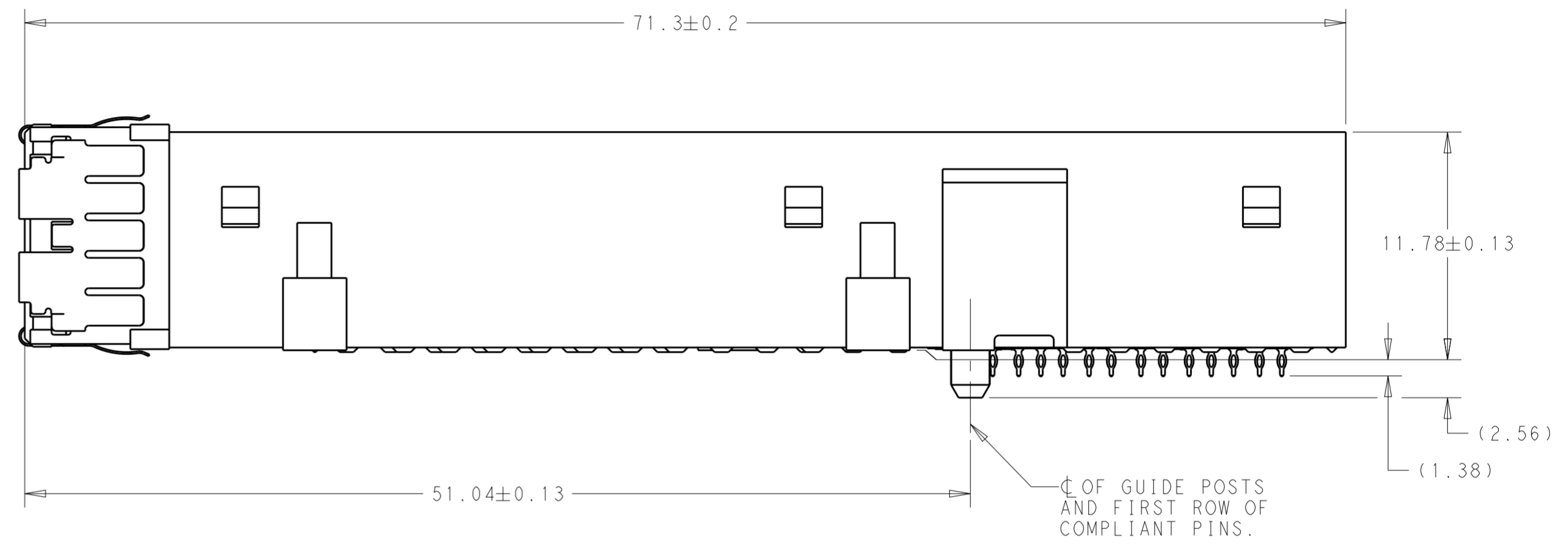
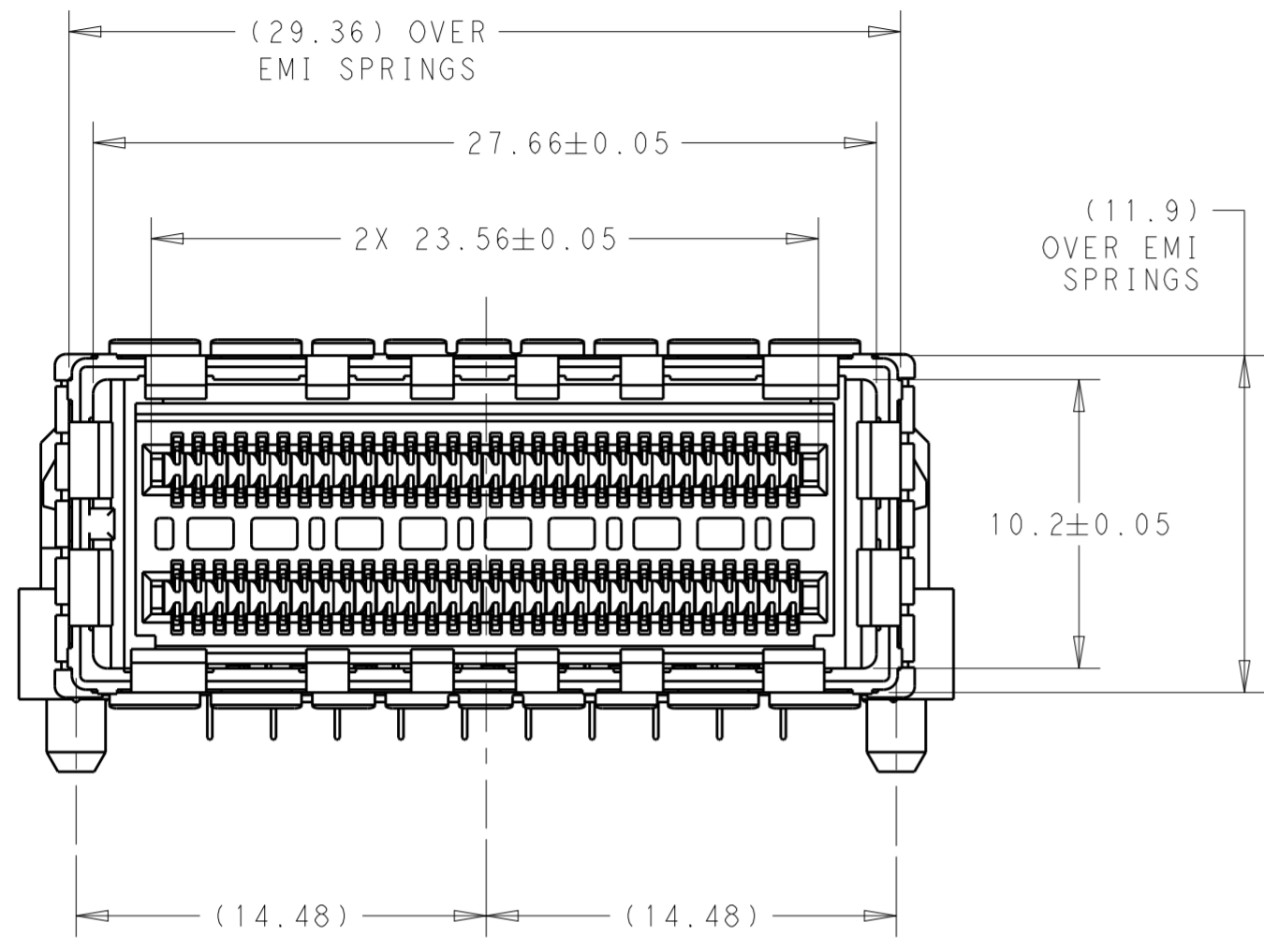
- MATERIALS:
 OUTER HOUSING - NICKEL PLATED ZINC ALLOY PER ASTM B 240.
 CONNECTOR HOUSINGS - LCP, UL 94V-0 RATED.
 CHICKLETS - LCP, UL 94V-0 RATED.
 CONTACTS - PHOSPHOR BRONZE.
 EMI SPRINGS - COPPER ALLOY.
- CONTACT FINISH:
 CONFORMS TO THE REQUIREMENTS OF TYCO ELECTRONICS PRODUCT SPECIFICATION 108-XXXX, BASED ON EIA/ECA-364-1000.01A, (CONTROLLED ENVIRONMENT APPLICATIONS) ON MATING INTERFACES. TIN ON COMPLIANT PINS.
- PCB THICKNESS 1.57 MINIMUM.
- △ FOR HOLE SIZE AND PLATINGS, SEE APPLICATION SPEC 114-XXXXXX.
- △ CROSS HATCHED AREA INDICATES REQUIRED CONDUCTIVE AREA ON SURFACE OF PCB. NO COMPONENTS OR TOP SIDE SURFACE TRACES ALLOWED IN THIS AREA.
- MOUNTING HARDWARE REQUIRED:
 3X M2X0.4 - SCREW LENGTH = PCB THICKNESS + (2 TO 4).

2274233-1
PART NUMBER

THIS DRAWING IS A CONTROLLED DOCUMENT.		DWN 04NOV2013 C. VALENTINE	TE Connectivity	
DIMENSIONS: mm		CHK 04NOV2013 M. PHILLIPS		
TOLERANCES UNLESS OTHERWISE SPECIFIED:		APVD 04NOV2013 M. PHILLIPS	NAME RECEPTACLE, TYPE 2, CDFP	
		PRODUCT SPEC 108-32065	SIZE A2	CAGE CODE -
MATERIAL SEE NOTES		APPLICATION SPEC 114-32114	DRAWING NO C-2274233	RESTRICTED TO -
FINISH SEE NOTES		WEIGHT -	SCALE 4:1	SHEET 1 OF 4
		CUSTOMER DRAWING		REV A

THIS DRAWING IS UNPUBLISHED. RELEASED FOR PUBLICATION 20
 © COPYRIGHT 20 BY - ALL RIGHTS RESERVED.

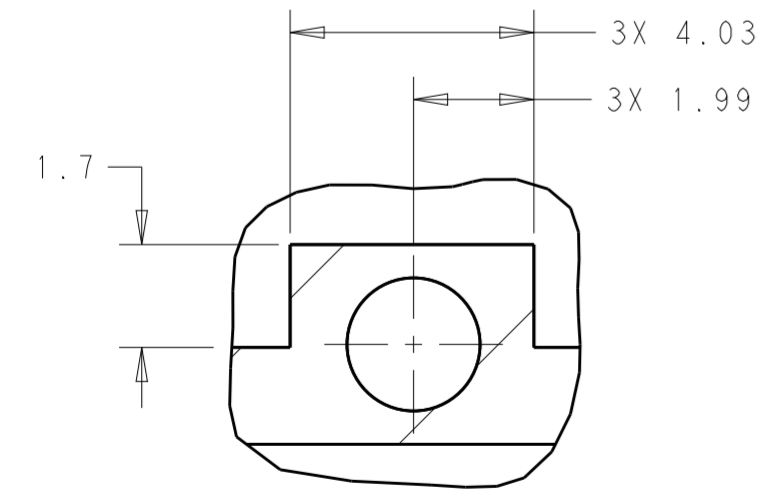
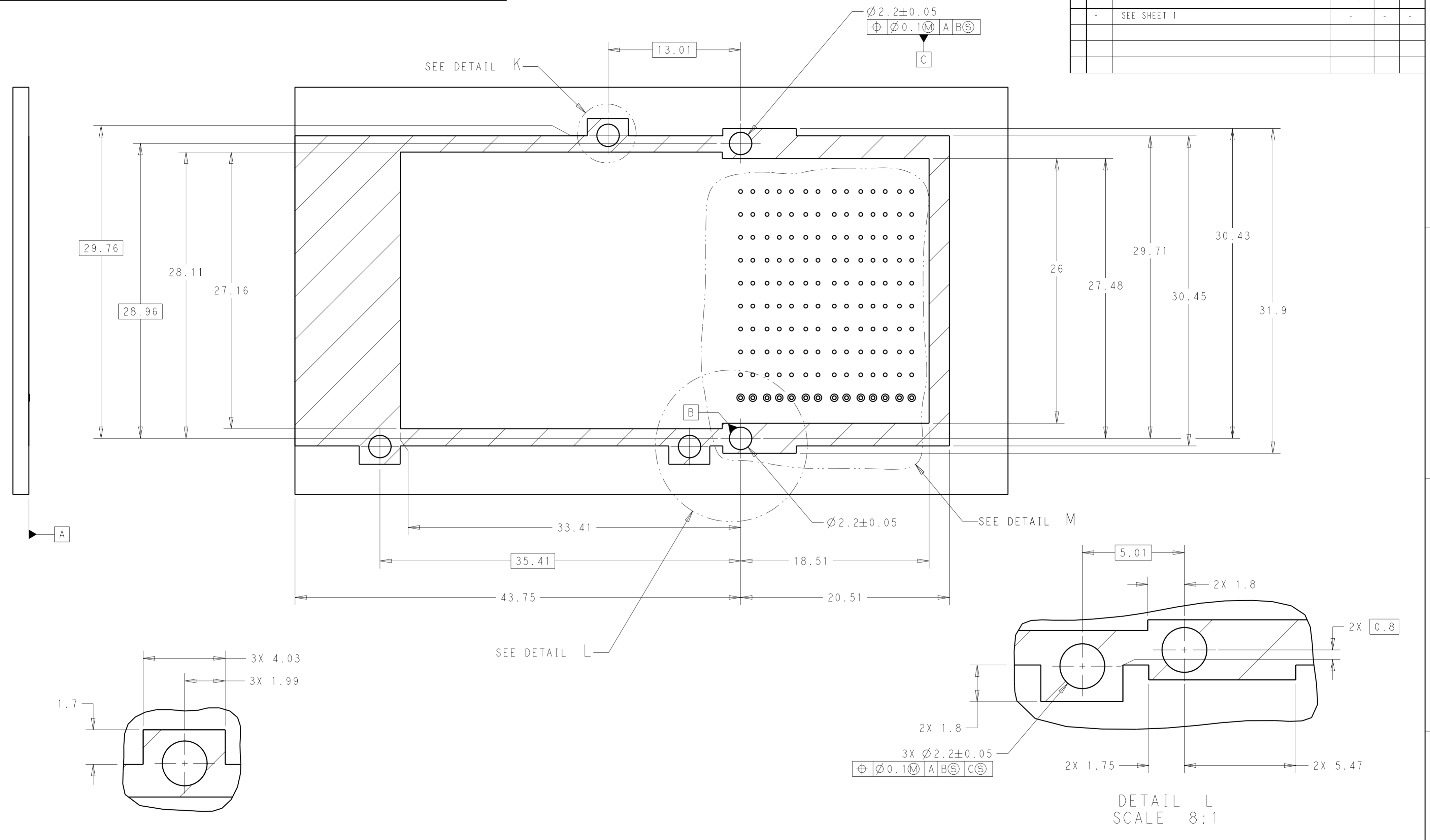
REVISIONS				
P	LTR	DESCRIPTION	DATE	APVD
-		SEE SHEET 1	-	-



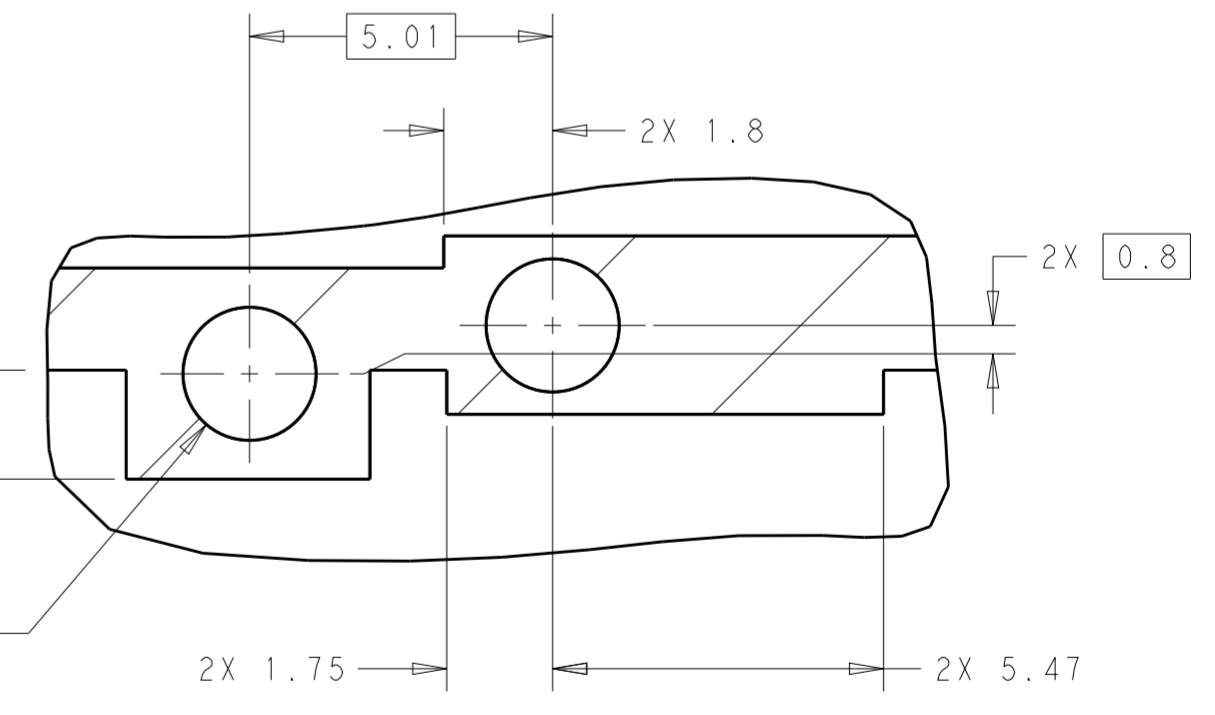
THIS DRAWING IS A CONTROLLED DOCUMENT.		DWN 04NOV2013 C. VALENTINE	STE TE Connectivity	
DIMENSIONS: mm		CHK 04NOV2013 M. PHILLIPS		
TOLERANCES UNLESS OTHERWISE SPECIFIED:		APVD 04NOV2013 M. PHILLIPS	NAME RECEPTACLE, TYPE 2, CDFP	
0 PLC ±0.1		PRODUCT SPEC 108-32065	SIZE A2	CAGE CODE -
1 PLC ±0.1		APPLICATION SPEC 114-32114	DRAWING NO C-2274233	RESTRICTED TO -
2 PLC ±0.1		WEIGHT -	SCALE 4:1	SHEET 2 OF 4
3 PLC ±0.1		CUSTOMER DRAWING	REV A	
4 PLC ±0.1				
ANGLES ±				
FINISH				
MATERIAL SEE NOTES				

THIS DRAWING IS UNPUBLISHED. RELEASED FOR PUBLICATION 20
 © COPYRIGHT 20 BY - ALL RIGHTS RESERVED.

REVISIONS				
P	LTR	DESCRIPTION	DATE	APVD
-		SEE SHEET 1	-	-



DETAIL K
SCALE 8:1

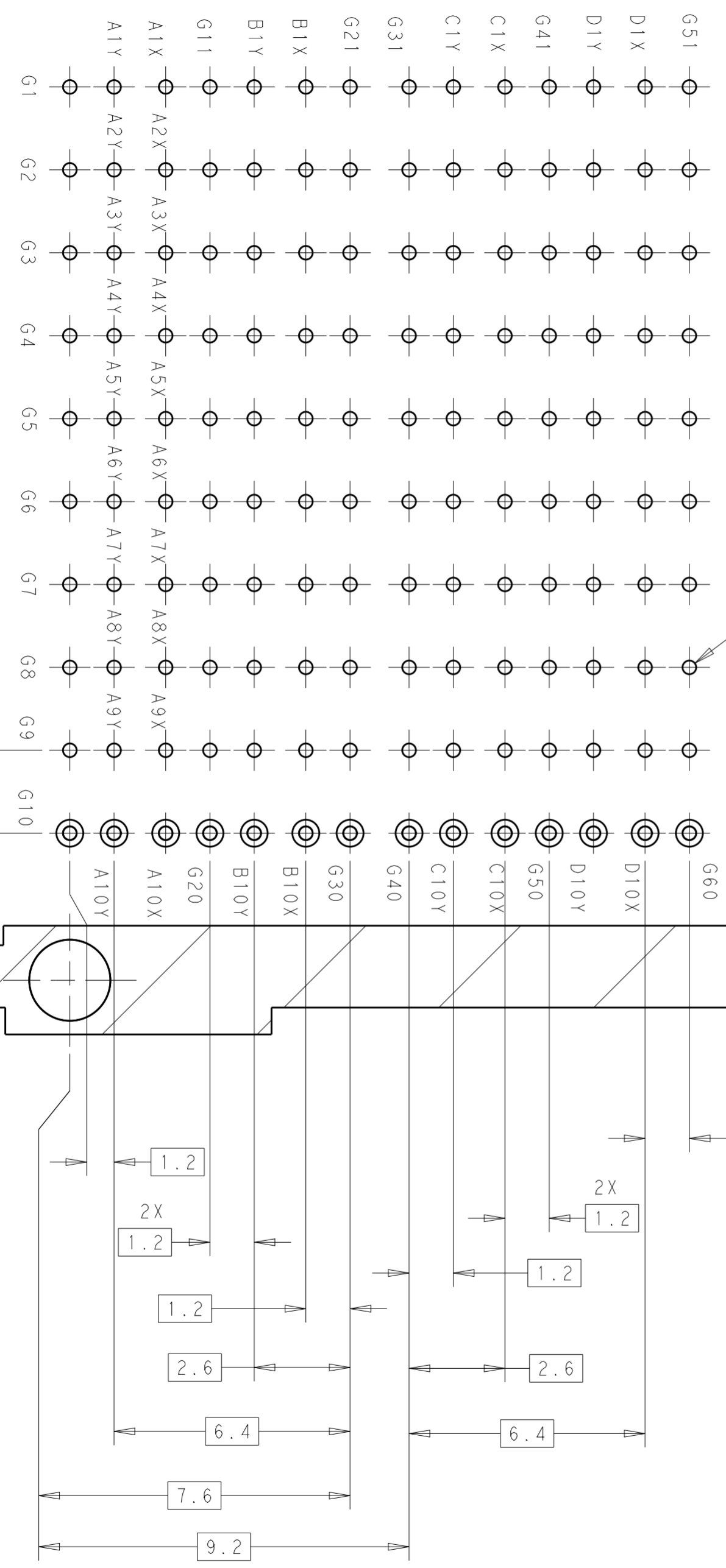


DETAIL L
SCALE 8:1

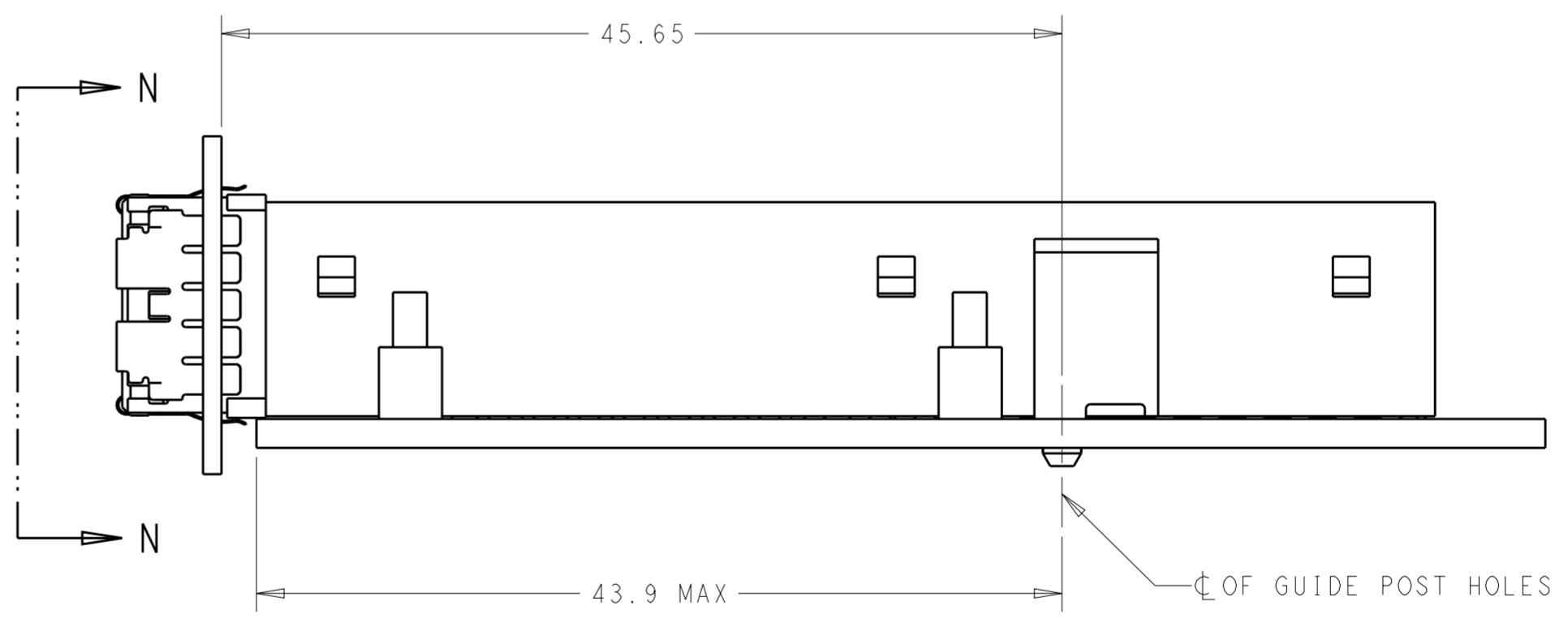
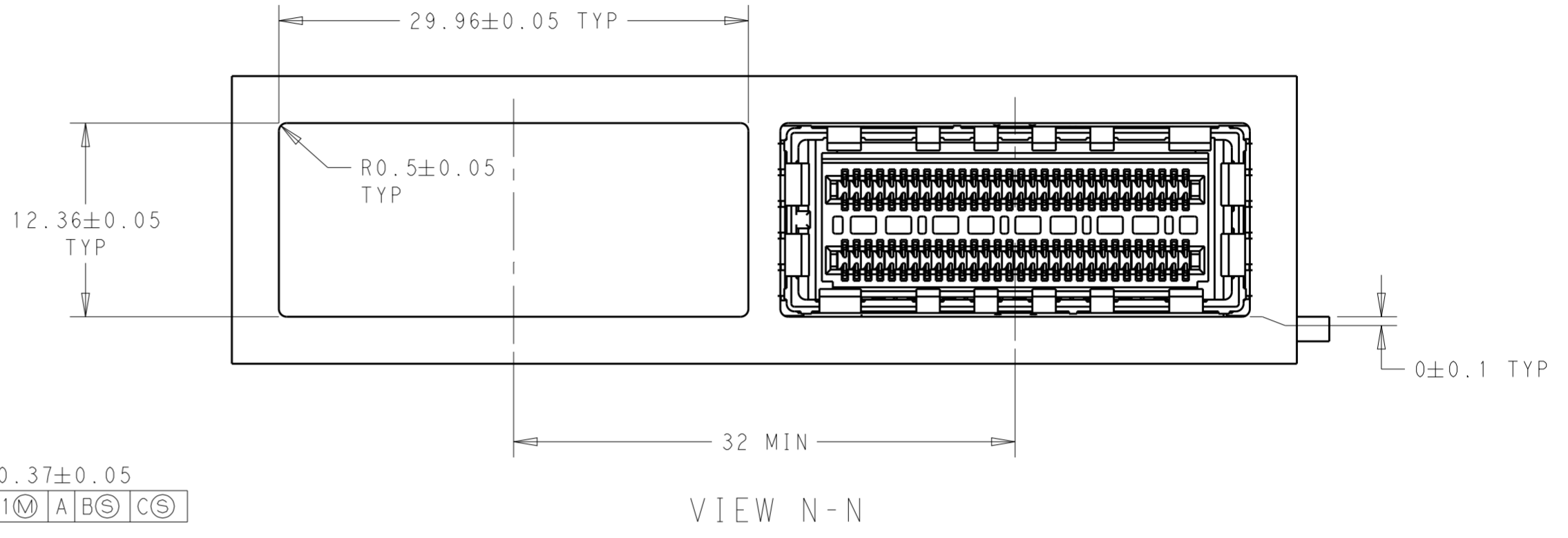
THIS DRAWING IS A CONTROLLED DOCUMENT.		DWN C. VALENTINE 04NOV2013	TE Connectivity	
DIMENSIONS: mm		CHK M. PHILLIPS 04NOV2013		
TOLERANCES UNLESS OTHERWISE SPECIFIED:		APVD M. PHILLIPS 04NOV2013	NAME RECEPTACLE, TYPE 2, CDFP	
0 PLC ±0.1	1 PLC ±0.1	PRODUCT SPEC 108-32065	SIZE A2	CAGE CODE -
2 PLC ±0.1	3 PLC ±0.1	APPLICATION SPEC 114-32114	DRAWING NO C-2274233	RESTRICTED TO -
4 PLC ±0.1	ANGLES ±	WEIGHT -	SCALE 4:1	SHEET 3 OF 4
MATERIAL SEE NOTES	FINISH SEE NOTES	CUSTOMER DRAWING	REV A	

THIS DRAWING IS UNPUBLISHED. RELEASED FOR PUBLICATION 20
 © COPYRIGHT 20 BY - ALL RIGHTS RESERVED.

REVISIONS				
P	LTR	DESCRIPTION	DATE	APVD
-	-	SEE SHEET 1	-	-



140X $\varnothing 0.37 \pm 0.05$
 $\varnothing 0.1$ M A B S C S



DETAIL M
 SCALE 8:1

THIS DRAWING IS A CONTROLLED DOCUMENT.		DWN 04NOV2013 C. VALENTINE	TE Connectivity	
DIMENSIONS: mm		CHK 04NOV2013 M. PHILLIPS		
TOLERANCES UNLESS OTHERWISE SPECIFIED:		APVD 04NOV2013 M. PHILLIPS	PRODUCT SPEC 108-32065	SIZE A2
0 PLC ±0.1		APPLICATION SPEC 114-32114	RESTRICTED TO -	SCALE 4:1
1 PLC ±0.1		WEIGHT -	CAGE CODE -	SHEET 4 OF 4
2 PLC ±0.1		CUSTOMER DRAWING	DRAWING NO C-2274233	REV A
3 PLC ±0.1				
4 PLC ±0.1				
ANGLES ±				
FINISH				
MATERIAL SEE NOTES				
SEE NOTES				

X-ON Electronics

Largest Supplier of Electrical and Electronic Components

Click to view similar products for [I/O Connectors](#) category:

Click to view products by [TE Connectivity](#) manufacturer:

Other Similar products are found below :

[571763P](#) [72.250.1628.2](#) [72.250.2428.2](#) [74720-0505](#) [76.350.0729.0](#) [76871-1403](#) [FCN-244F080-G/1](#) [FCN-260A9920](#) [MP-5T180MUNNA-005](#)
[PCR-E36PM](#) [PCS-XE26MA+](#) [G38A71314B](#) [1571250010](#) [157-22500-3](#) [MS3471L14-19P L/C](#) [91-569786-35H](#) [172501-4002](#) [172501-6002](#)
[FCN-260C008-A/L0](#) [FCN-260C024-AL0](#) [FCN-261Z008](#) [2000314-1](#) [200331-1](#) [PCR-E36FC+](#) [PCS-E28FS+](#) [PCS-XE26SLFD+](#) [PCS-](#)
[XE26SLFDT+](#) [G730VID08BDC24](#) [HDMR-29-01-S-SM-TR](#) [U90B2054081210](#) [UE86K842720321](#) [38113800006](#) [DP3AR020WQ1R200](#)
[Z4.102.0680.0](#) [500-1040](#) [500-1052](#) [500-1054](#) [ZP-4008-66L](#) [0709821002](#) [10-565995-597N](#) [DX40-20P\(55\)](#) [5554841-1](#) [U90B3054061110](#)
[U65-E04-4020](#) [ZPF00000000097891](#) [557-262M2-06C](#) [747360449](#) [10099439-003C-TRLF](#) [10137239-0021LF](#) [E9320-001-01](#)