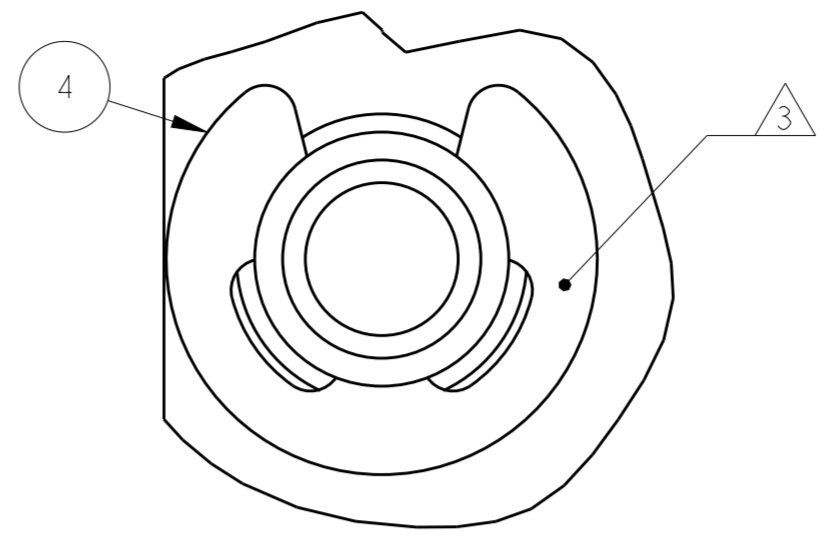
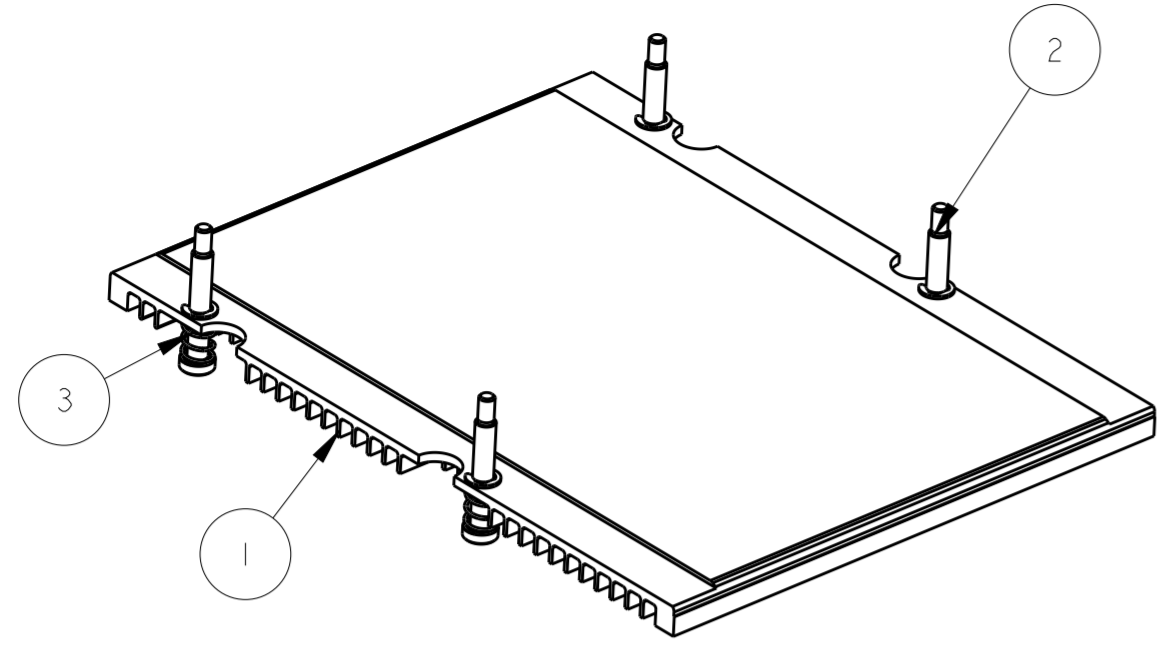


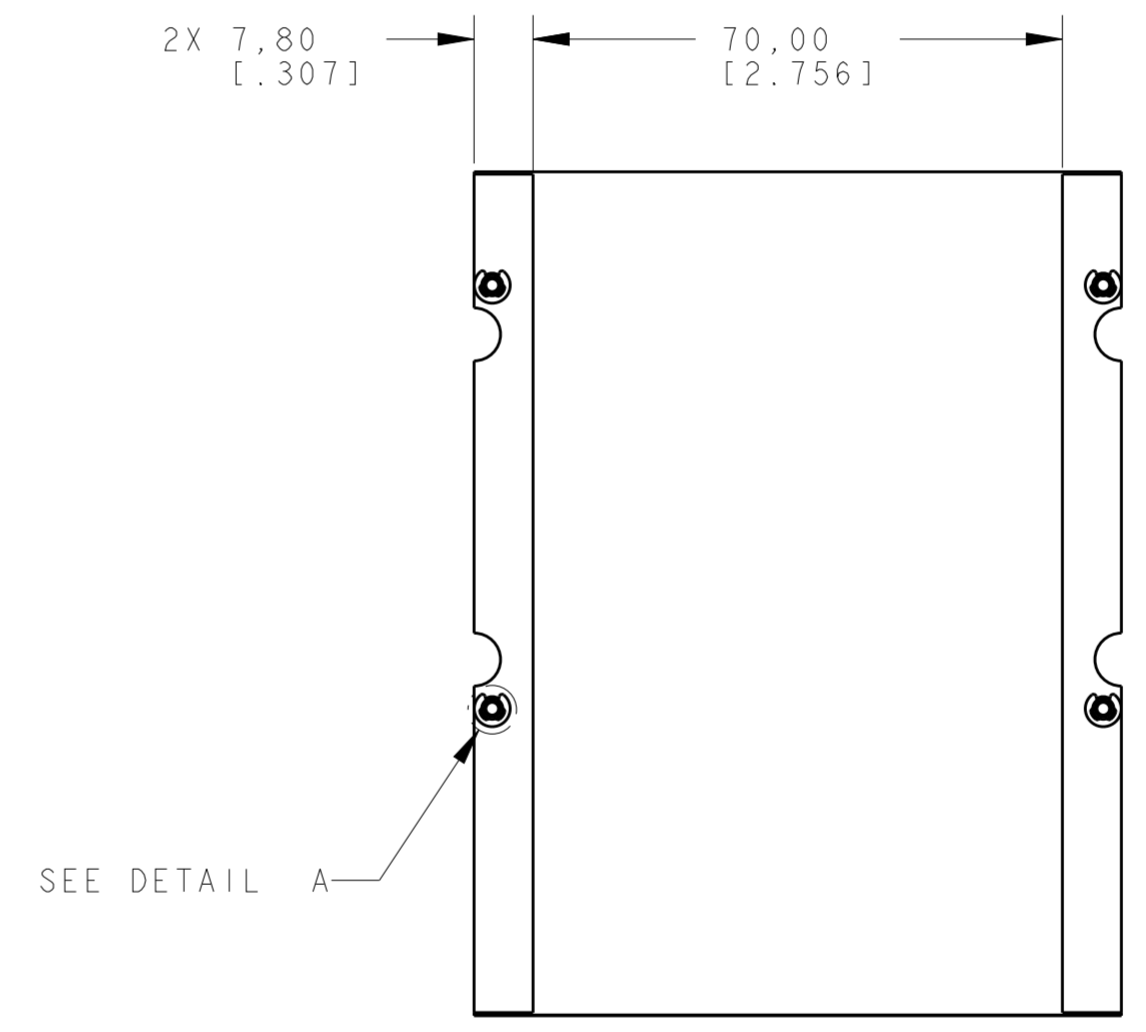
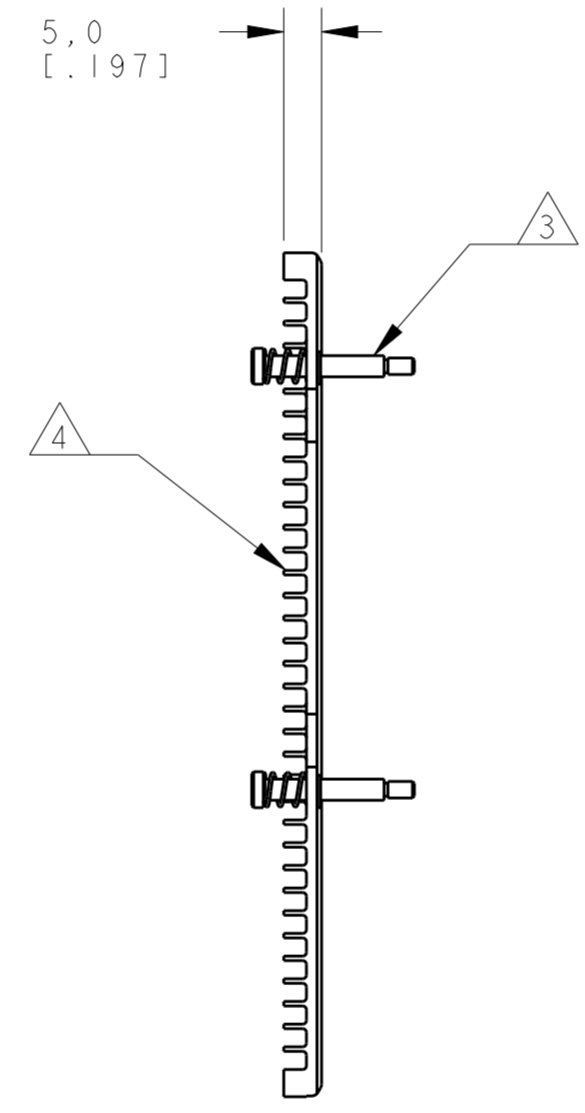
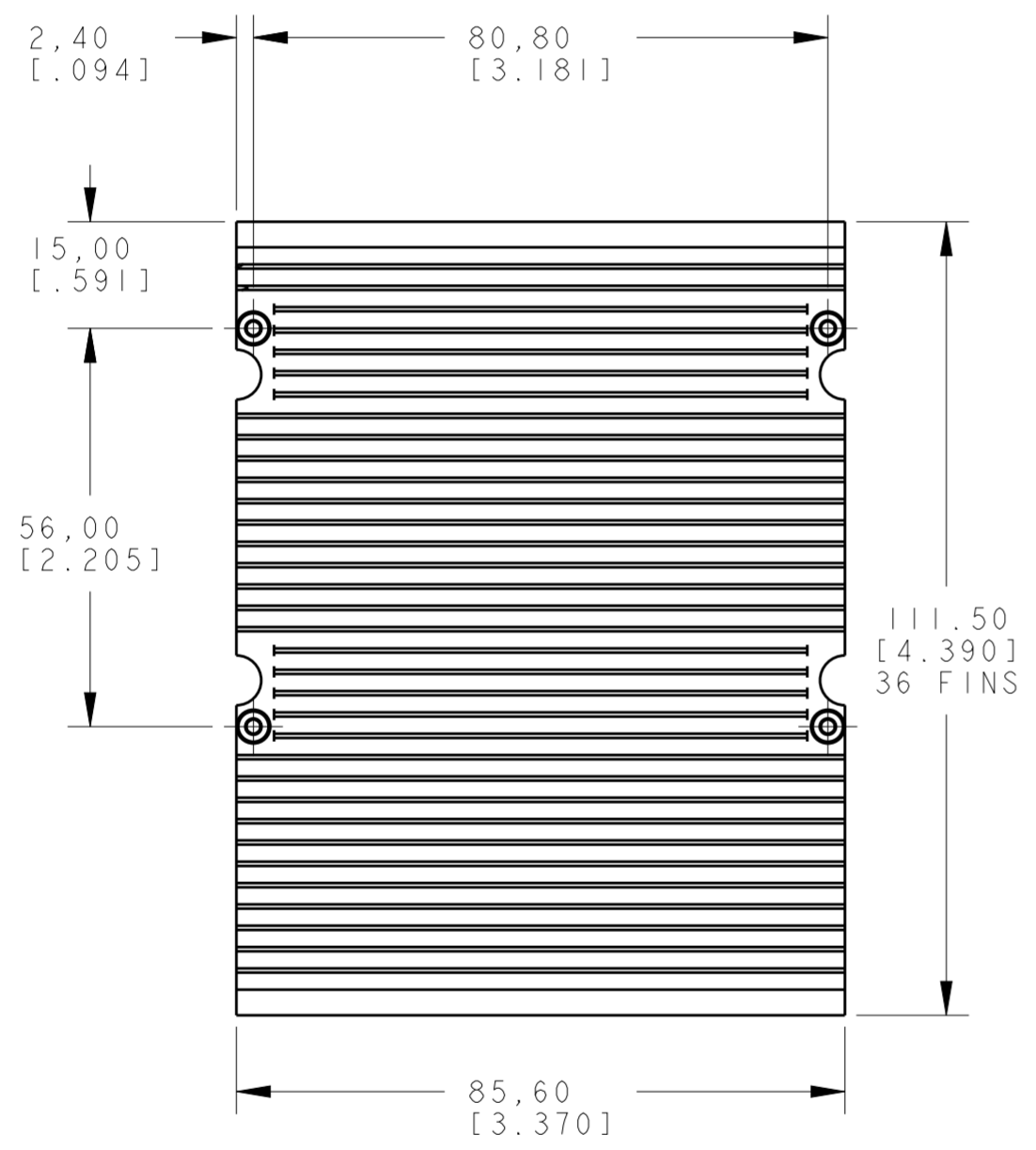
THIS DRAWING IS UNPUBLISHED. RELEASED FOR PUBLICATION 20
 © COPYRIGHT 20 BY - ALL RIGHTS RESERVED.

LOC	DIST	REVISIONS					
GP	00	P	LTR	DESCRIPTION	DATE	DWN	APVD
		A		RELEASED	17SEP2013	CJV	MRS
		B		REVISED PER ECO-16-002273	18FEB2016	PP	SH
		C		REVISED PER ECO-16-015207	09OCT2016	PP	SH



DETAIL A
SCALE 12.000

- 1 HEATSINK MATERIAL: ALUMINUM ALLOY
- 2 FINISH: HARDCOAT ANNOXIDIZED
- 3 2-56 SHOULDER BOLT AND SPRING PRE-ASSEMBLED AND HELD IN PLACE WITH CLIP
- 4 FULL ROUND PERMITTED ON TOP OF HEATSINK FINS



QTY	UNIT	DESCRIPTION	ITEM NO.
4	4	E-CLIP	4
4	4	SPRING	3
4	4	2-56 SHOULDER SCREW	2
1	-	HEAT SINK (36 FINS, LOW)	1
-	-	HEAT SINK (36 FINS)	
-	-	HEAT SINK (46 FINS)	
-5	-3	DESCRIPTION	ITEM NO.

2274283-1 AS SHOWN

THIS DRAWING IS A CONTROLLED DOCUMENT.

DWN: C. VALENTINE 17SEP2013
 CHK: M. SCHMITT 17SEP2013
 APVD: M. SCHMITT 17SEP2013

STE TE Connectivity

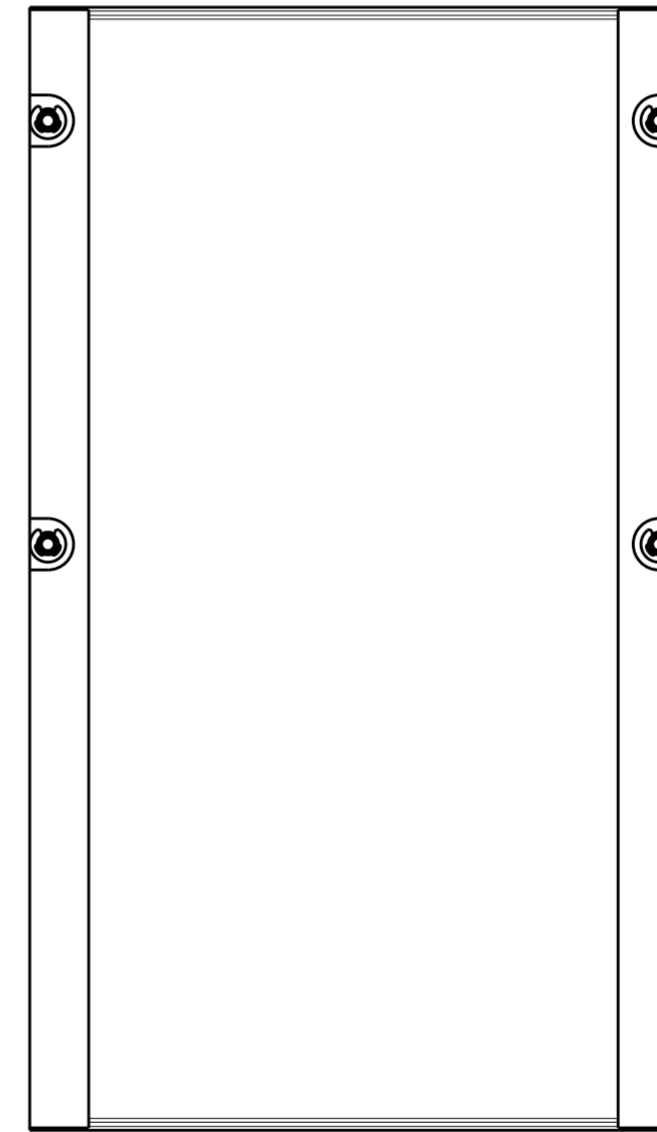
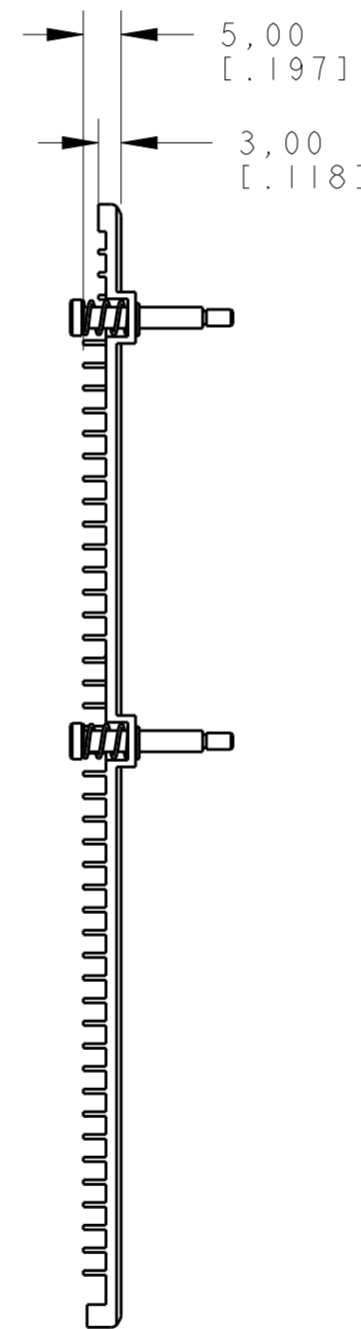
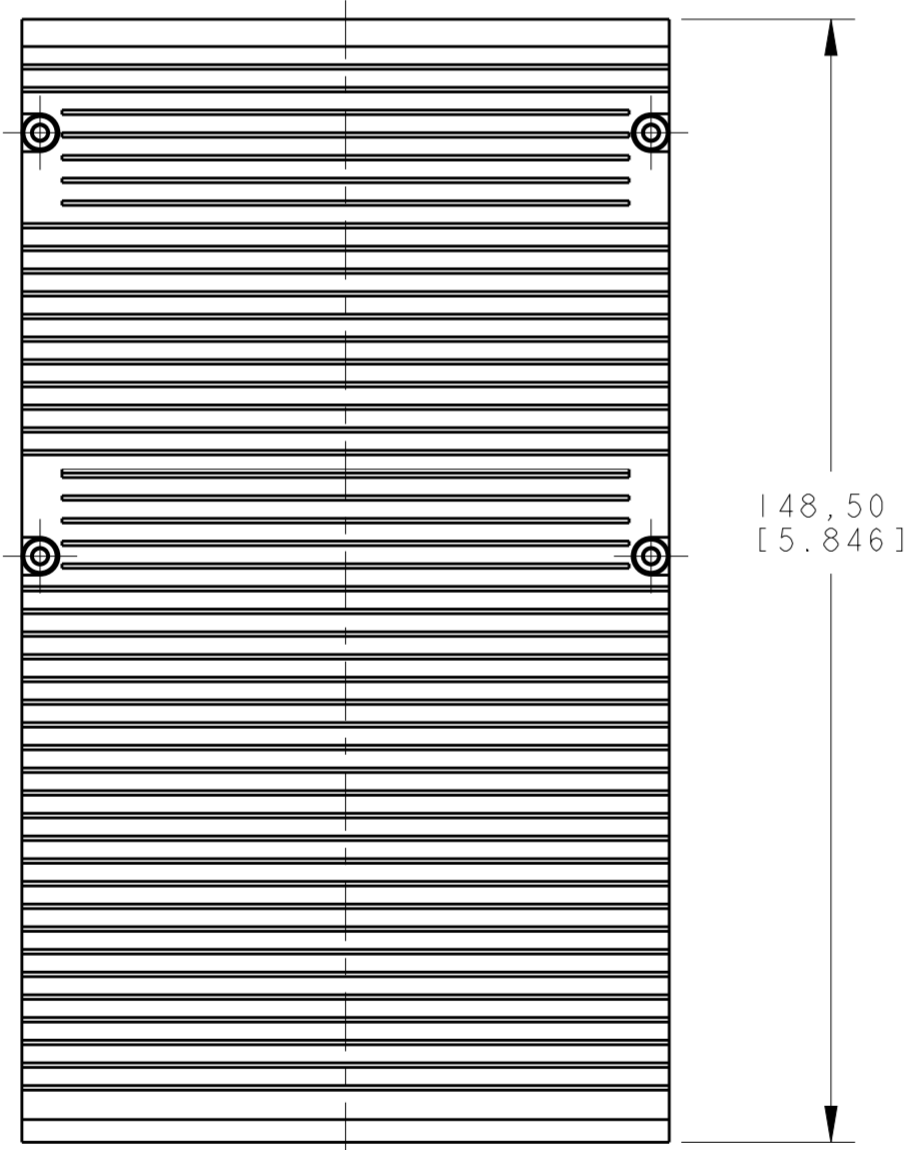
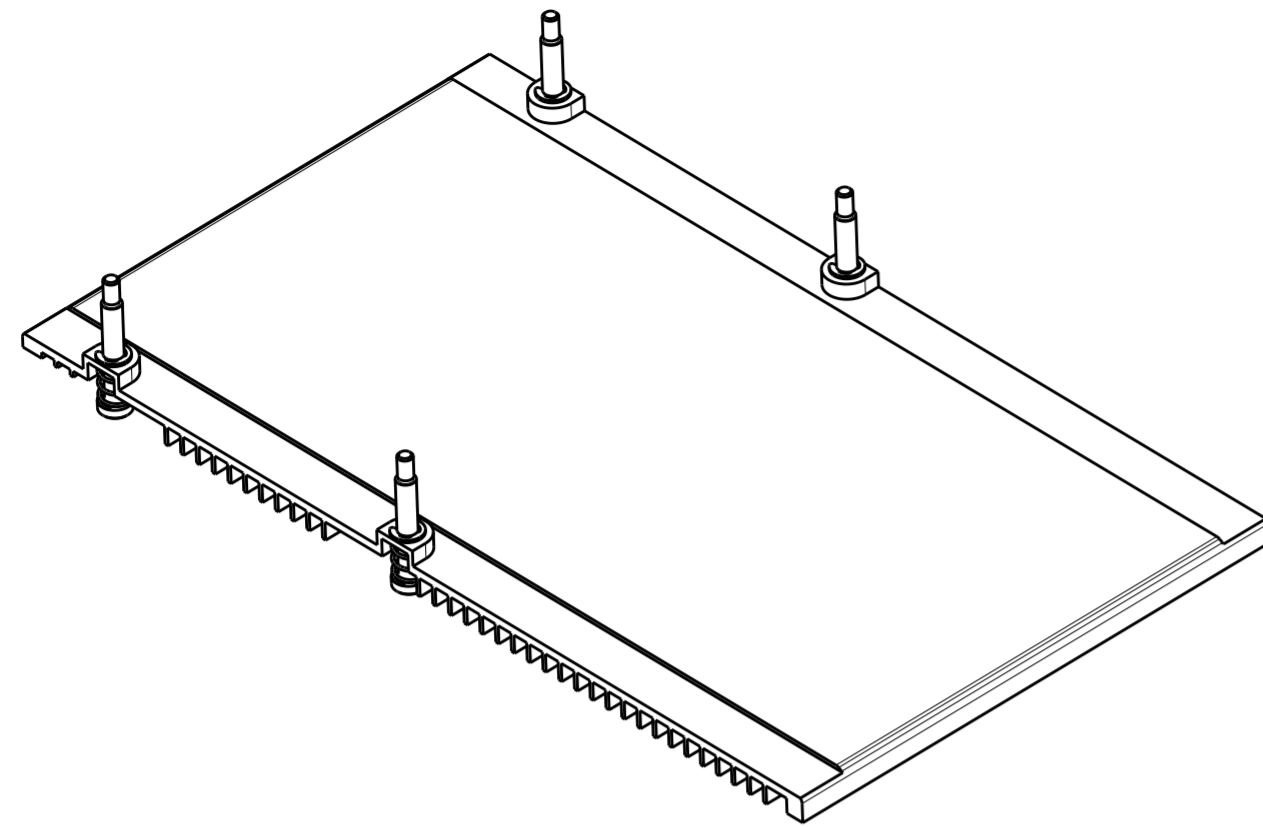
NAME: HEAT SINK ASSEMBLY 100 GIG PLUGGABLE

SIZE: A2 CAGE CODE: 0779 DRAWING NO: C-2274283 RESTRICTED TO: -

CUSTOMER DRAWING SCALE: 1.000 SHEET 1 OF 3 REV C

THIS DRAWING IS UNPUBLISHED. RELEASED FOR PUBLICATION 20
 © COPYRIGHT 20 BY - ALL RIGHTS RESERVED.

LOC	DIST	REVISIONS			
P	LTR	DESCRIPTION	DATE	DWN	APVD
-	-	SEE SHEET 1	-	-	-



2274283-3 AS SHOWN
 UNSPECIFIED DIMENSIONS REFER 2274283-1

THIS DRAWING IS A CONTROLLED DOCUMENT.		DWN C. VALENTINE 17SEP2013	TE Connectivity	
DIMENSIONS: mm(inch)		CHK M. SCHMITZ 17SEP2013		
TOLERANCES UNLESS OTHERWISE SPECIFIED:		APVD M. SCHMITZ 17SEP2013	NAME HEAT SINK ASSEMBLY 100 GIG PLUGGABLE	
0 PLC ±	1 PLC ±.5	PRODUCT SPEC	SIZE CAGE CODE DRAWING NO RESTRICTED TO	
2 PLC ±.25	3 PLC ±.125	APPLICATION SPEC	A200779 C-2274283	
4 PLC ±.0001	ANGLES ±	WEIGHT	SCALE 1.000 SHEET 2 OF 3 REV C	
MATERIAL	FINISH	CUSTOMER DRAWING		

4

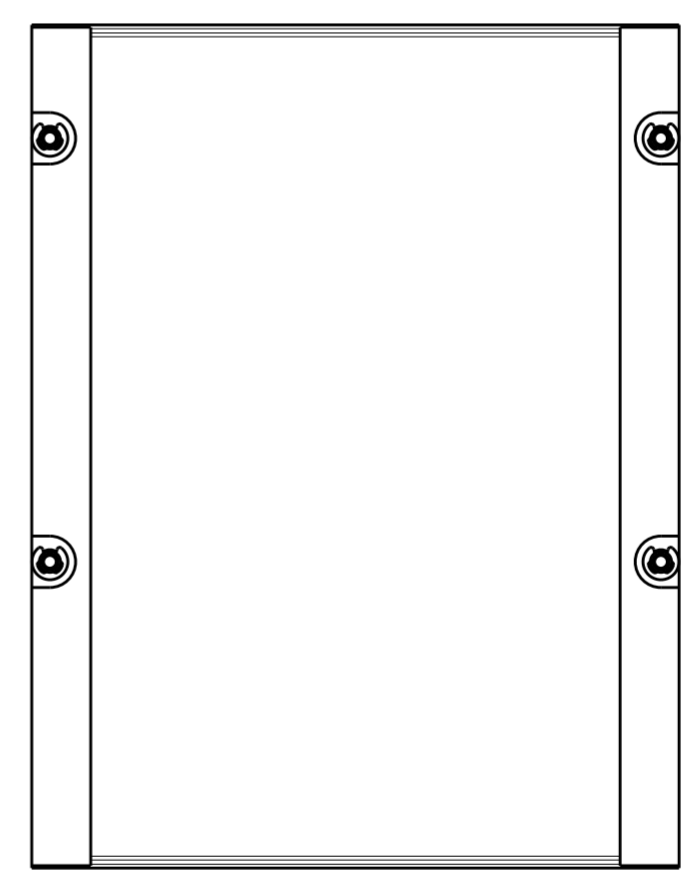
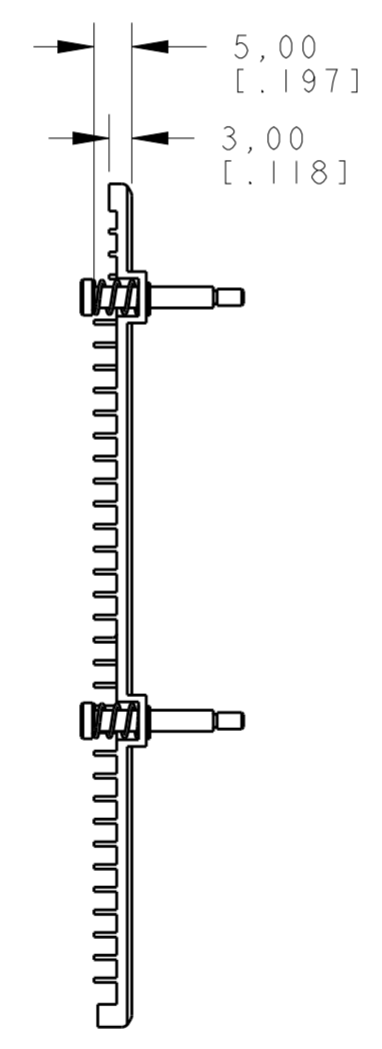
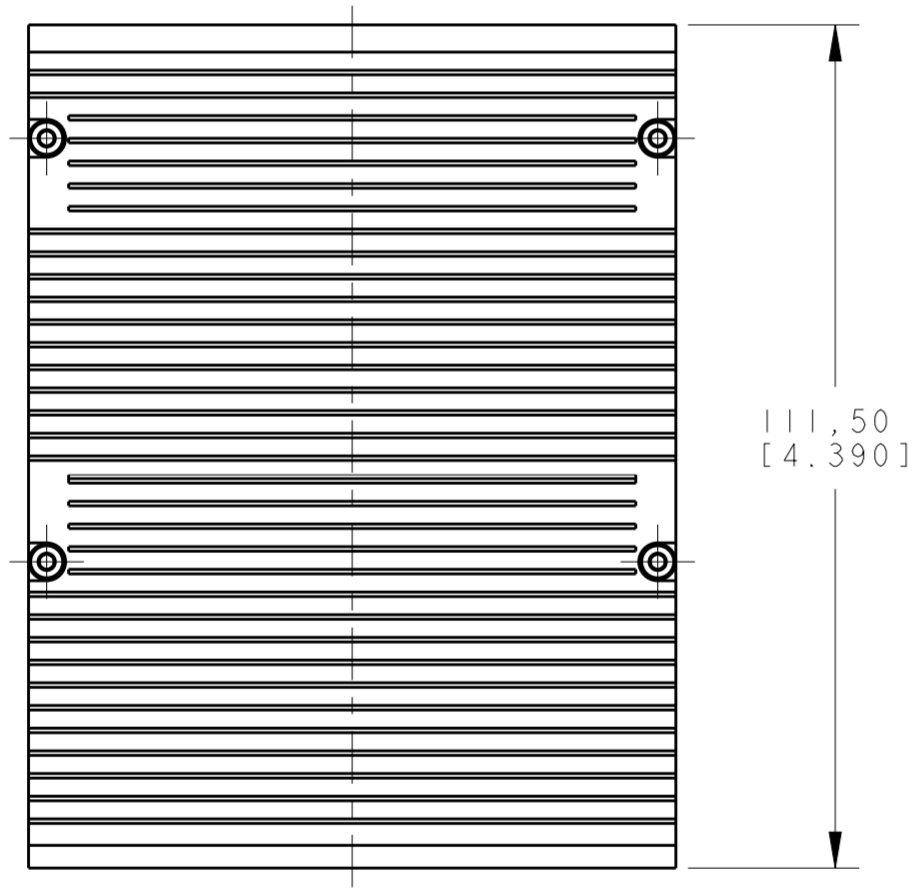
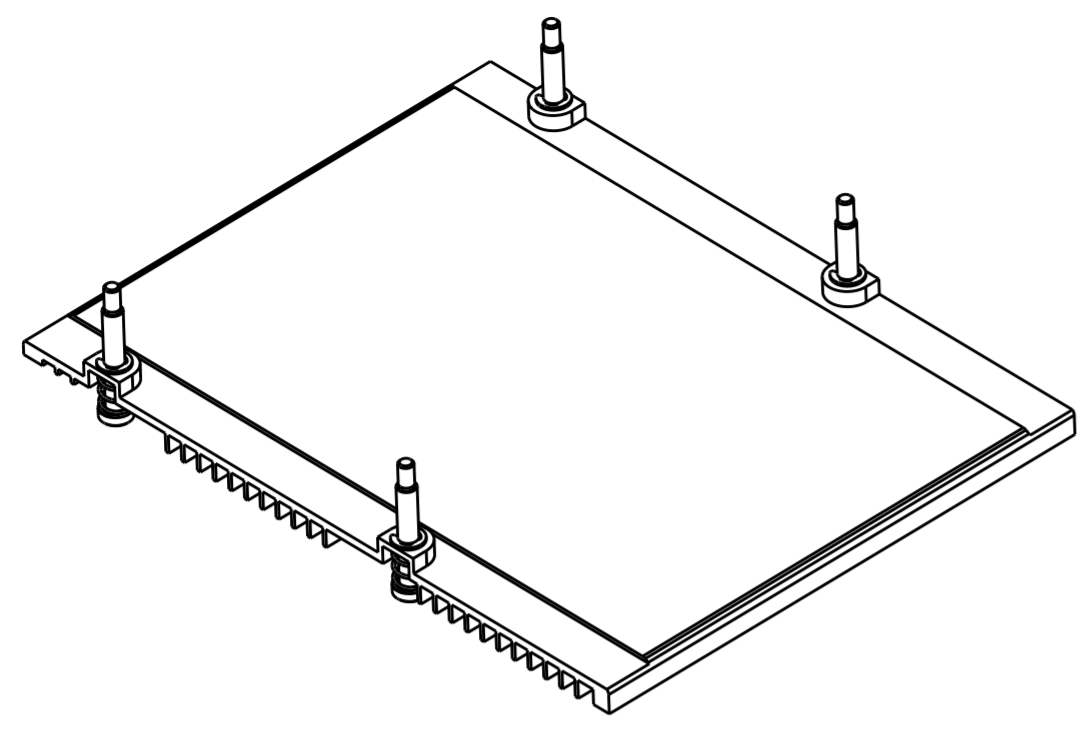
3

2


1

THIS DRAWING IS UNPUBLISHED. RELEASED FOR PUBLICATION 20
 © COPYRIGHT 20 BY - ALL RIGHTS RESERVED.

LOC		DIST		REVISIONS			
P	LTR	DESCRIPTION	DATE	DWN	APVD		
-	-	SEE SHEET 1	-	-	-		



2274283-5 AS SHOWN
 UNSPECIFIED DIMENSIONS REFER 2274283-1

THIS DRAWING IS A CONTROLLED DOCUMENT.		DWN C. VALENTINE 17SEP2013	 TE Connectivity	
DIMENSIONS: mm		CHK M. SCHMITT 17SEP2013		
TOLERANCES UNLESS OTHERWISE SPECIFIED:		APVD M. SCHMITT 17SEP2013	NAME HEAT SINK ASSEMBLY 100 GIG PLUGGABLE	
0 PLC ±	1 PLC ±0.5	PRODUCT SPEC	SIZE	CAGE CODE
2 PLC ±0.25	3 PLC ±0.125	APPLICATION SPEC	A200779	C-2274283
4 PLC ±0.0001	ANGLES ±1°	WEIGHT	SCALE	SHEET
MATERIAL	FINISH	CUSTOMER DRAWING	1.000	3 OF 3
material_2	finish_spec_2			REV C

X-ON Electronics

Largest Supplier of Electrical and Electronic Components

Click to view similar products for [Heat Sinks](#) category:

Click to view products by [TE Connectivity](#) manufacturer:

Other Similar products are found below :

[581102B00000G](#) [630-35ABT3](#) [656-15ABPE](#) [657-20ABPNE](#) [73452PPBA](#) [7721-13NG](#) [7G0011A](#) [FI306/SE](#) [PF720G](#) [A22-4026](#) [120-1873-007](#) [HAH10L](#) [1542256-2](#) [1542026-1](#) [1542616-1](#) [HS-2506-F1](#) [HS-87M0-F2](#) [218-40CTE3](#) [25-7520](#) [188854F00000G](#) [F-QB-F1](#) [APA501-60-003](#) [253-122ABE-22](#) [PSC22CB](#) [CLP-201](#) [CLP212SG](#) [CLP-7701G](#) [HAA072](#) [HAA083](#) [HAF10L](#) [HAQ10T](#) [D10100-28](#) [TO5-002D](#) [513101B02500G](#) [BDN183CBA01](#) [531202B0000](#) [HS-56M0-C1](#) [3-21053-4](#) [TX0506-1B](#) [TX1806B](#) [336614B-00000](#) [V2004X](#) [LAE66A3CB](#) [WA-DT2-101E](#) [511-3U](#) [017177](#) [530510B00000G](#) [6110BG](#) [73381PPBA](#) [73403PPBA](#)