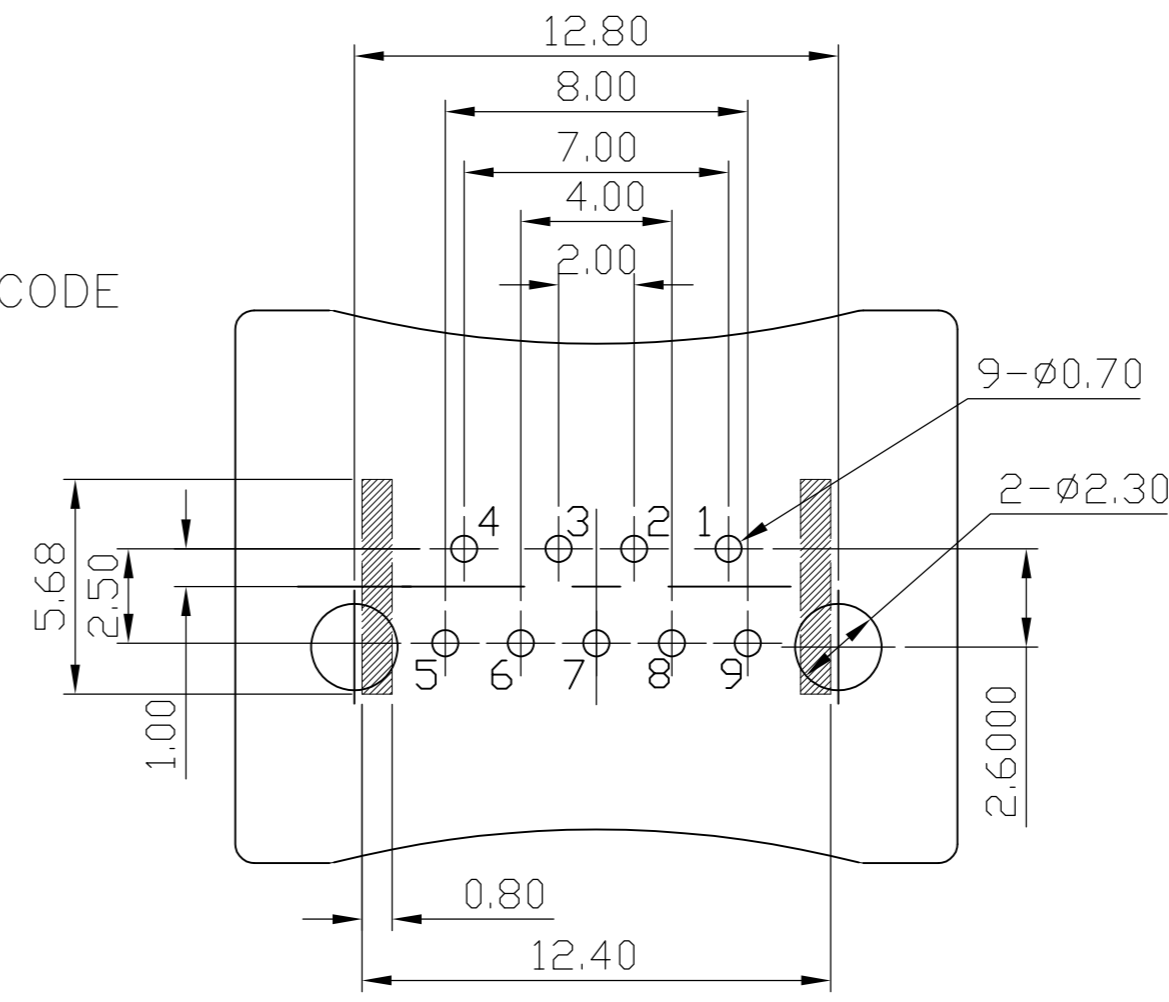
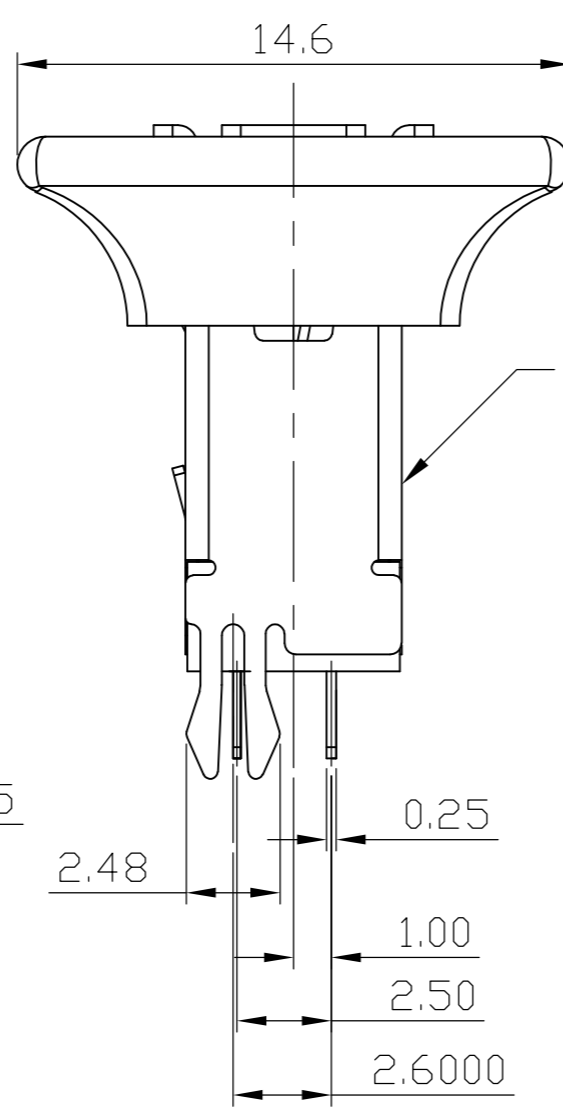
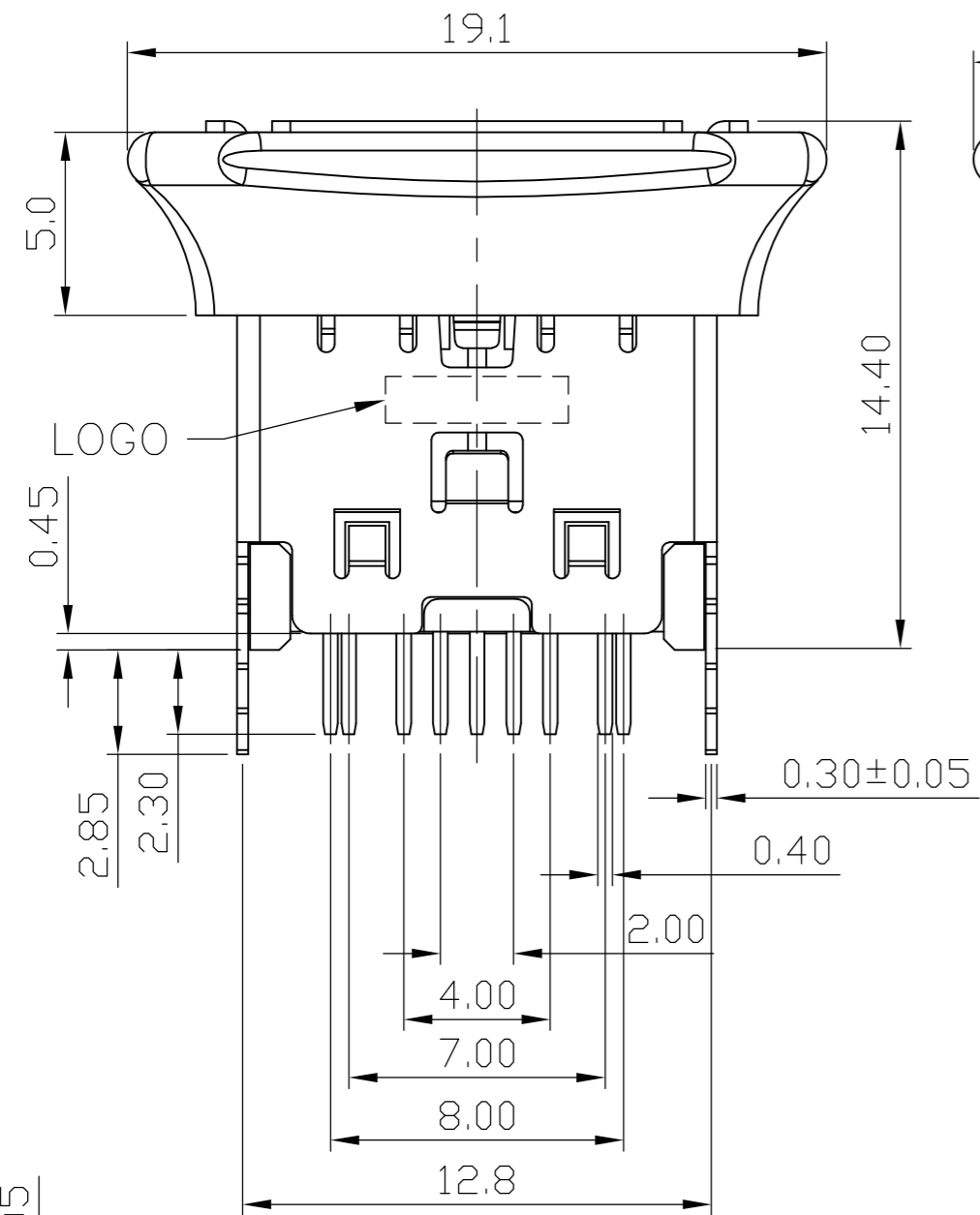
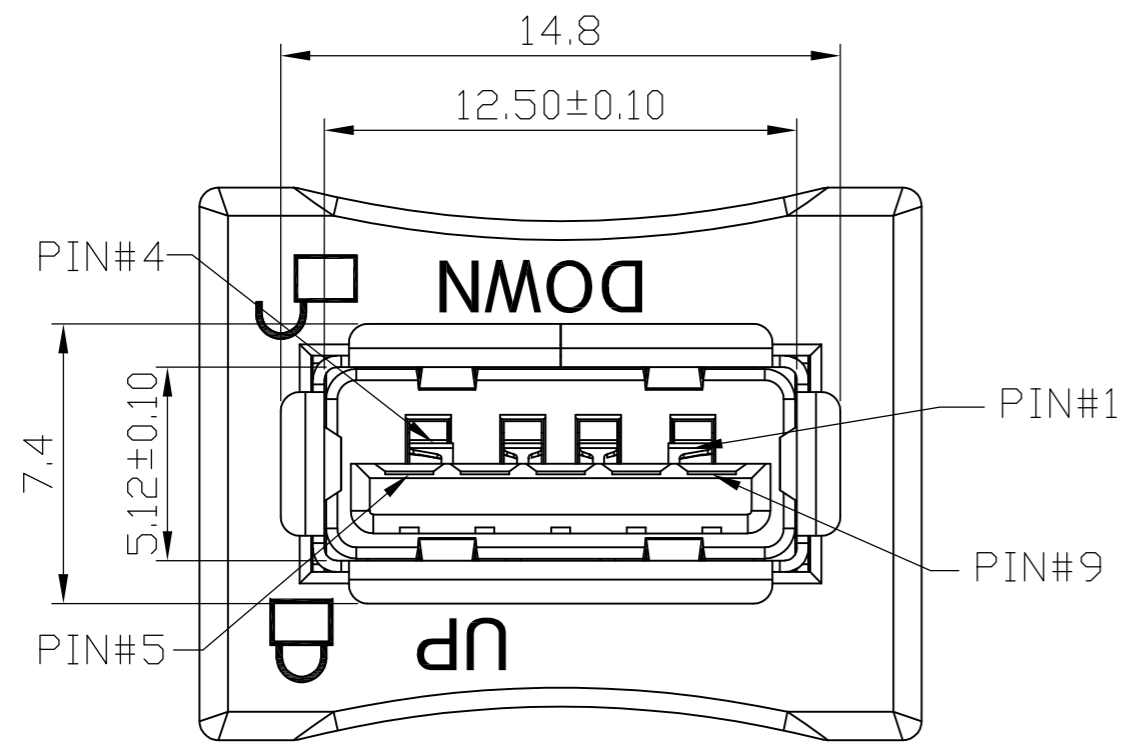


THIS DRAWING IS UNPUBLISHED. RELEASED FOR PUBLICATION
 © COPYRIGHT - By - ALL RIGHTS RESERVED.

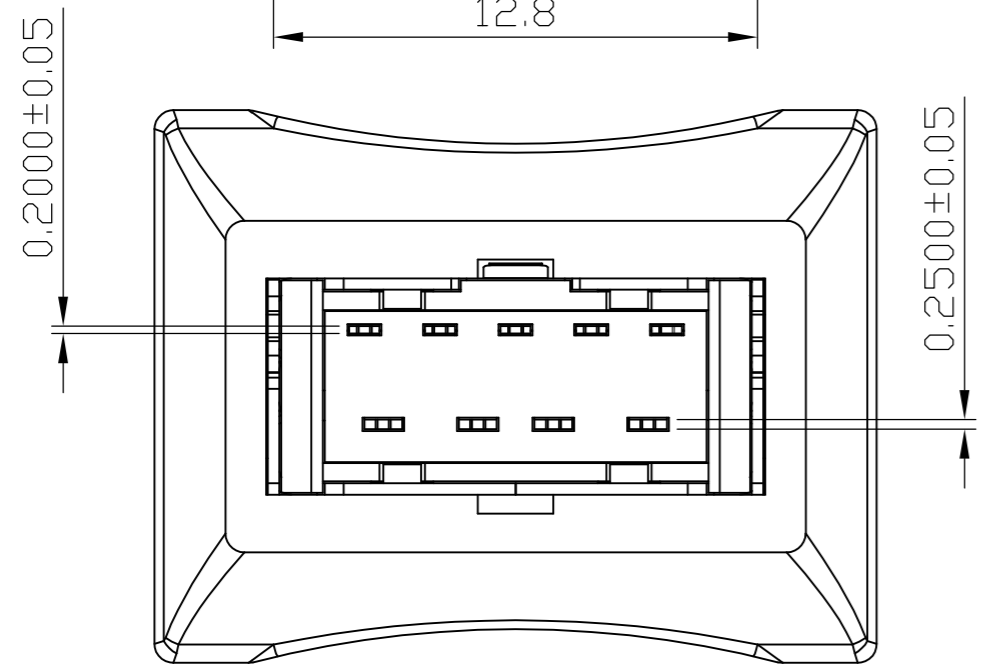
REVISIONS				
P	LTR	DESCRIPTION	DATE	APVD
B		REVISED PER ECO-16-002745	29FEB2016	EB



RECOMMENDED P.C.B LAYOUT
 TOLERANCE: ±0.05(TOP VIEWS)

- MATERIAL:
 HOUSING AND ORGANIZER: THERMOPLASTIC, UL94V-0, COLOR: BLUE.
 CAP: THERMOPLASTIC, UL94V-0, COLOR: BLUE
 CONTACTS 1-4: PHOSPHOR BRONZE.
 CONTACTS 5-9: BRASS.
 SHELL: TOOL STEEL.
- FINISH:
 CONTACTS: GOLD PLATE (SEE TABLE) ON CONTACT AREA.
 2.54µm MIN MATTE TIN PLATED ON SOLDER TAIL,
 1.27µm MIN NICKEL UNDERPLATE OVERALL.
 SHELL: 1.27µm MIN NICKEL PLATED.
- WAVE SOLDER CAPABLE TO 265°C, PER TE SPEC 109-202, CONDITION B.
- RECOMENDED PCB THICKNESS 1.6.

Pin Number	Signal Name
1	VBUS
2	D-
3	D+
4	GND
5	SSRX-
6	SSRX+
7	GND_DRAIN
8	SSTX-
9	SSTX+
Shell	Shield



0.762µm	2274475-3
0.381µm	2274475-2
FLASH	2274475-1
GOLD PLATING	PART NUMBER

THIS DRAWING IS A CONTROLLED DOCUMENT.		DWN C. VALENTINE 18NOV2013	TE Connectivity		
DIMENSIONS: mm		CHK R. WERTZ 18NOV2013			
TOLERANCES UNLESS OTHERWISE SPECIFIED:		APVD R. WERTZ 18NOV2013	NAME USB 3.0 A TYPE, VERTICAL, WITH LOCK		
0 PLC ± - 1 PLC ± 0.30 2 PLC ± 0.20 3 PLC ± 0.15 4 PLC ± - ANGLES ± 2°		PRODUCT SPEC 108-32130	SIZE A2	CAGE CODE 00779	DRAWING NO C=2274475
MATERIAL		FINISH	WEIGHT	RESTRICTED TO	
			CUSTOMER DRAWING	SCALE 5:1	SHEET 1 of 1

X-ON Electronics

Largest Supplier of Electrical and Electronic Components

Click to view similar products for [USB Connectors](#) category:

Click to view products by [TE Connectivity](#) manufacturer:

Other Similar products are found below :

[65-647-8-BK-BU](#) [950](#) [952](#) [E8144-B01021-L](#) [A-USB B-TOP-C](#) [MUSBA511N5](#) [MUSBD11135](#) [217450-1](#) [CA 6 W LD](#) [KMBVX-TH-5S-B30](#)
[896-30-004-00-000000](#) [KUSBVX-BS1N-W30](#) [KUSBX-AP-KIT-SCBLK](#) [KUSBX-AS2N-W](#) [KUSBX-SMT2AP1S-W](#) [KUSBX-SMT2AP1S-](#)
[W30](#) [935](#) [957](#) [30-498-6](#) [17-210051](#) [1734082-1](#) [30-1574](#) [30-470](#) [30-489](#) [30-541](#) [30-572-3](#) [MAB 8 SN V](#) [A-USB A-2P-C](#) [MIKROE-1451](#)
[USBFTV2PEM2G](#) [USBFTVC6ZN](#) [KUSBX-AS2N-W30](#) [KUSBX-SLAS1N-W](#) [KUSBX-SMT-AS1N-W30](#) [4689-1](#) [1-1734084-2](#) [E8110-001-](#)
[01](#) [33UBARS1-04SW11](#) [33UBAR-04SW11](#) [USBF21ZNSCC](#) [USBBFTV6ZC](#) [MUSBB151341](#) [10135326-001LF](#) [M9177/3-1](#) [USB-A-S-F-B-](#)
[VT](#) [925](#) [4198](#) [690-024-633-031](#) [KUSBEX-BSFS1N-W](#) [USBFTVC6MRG](#)