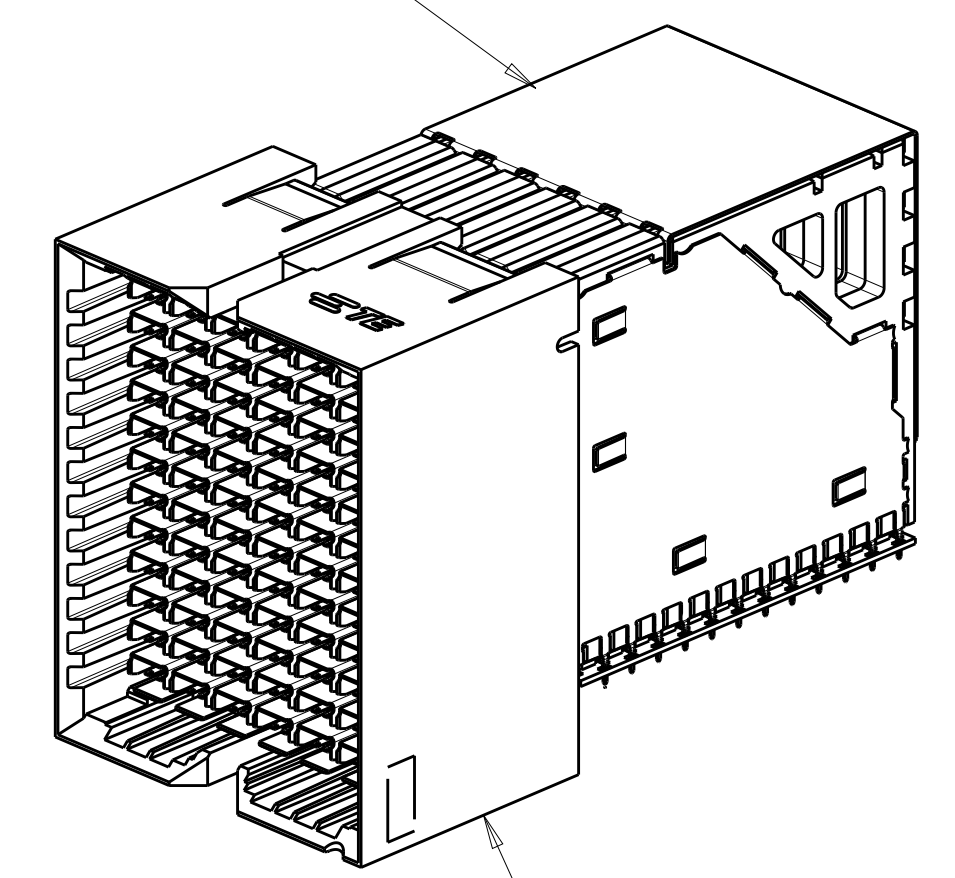


REVISIONS				
REV	LTN	DESCRIPTION	DATE	APPROVED
A		RELEASE TO PRODUCTION	21DEC2016	MH DS
A1		ECO-17-006000	02MAY2017	MH DS
B		REVISED PER ECO-19-005220	04APR2019	AP RP
C		REVISED PER ECO-19-011912	05AUG2019	AP RP

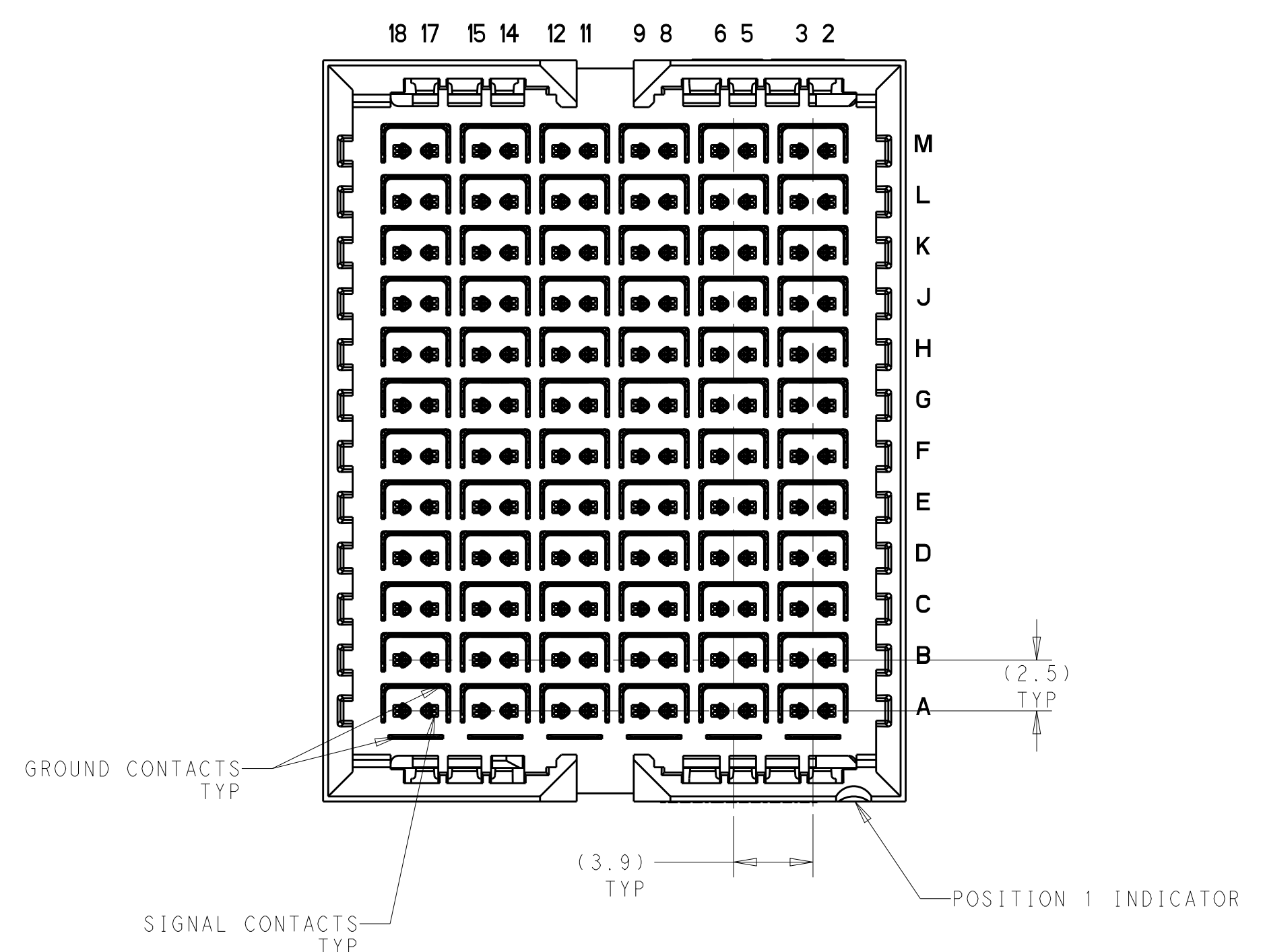
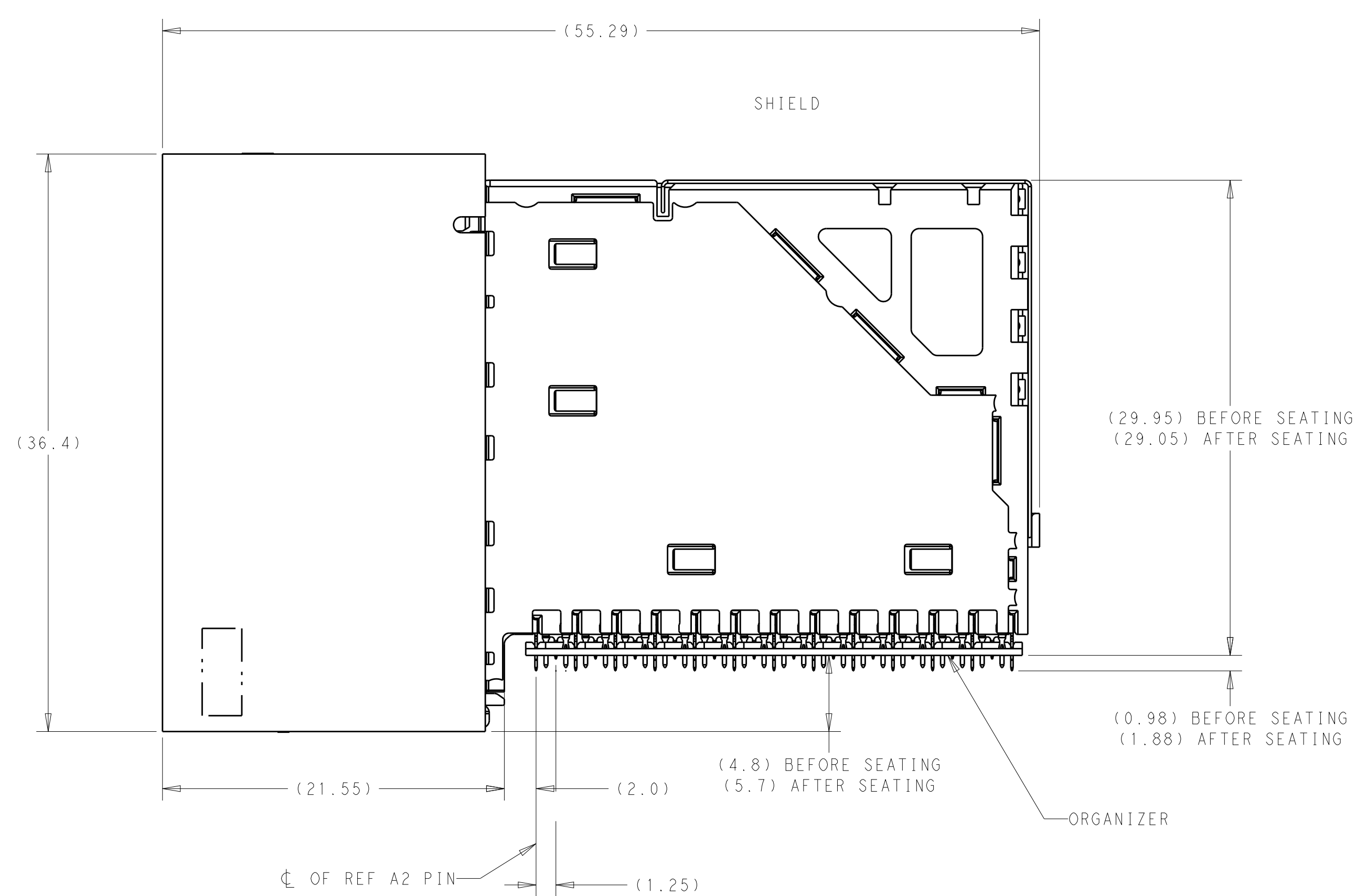
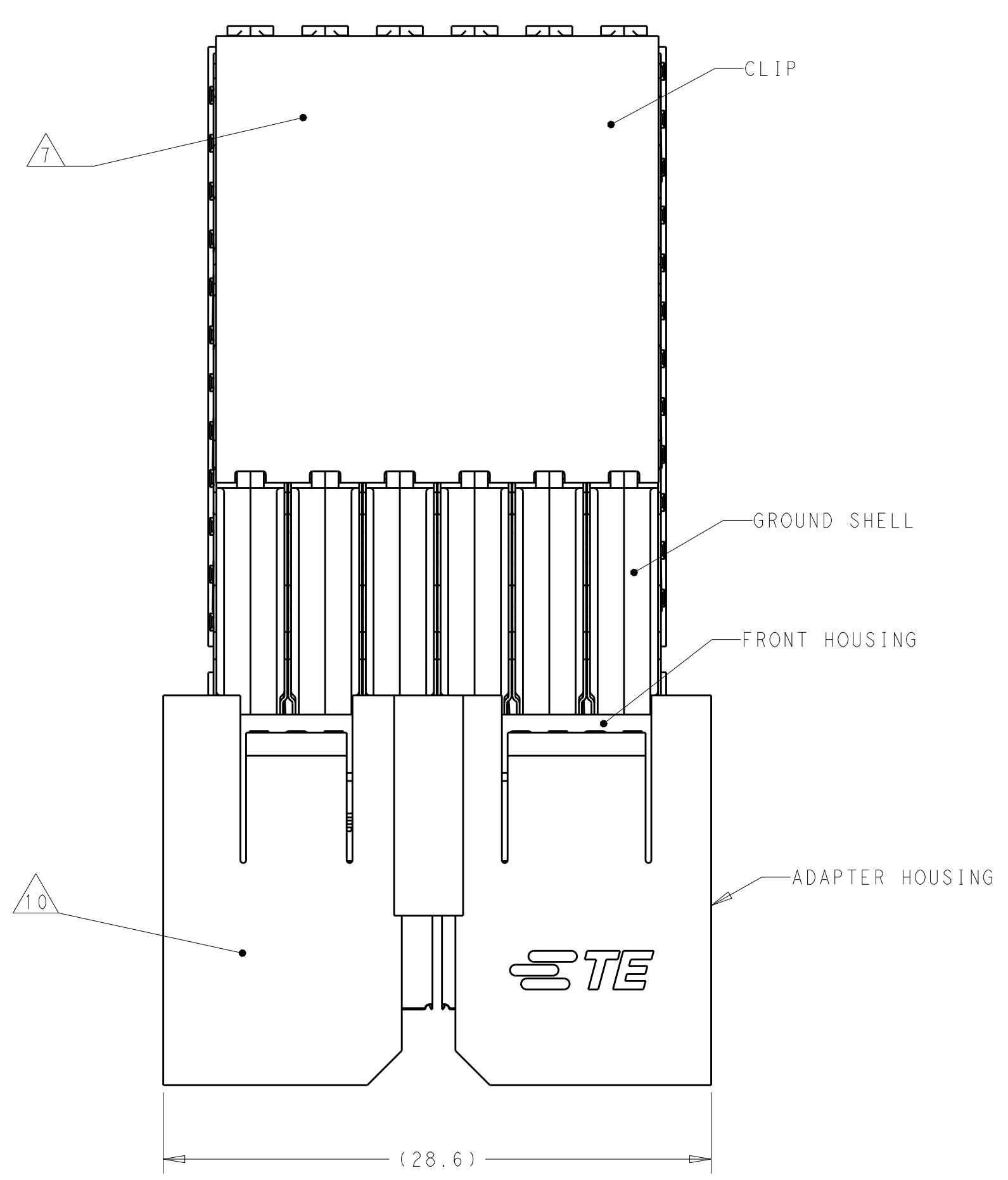
RECEPTACLE ASSEMBLY
2187680-1



ADAPTER ASSEMBLY
2274515-9

SCALE 2:1

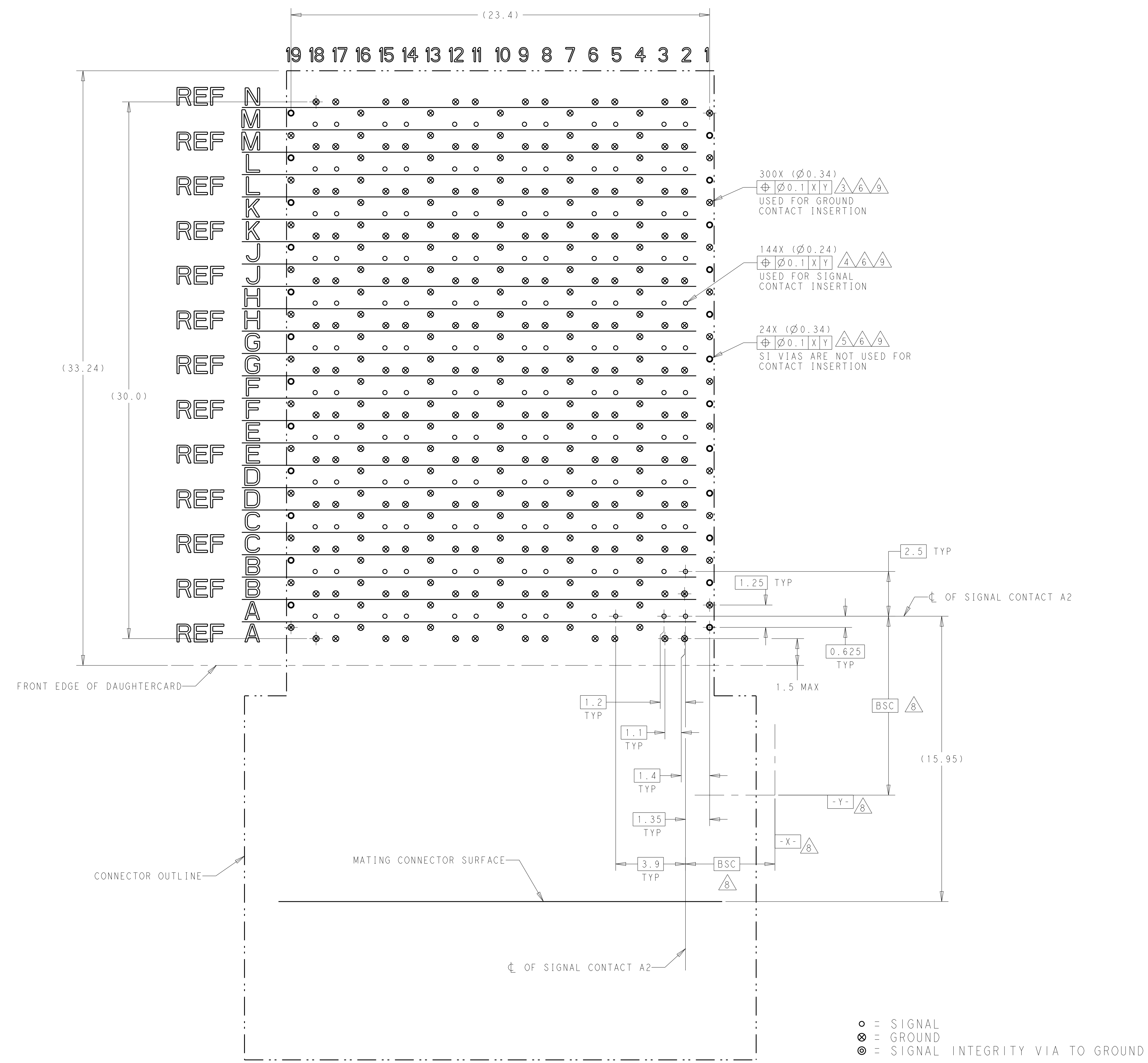
- 1 CONTACTS AND SHIELDS - COPPER ALLOY
CLIP - STAINLESS STEEL
HOUSINGS, GROUND SHELLS, AND ORGANIZER - THERMOPLASTIC, UL 94V-0, BLACK
- 2 CONFORMS TO THE REQUIREMENTS OF TE PRODUCT SPECIFICATION 108-32112
BASED ON TELCORDIA GR-1217-CORE FOR SYSTEM QUALITY LEVEL III,
APPLICATIONS IN CONTROLLED ENVIRONMENTS (CENTRAL OFFICE).
COMPLIANT PIN AREA: 0.5µm MIN MATTE TIN.
- 3 GROUND PLATED THRU HOLE REQUIREMENTS:
FINISHED HOLE = $\varnothing 0.34 \pm 0.05$
HOLE SIZE PRIOR TO PLATING = $\varnothing 0.420 \pm 0.025$
COPPER THICKNESS = 0.025 MIN
IMMERSION TIN IF APPLICABLE = (0.00095)
- 4 SIGNAL PLATED THRU HOLE REQUIREMENTS:
FINISHED HOLE = $\varnothing 0.24 \pm 0.04$
HOLE SIZE PRIOR TO PLATING = $\varnothing 0.320 \pm 0.025$
COPPER THICKNESS = 0.025 MIN
IMMERSION TIN IF APPLICABLE = (0.00095)
- 5 SI VIA PLATED THRU HOLE REQUIREMENTS:
FINISHED HOLE = $\varnothing 0.34 \pm 0.05$
HOLE SIZE PRIOR TO PLATING = $\varnothing 0.420 \pm 0.025$
COPPER THICKNESS = 0.025 MIN
IMMERSION TIN IF APPLICABLE = (0.00095)
- 6 SI VIAS & SIGNAL HOLES:
PTH DIMENSIONS APPLY TO THE TOP 1.00mm OF THE PCB THICKNESS FROM THE
CONNECTOR MOUNTING SIDE.
GROUND HOLES:
PTH DIMENSIONS APPLY TO THE TOP 1.25mm OF THE PCB THICKNESS FROM THE
CONNECTOR MOUNTING SIDE.
- 7 CONNECTOR MARKED WITH PART NUMBER, DATE CODE, AND "100 OHM" IN
APPROXIMATE AREA SHOWN.
- 8 DATUMS AND BASIC DIMENSIONS ESTABLISHED BY CUSTOMER
- 9 APPLIES TO FINISHED HOLE DIAMETER.
- 10 CONNECTOR MARKED WITH ASSEMBLY PART NUMBER, DATE CODE, AND "100 OHM"
IN APPROXIMATE AREA SHOWN.



2274518-1
PART NUMBER

THIS DRAWING IS A CONTROLLED DOCUMENT.		OWN: M. SHIRK 07APR2014	 TE Connectivity
DIMENSIONS: mm		CHK: J. McCLELLAN 07APR2014	
TOLERANCES UNLESS OTHERWISE SPECIFIED:		APVD: J. McCLELLAN 07APR2014	NAME: RIGHT ANGLE ADAPTER ASSEMBLY, 12 PAIR 6 COLUMN, 100 OHM DPO, STRADA WHISPER
0 PLC ±0.25		PRODUCT SPEC: 2	
1 PLC ±0.13		APPLICATION SPEC:	SIZE: 114-32120 CAGE CODE: - DRAWING NO: C=2274518
2 PLC ±0.13		WEIGHT: -	
3 PLC ±0.13		FINISH: 2	CUSTOMER DRAWING SCALE: 4:1 SHEET 1 OF 2 REV C
4 PLC ±0.13		ANGLES: ±	
MATERIAL: 1			

REVISIONS				
P.	LTN	DESCRIPTION	DATE	APVD
-	-	SEE SHEET 1	-	-



RECOMMENDED PCB LAYOUT
 SINGLE CONNECTOR (NON-STACKING)
 COMPONENT SIDE SHOWN
 SCALE 8:1

- = SIGNAL
- ⊗ = GROUND
- ⊙ = SIGNAL INTEGRITY VIA TO GROUND

THIS DRAWING IS A CONTROLLED DOCUMENT.		DWN M. SHIRK 07APR2014 CHK J. McCLELLAN 07APR2014 APVD J. McCLELLAN 07APR2014	TE Connectivity
DIMENSIONS: mm TOLERANCES UNLESS OTHERWISE SPECIFIED: 0 PLC ± 1 PLC ±0.25 2 PLC ±0.13 3 PLC ± 4 PLC ± ANGLES ±		NAME RIGHT ANGLE ADAPTER ASSEMBLY, 12 PAIR 6 COLUMN, 100 OHM DPO, STRADA WHISPER PRODUCT SPEC APPLICATION SPEC SIZE A1 CAGE CODE DRAWING NO. 114-32120 WEIGHT CUSTOMER DRAWING	

X-ON Electronics

Largest Supplier of Electrical and Electronic Components

Click to view similar products for [High Speed/Modular Connectors](#) category:

Click to view products by [TE Connectivity](#) manufacturer:

Other Similar products are found below :

[650827-1](#) [74040-1346](#) [1410191-1](#) [1410368-3](#) [1410964-2](#) [1410326-3](#) [1410367-3](#) [1410971-4](#) [1467833-1](#) [2000877-1](#) [2000878-1](#) [2041314-1](#)
[2065387-1](#) [2187307-1](#) [163P](#) [1934290-1](#) [2000875-1](#) [2065917-1](#) [2102736-2](#) [FSR-40](#) [2169868-2](#) [22354-8](#) [437-5040-000](#) [5-1393565-0](#) [039-](#)
[0246-000](#) [0761601016](#) [0784461022](#) [10123159-12ELF](#) [030-2415-003/100 PK](#) [030-7380-004](#) [030-2494-001](#) [532939-1](#) [5532901-3](#) [3-1469268-](#)
[7](#) [74748-102LF](#) [10041743-101LF](#) [10066670-100002LF](#) [1-533915-1](#) [249-4515-000](#) [7-1469373-3](#) [DL2-2J/S](#) [2000713-8](#) [2000713-7](#)
[10124313-101LF](#) [3011-21](#) [757105208](#) [EBTF-4-10-2.0-S-RA-1](#) [430305-001](#) [4395800100](#) [8140115](#)