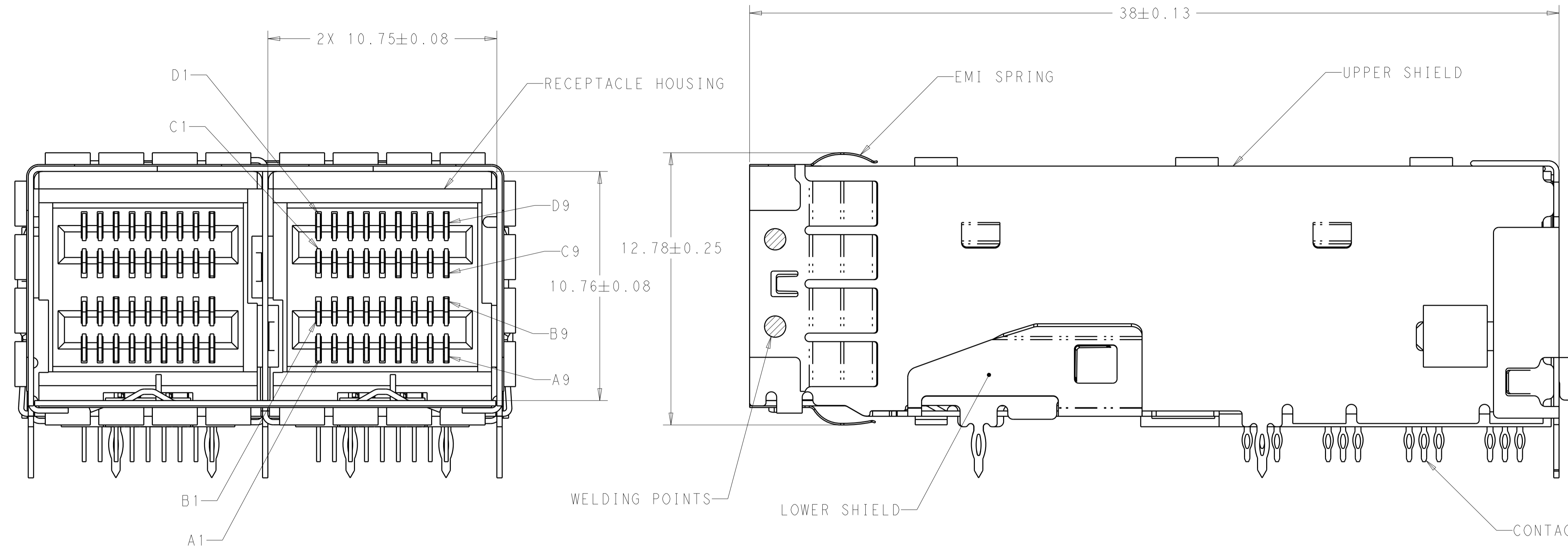
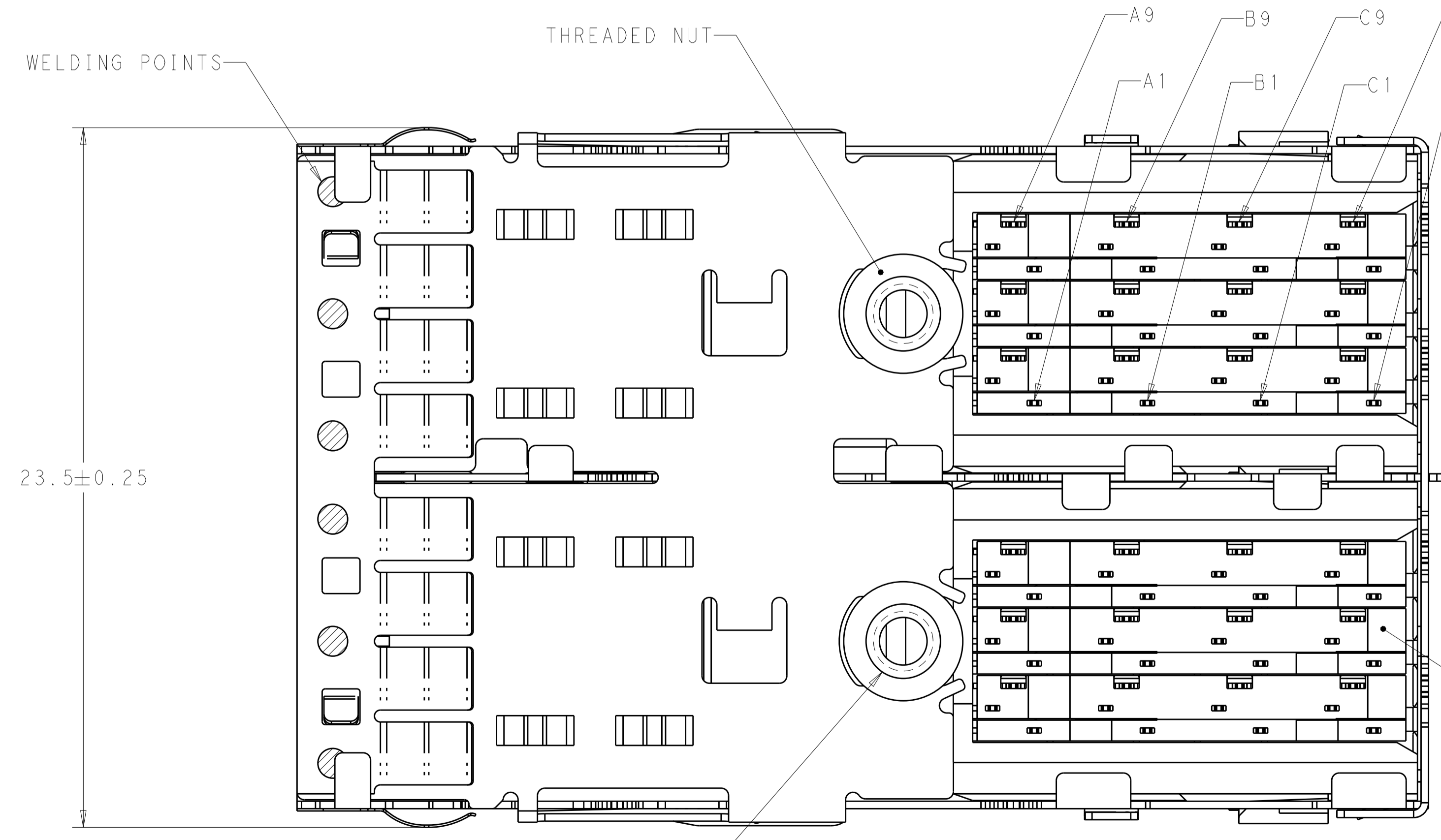


LOC		DIST		REVISIONS			
P	LTN	DESCRIPTION	DATE	DMN	APVD		
A		INITIAL RELEASE	18FEB2014	BM	DG		
B		REVISED PER ECO-16-006997	09MAY2016	JY	SH		



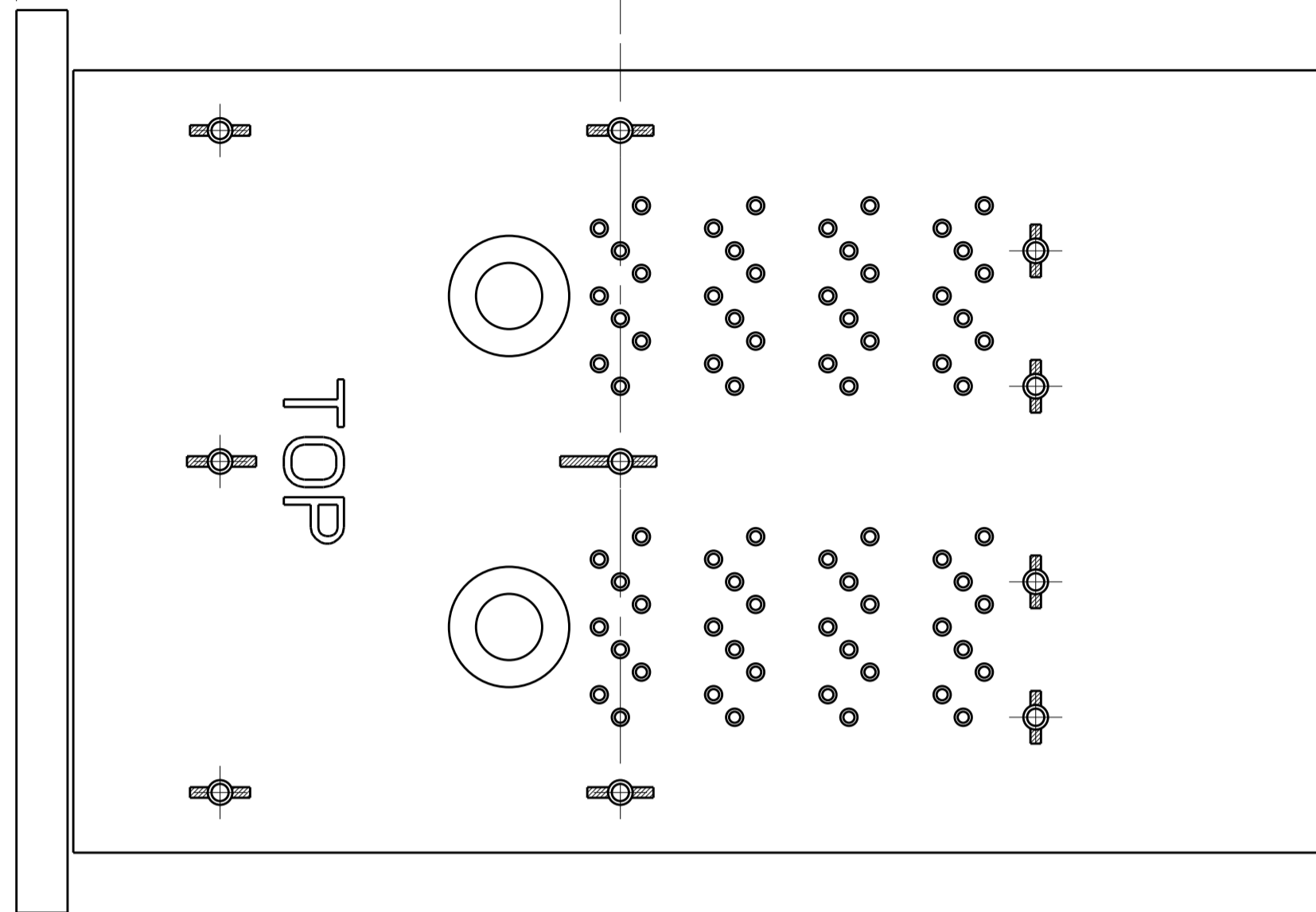
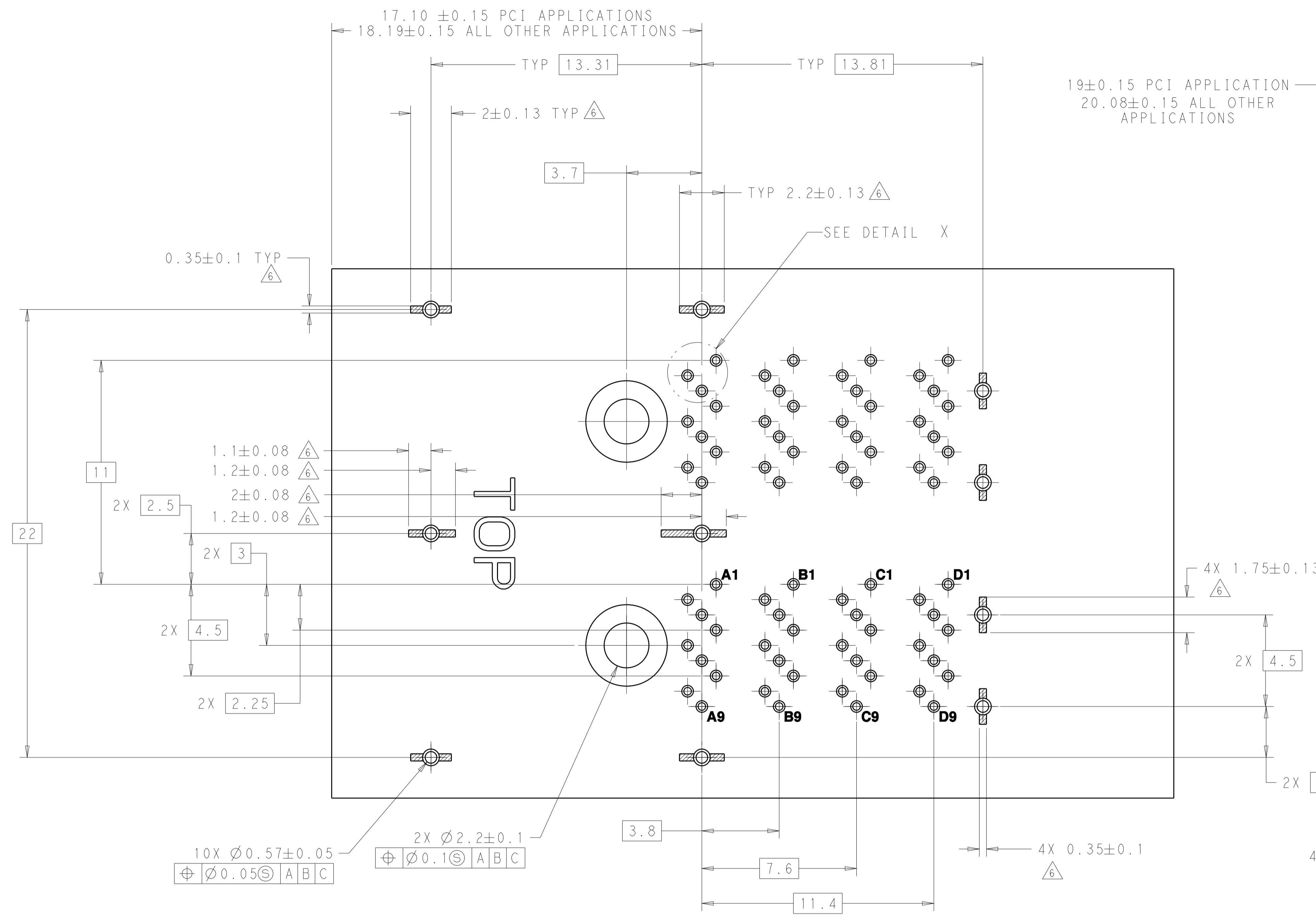
1. MATERIALS  
 RECEPTACLE HOUSING, LCP, BLACK, UL94V-0 RATED  
 SHIELD ASSY: NICKEL SILVER COPPER ALLOY  
 CONTACTS: COPPER ALLOY  
 EMI SPRING: COPPER ALLOY  
 THREADED NUT: BRASS  
 CHICKLETS: LCP, BLACK, UL 94V-0 RATED
2. FINISH  
 EMI SPRING: TIN PLATE OVER NICKEL PLATE  
 NON-PLATED EDGES PERMISSABLE  
 THREADED NUT: NICKEL PLATE
3. CONTACT FINISH: 0.76µm MIN GOLD IN CONTACT AREA, 1.25µm MIN TIN ON PCB TAILS. ALL OVER 1.27µm NICKEL UNDERPLATE.
4. THREAD LENGTH OF FASTENER = PCB THICKNESS + 1.45 MAX
5. THIS PRODUCT HAS NOT COMPLETED VALIDATION/QUALIFICATION TESTING
6. RECOMMENDED TRACE KEEP OUT ZONE



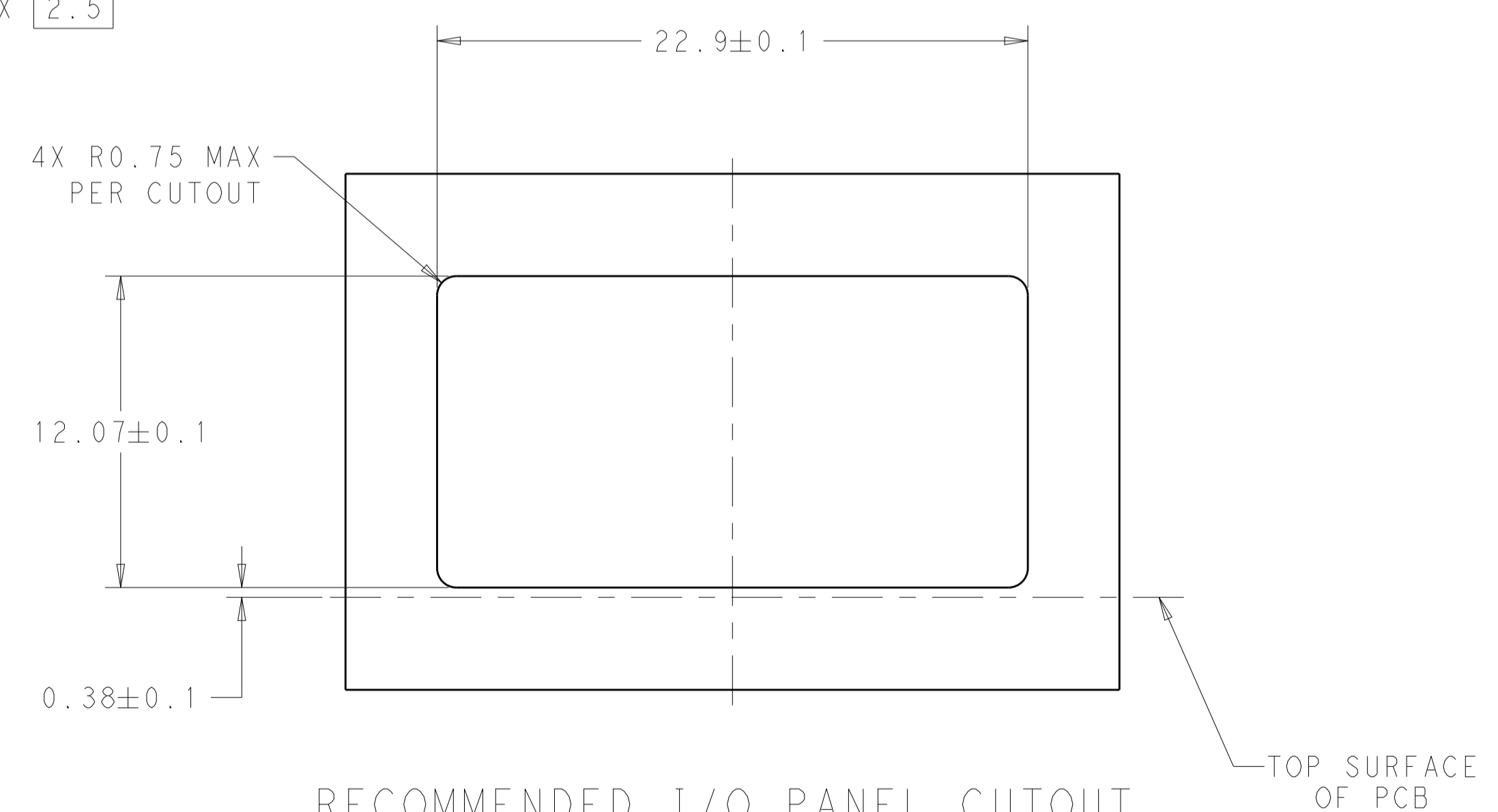
2274682-1  
 PART NUMBER

THIS DRAWING IS A CONTROLLED DOCUMENT.		DMN B. MATTHEWS 18FEB2014	TE Connectivity
DIMENSIONS: mm		CHK D. GORENC 18FEB2014	
TOLERANCES UNLESS OTHERWISE SPECIFIED:		APVD D. GORENC 18FEB2014	NAME RECEPTACLE ASSEMBLY, MINI-SAS HD, 2X
0 PLC ±		PRODUCT SPEC 108-2462	SIZE CAGE CODE DRAWING NO. RESTRICTED TO
1 PLC ±		APPLICATION SPEC 114-13316	A100779C=2274682
2 PLC ±		WEIGHT	SCALE 8:1 SHEET 1 OF 2 REV B
3 PLC ±		MATERIAL	Customer Drawing
4 PLC ±		FINISH	
ANGLES ±			

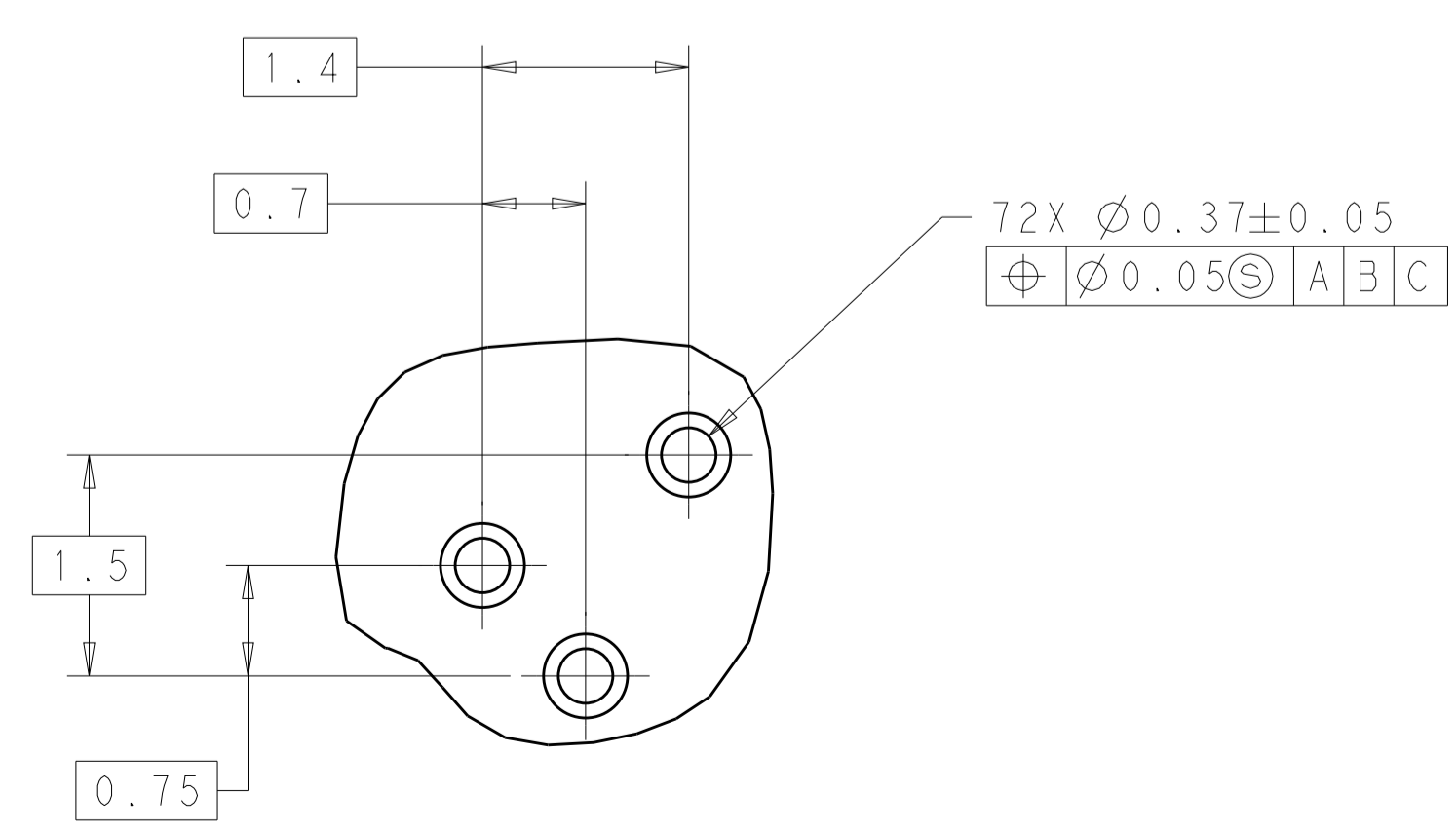
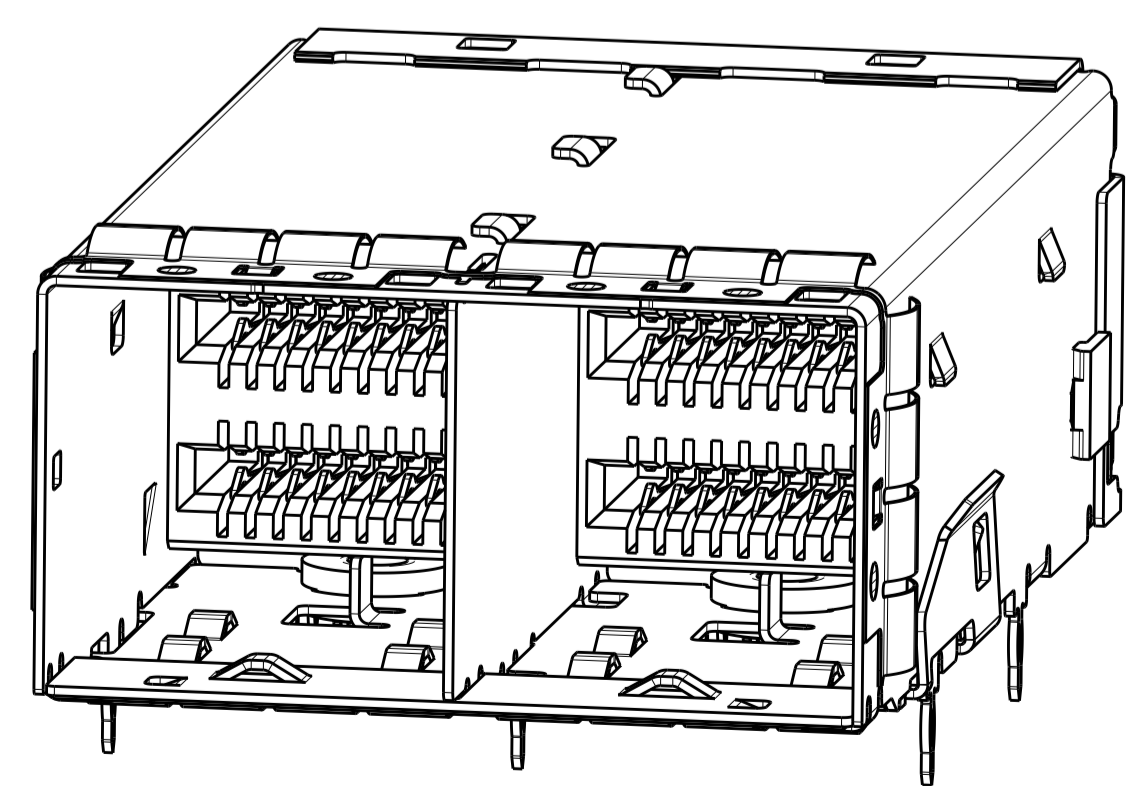
LOC	DIST	REVISIONS			
P	LTN	DESCRIPTION	DATE	OWN	APVD
-	-	SEE SHEET 1	-	-	-



PANEL/PCB ASSEMBLY  
SCALE=5:1



RECOMMENDED I/O PANEL CUTOUT  
SCALE=5:1



DETAIL X  
SCALE 20:1

THIS DRAWING IS A CONTROLLED DOCUMENT.		OWN B. MATTHEWS 18FEB2014	TE Connectivity
DIMENSIONS:		CHK D. GORENC 18FEB2014	
mm	TOLERANCES UNLESS OTHERWISE SPECIFIED:	APVD D. GORENC 18FEB2014	NAME
Ø	0 PLC ±	PRODUCT SPEC	RECEPTACLE ASSEMBLY, MINI-SAS HD, 2X
	1 PLC ±	108-2462	SIZE
	2 PLC ±	APPLICATION SPEC	114-13316
	3 PLC ±	ANGLES	WEIGHT
	4 PLC ±	FINISH	Customer Drawing
MATERIAL			SCALE 8:1
			SHEET 2 OF 2
			REV B

## X-ON Electronics

Largest Supplier of Electrical and Electronic Components

*Click to view similar products for [I/O Connectors](#) category:*

*Click to view products by [TE Connectivity](#) manufacturer:*

Other Similar products are found below :

[571763P](#) [72.250.1628.2](#) [72.250.2428.2](#) [74720-0505](#) [76.350.0729.0](#) [76871-1403](#) [FCN-244F080-G/1](#) [FCN-260A9920](#) [MP-5T180MUNNA-005](#)  
[PCR-E36PM](#) [PCS-XE26MA+](#) [G38A71314B](#) [1571250010](#) [157-22500-3](#) [MS3471L14-19P L/C](#) [91-569786-35H](#) [172501-4002](#) [172501-6002](#)  
[FCN-260C008-A/L0](#) [FCN-260C024-AL0](#) [FCN-261Z008](#) [2000314-1](#) [200331-1](#) [PCR-E36FC+](#) [PCS-E28FS+](#) [PCS-XE26SLFD+](#) [PCS-](#)  
[XE26SLFDT+](#) [G730VID08BDC24](#) [U90B2054081210](#) [UE86K842720321](#) [38113800006](#) [DP3AR020WQ1R200](#) [Z4.102.0680.0](#) [500-1040](#)  
[500-1052](#) [500-1054](#) [ZP-4008-66L](#) [0709821002](#) [10-565995-597N](#) [DX40-20P\(55\)](#) [5554841-1](#) [MS3474W18-8P-LC\\*](#) [U90B3054061110](#) [U65-](#)  
[E04-4020](#) [ZPF000000000097891](#) [557-262M2-06C](#) [747360449](#) [10099439-003C-TRLF](#) [10137239-0021LF](#) [E9320-001-01](#)