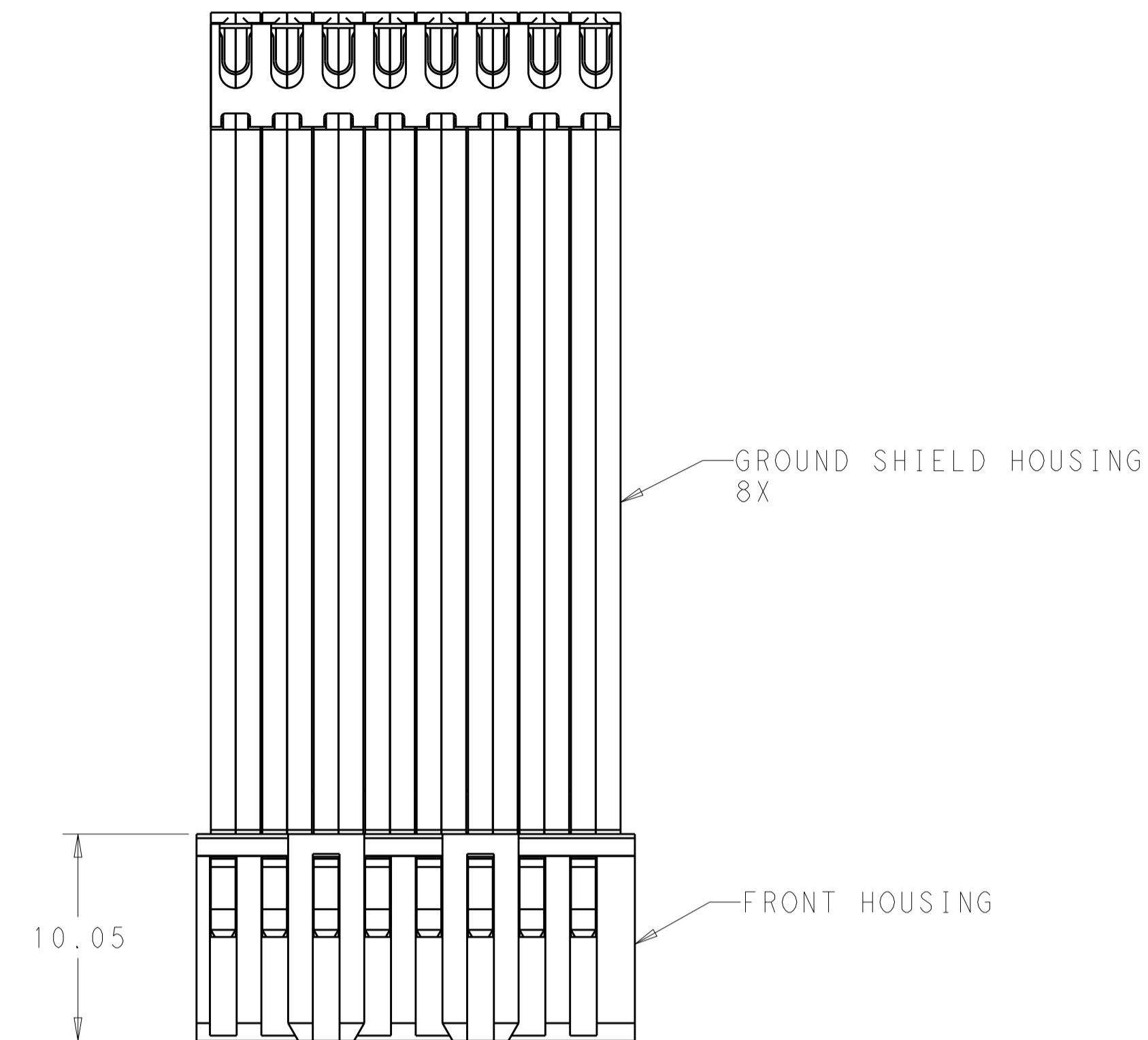
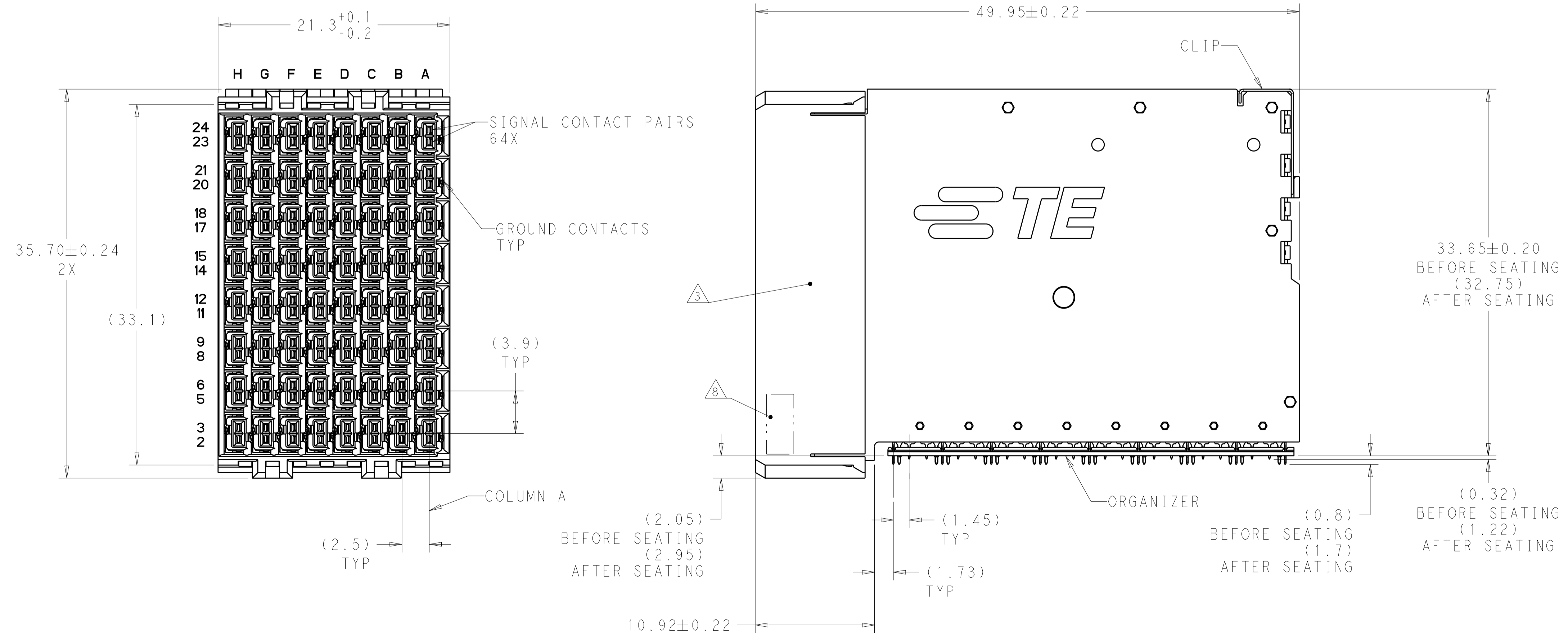


LOC	DIST	REVISIONS			
P	LTN	DESCRIPTION	DATE	DWN	APVD
A		RELEASED	09MAY2016	Y. K	D. T
B		REVISED PER ECR-16-017113	08DEC2016	JM	DT
C		REVISED PER ECR-17-014334	05OCT2017	JM	DT



- 1 CONTACTS - COPPER ALLOY. CLIP - STAINLESS STEEL. HOUSING AND ORGANIZER - THERMOPLASTIC, UL94 V-0, BLACK.
- 2 CONFORMS TO REQUIREMENTS OF TE PRODUCT SPECIFICATION 108-32112, BASED ON TELCORDIA GR-1217-CORE FOR SYSTEM QUALITY LEVEL III APPLICATIONS IN CONTROLLED ENVIRONMENTS (CENTRAL OFFICE).
- 3 CONNECTOR MARKED ON EITHER SIDE OF HOUSING WITH PART NUMBER, DATE CODE, AND '85 OHM' IN APPROXIMATE AREA SHOWN.
- 4 PLATED THRU HOLE REQUIREMENTS:
 FINISHED HOLE = $\varnothing 0.360 \pm 0.050$
 DRILLED HOLE = $\varnothing 0.450 \pm 0.025$
 COPPER THICKNESS = 0.025 MINIMUM
 IMMERSION TIN IF APPLICABLE = 0.0006-0.0011
- 5 PLATED THRU HOLE REQUIREMENTS:
 FINISHED HOLE = $\varnothing 0.270 \pm 0.050$
 DRILLED HOLE = $\varnothing 0.370 \pm 0.025$
 COPPER THICKNESS = 0.025 MINIMUM
 IMMERSION TIN IF APPLICABLE = 0.0006-0.0011
- 6 SIGNAL HOLES:
 PLATED THRU HOLE DIMENSIONS APPLY TO THE TOP 1.00 OF THE PCB THICKNESS FROM THE CONNECTOR MOUNTING SIDE.
 GROUND HOLES:
 PLATED THRU HOLE DIMENSIONS APPLY TO THE TOP 1.25 OF THE PCB THICKNESS FROM THE CONNECTOR MOUNTING SIDE.
- 7 DATUMS AND BASIC DIMENSIONS ESTABLISHED BY CUSTOMER.
- 8 DATAMATRIX BARCODE MARKING IN THIS AREA.

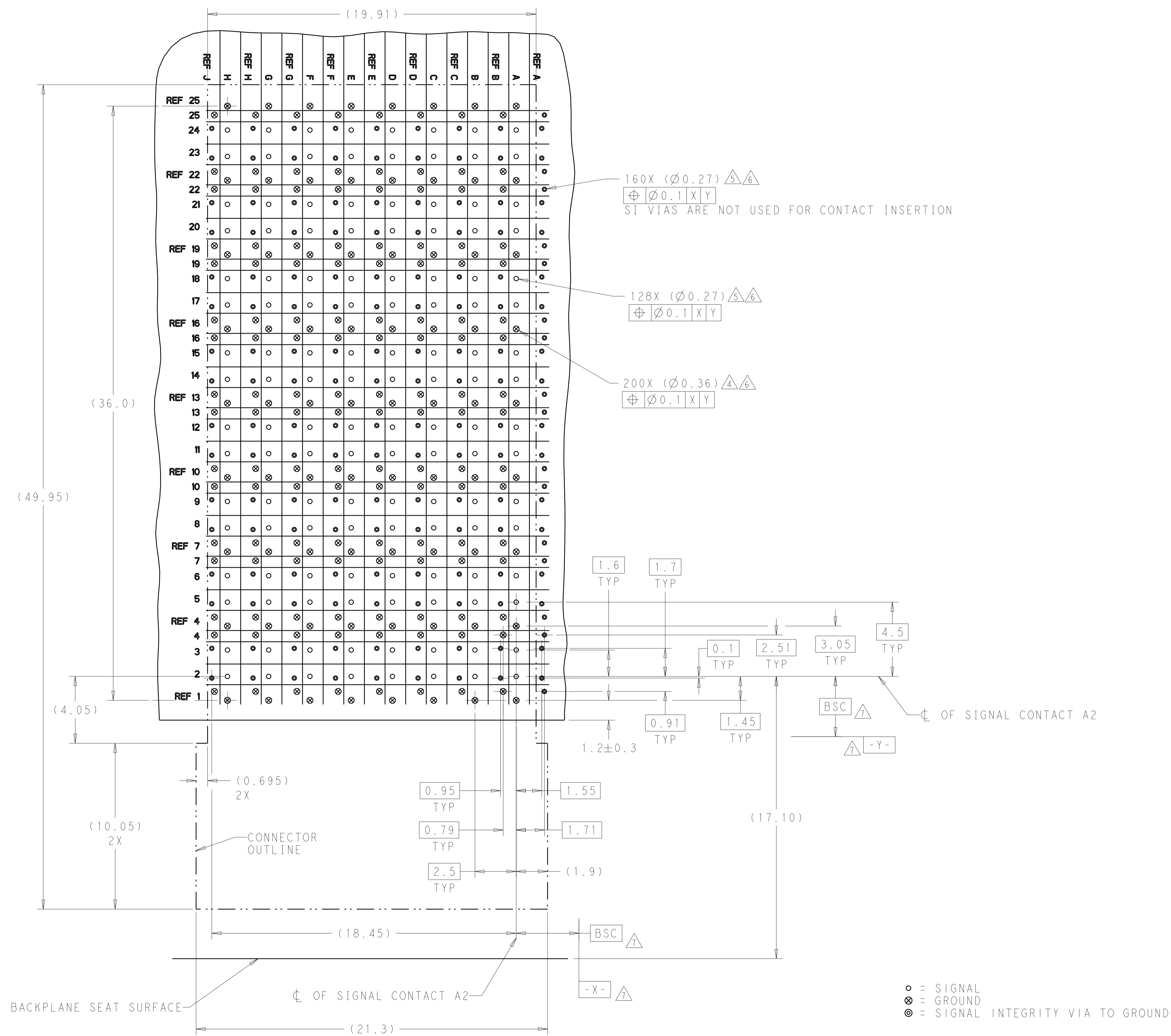


TIN	2274730-1
PRESS FIT TAIL PLATING	PART NO

THIS DRAWING IS A CONTROLLED DOCUMENT.

DIMENSIONS:	TOLERANCES UNLESS OTHERWISE SPECIFIED:	DWN	Y. KODAIRA	09MAY2016
mm	0 PLC ±	CHK	D. TROUT	09MAY2016
	1 PLC ±0.12	APVD	D. TROUT	09MAY2016
	2 PLC ±	NAME	RECEPTACLE ASSEMBLY, RIGHT ANGLE, 8 PAIR 8 COLUMN, 85 OHM PiC, STRADA WHISPER	
	3 PLC ±	PRODUCT SPEC	APPLICATION SPEC	
	4 PLC ±	SIZE	CAGE CODE	DRAWING NO
	ANGLES ±	WEIGHT	A100779	C=2274730
MATERIAL	FINISH SEE TABLE	CUSTOMER DRAWING	SCALE	4:1
			SHEET	1 OF 2
			REV	C

LOC		DIST		REVISIONS			
GP	00	P	LTN	DESCRIPTION	DATE	DWN	APVD
		-		SEE SHEET 1			



PCB LAYOUT
 COMPONENT SIDE
 SCALE 8:1

THIS DRAWING IS A CONTROLLED DOCUMENT.		DWN T. KODAIRA 09MAY2016	TE Connectivity
DIMENSIONS:		CHK D. TROUT 09MAY2016	
mm	TOLERANCES UNLESS OTHERWISE SPECIFIED:	APVD D. TROUT 09MAY2016	NAME RECEPTACLE ASSEMBLY, RIGHT ANGLE, 8 PAIR 8 COLUMN, 85 OHM PiC, STRADA WHISPER
0 PLC ± 1 PLC ±0.12 2 PLC ± 3 PLC ± 4 PLC ± ANGLES ±	MATERIAL - FINISH -	PRODUCT SPEC - APPLICATION SPEC - WEIGHT - CUSTOMER DRAWING	SIZE CAGE CODE DRAWING NO A100779C=2274730 SCALE 4:1 SHEET 2 OF 2 REV C

X-ON Electronics

Largest Supplier of Electrical and Electronic Components

Click to view similar products for [High Speed/Modular Connectors](#) category:

Click to view products by [TE Connectivity](#) manufacturer:

Other Similar products are found below :

[650827-1](#) [74040-1346](#) [1410191-1](#) [1410368-3](#) [1410964-2](#) [1410326-3](#) [1410367-3](#) [1410971-4](#) [1467833-1](#) [2000877-1](#) [2000878-1](#) [2041314-1](#)
[2065387-1](#) [2187307-1](#) [163P](#) [1934290-1](#) [2000875-1](#) [2065917-1](#) [2102736-2](#) [FSR-40](#) [2169868-2](#) [22354-8](#) [437-5040-000](#) [5-1393565-0](#) [039-](#)
[0246-000](#) [0740618502](#) [0761601016](#) [0784461022](#) [10123159-12ELF](#) [030-2415-003/100 PK](#) [030-7380-004](#) [030-2494-001](#) [532939-1](#) [5532901-](#)
[3](#) [3-1469268-7](#) [74748-102LF](#) [10041743-101LF](#) [10066670-100002LF](#) [1-533915-1](#) [249-4515-000](#) [7-1469373-3](#) [DL2-2J/S](#) [2000713-8](#)
[2000713-7](#) [10124313-101LF](#) [3011-21](#) [757105208](#) [430305-001](#) [4395800100](#) [8140115](#)