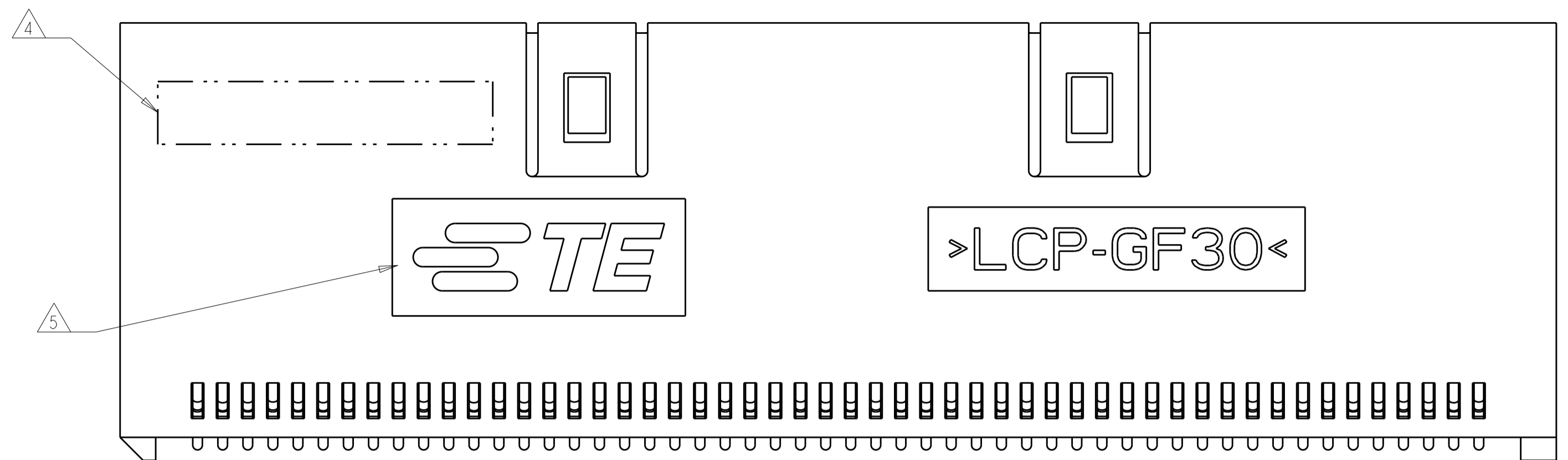
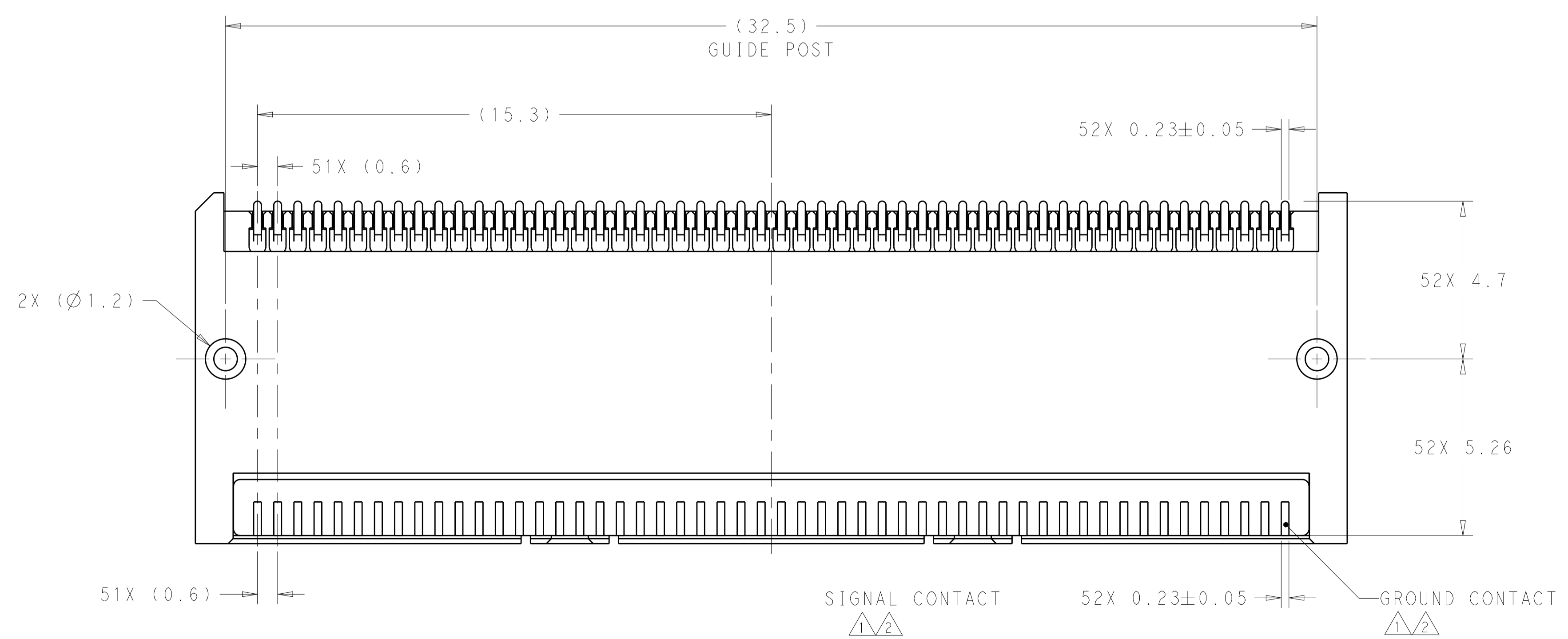
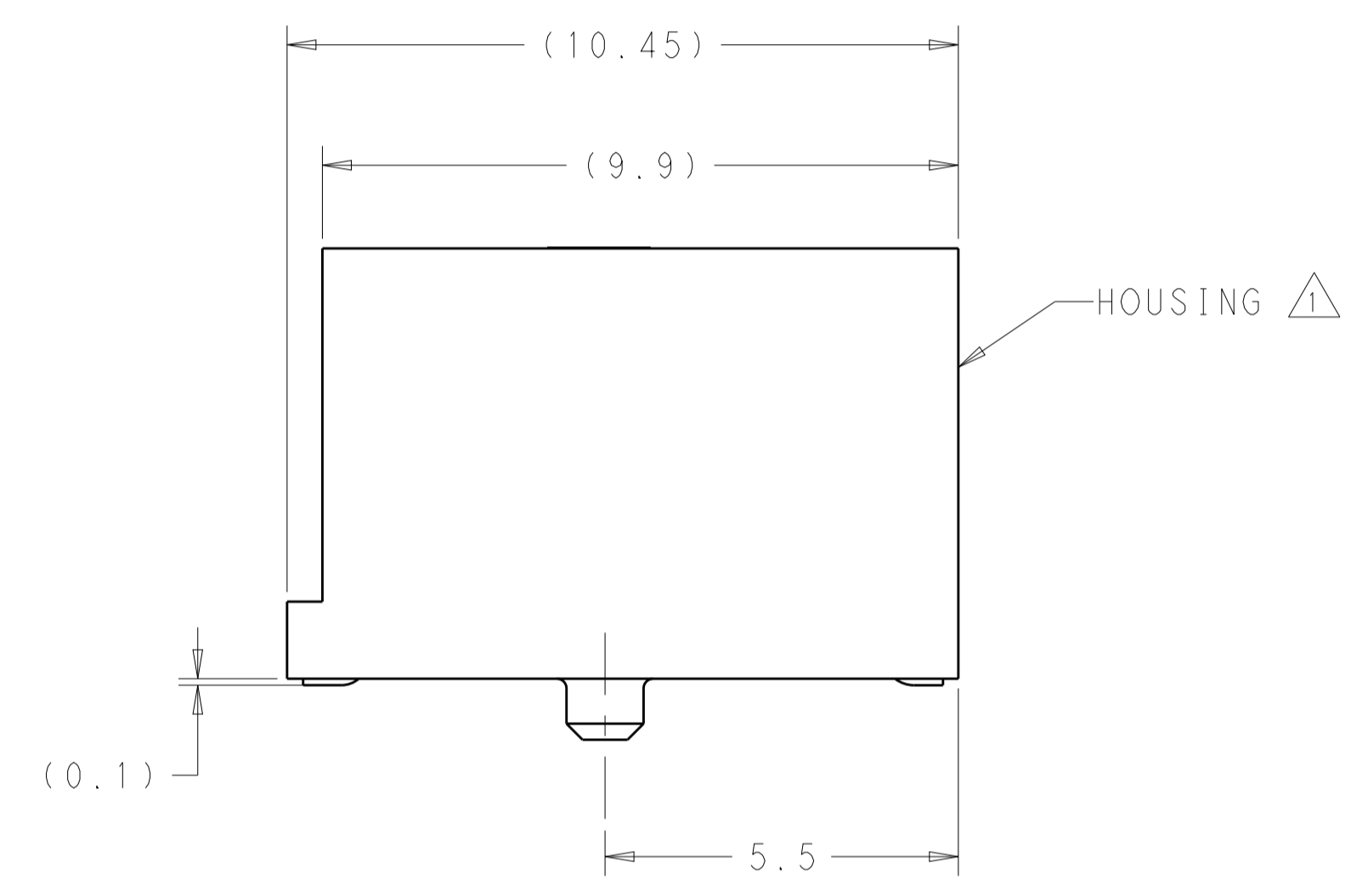
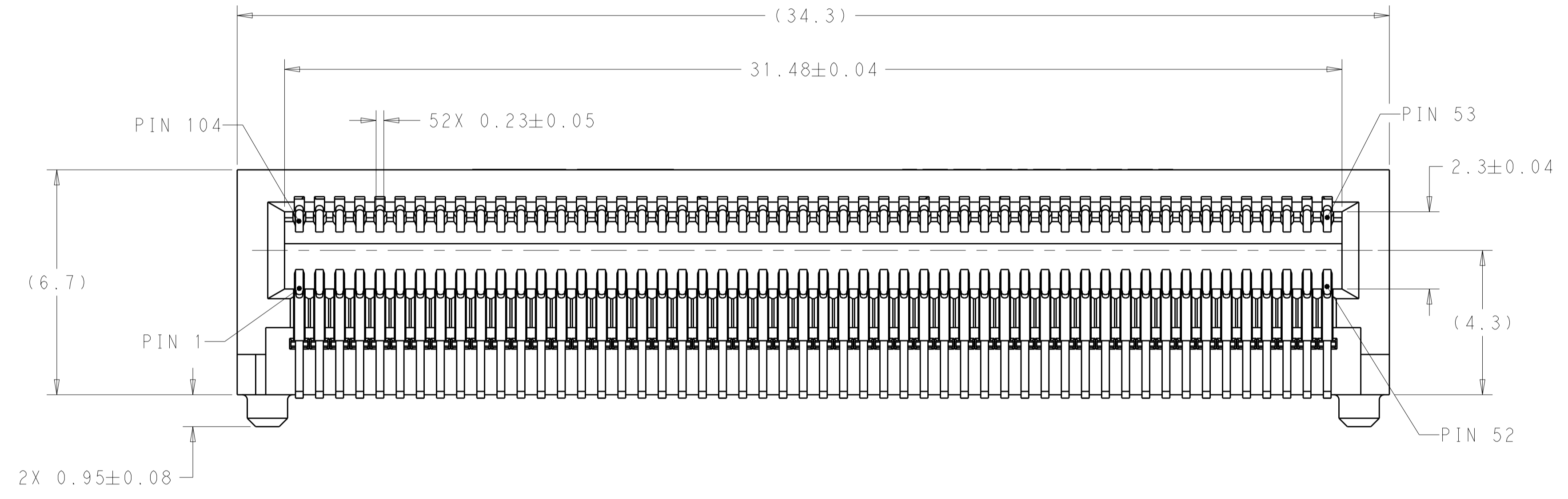


| REVISIONS | | | | |
|-----------|------|----------------------------|-----------|-------|
| P. | LTN. | DESCRIPTION | DATE | APVD. |
| A | | RELEASED PER ECO-18-005803 | 25APR2018 | MS JW |
| | | | | |
| | | | | |



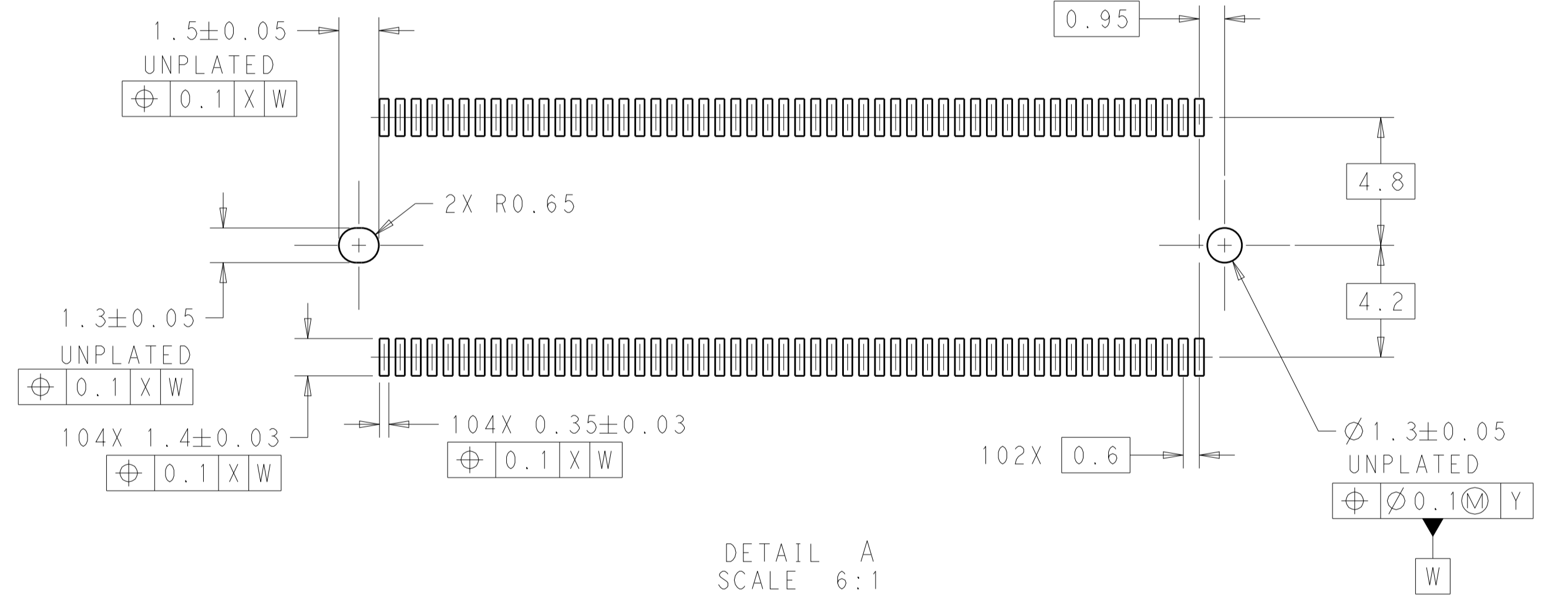
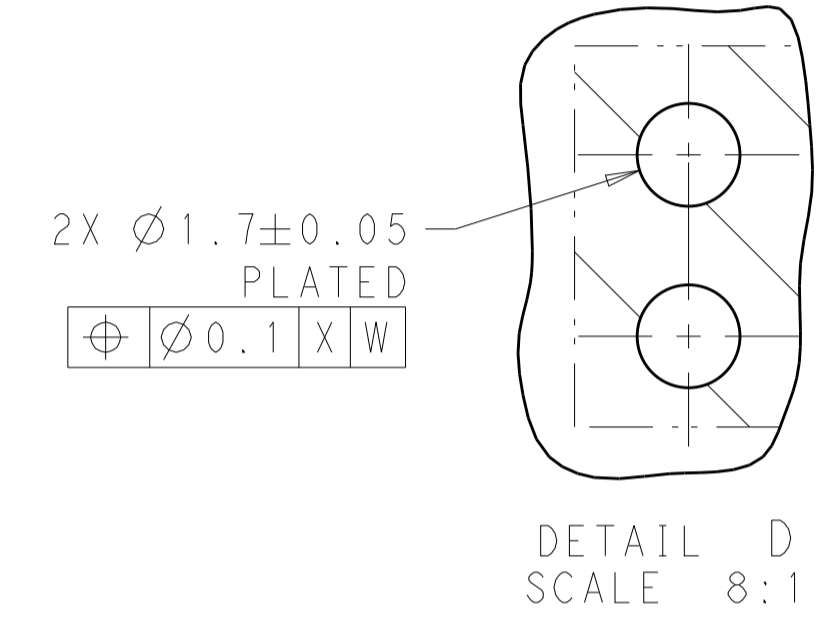
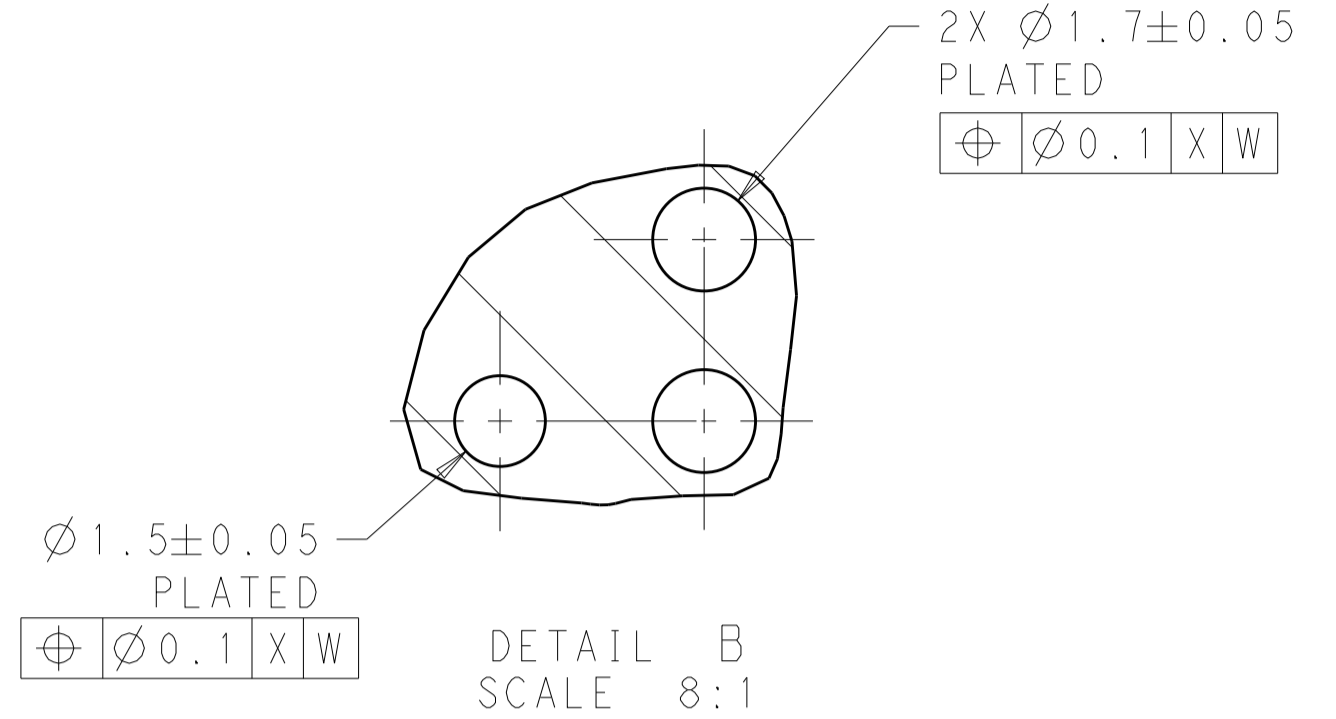
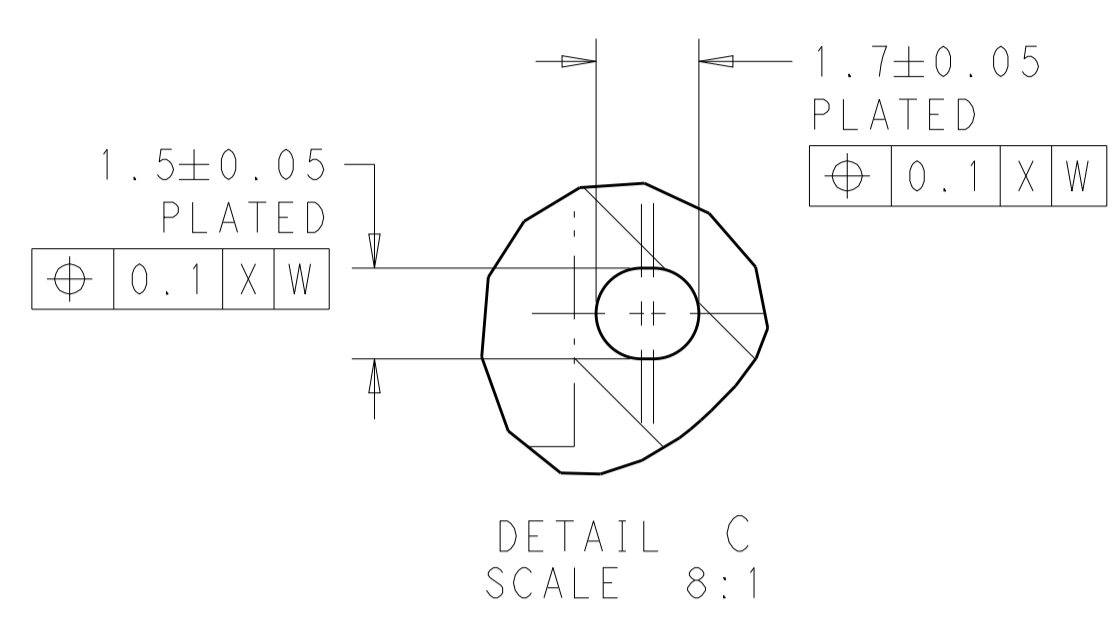
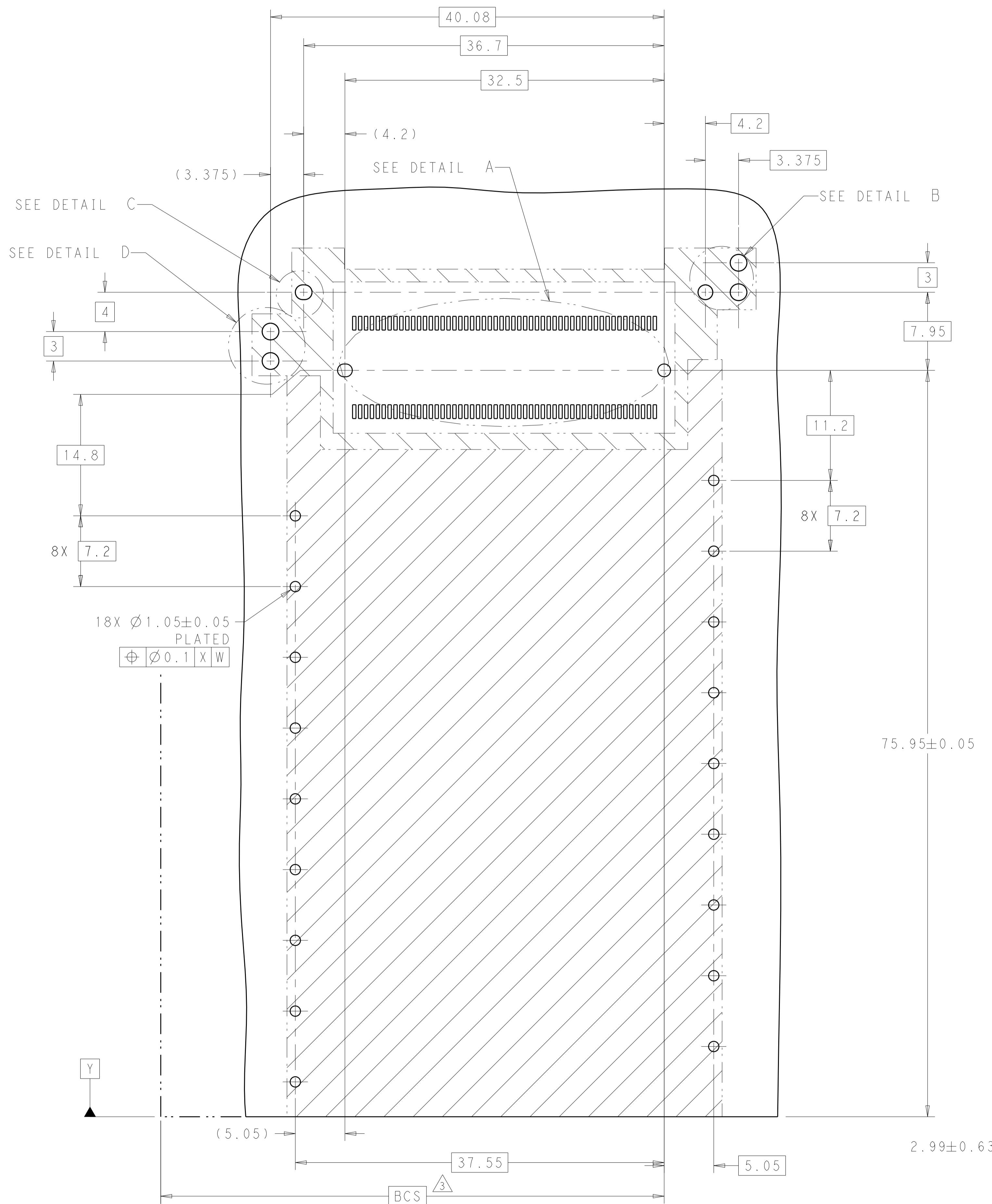
- ⚠ MATERIALS:
 HOUSING- POLYESTER LCP. UL 94V-0
 SIGNAL CONTACT- COPPER ALLOY.
 GROUND CONTACT- COPPER ALLOY.
- ⚠ CONTACT FINISH: CONFORMS TO THE REQUIREMENTS OF TE PRODUCT SPECIFICATION 108-XXXX, BASED ON EIA/ECA-364-1000.01A, (CONTROLLED ENVIRONMENT APPLICATIONS) ON MATING INTERFACE, GOLD FLASH ON SOLDER TAIL.
- ⚠ DATUM AND BASIC DIMENSION ESTABLISHED BY CUSTOMER.
- ⚠ PART NUMBER AND DATE CODE MARKED IN APPROXIMATE AREA SHOWN.
- ⚠ MANUFACTURER'S LOGO APPROXIMATELY AS SHOWN.



2274845-1
 PART NUMBER

| | | | |
|--|------------|----------------------------|---|
| THIS DRAWING IS A CONTROLLED DOCUMENT. | | DWN: B. MATTHEWS 04DEC2014 | TE Connectivity NAME: CONNECTOR ASSEMBLY, RECEPTACLE, CFP2 |
| DIMENSIONS: | | CHK: M. SCHMITT 04DEC2014 | |
| TOLERANCES UNLESS OTHERWISE SPECIFIED: | | APVD: M. SCHMITT 04DEC2014 | SIZE: A1 |
| mm | 0 PLC ±0.1 | PRODUCT SPEC | CAGE CODE: 00779 |
| | 1 PLC ±0.1 | APPLICATION SPEC | DRAWING NO: 2274845 |
| | 2 PLC ±0.1 | WEIGHT | SCALE: 10:1 |
| | 3 PLC ± | CUSTOMER DRAWING | SHEET 1 OF 3 |
| | 4 PLC ± | | REV A |
| | ANGLES | | |
| | FINISH | | |

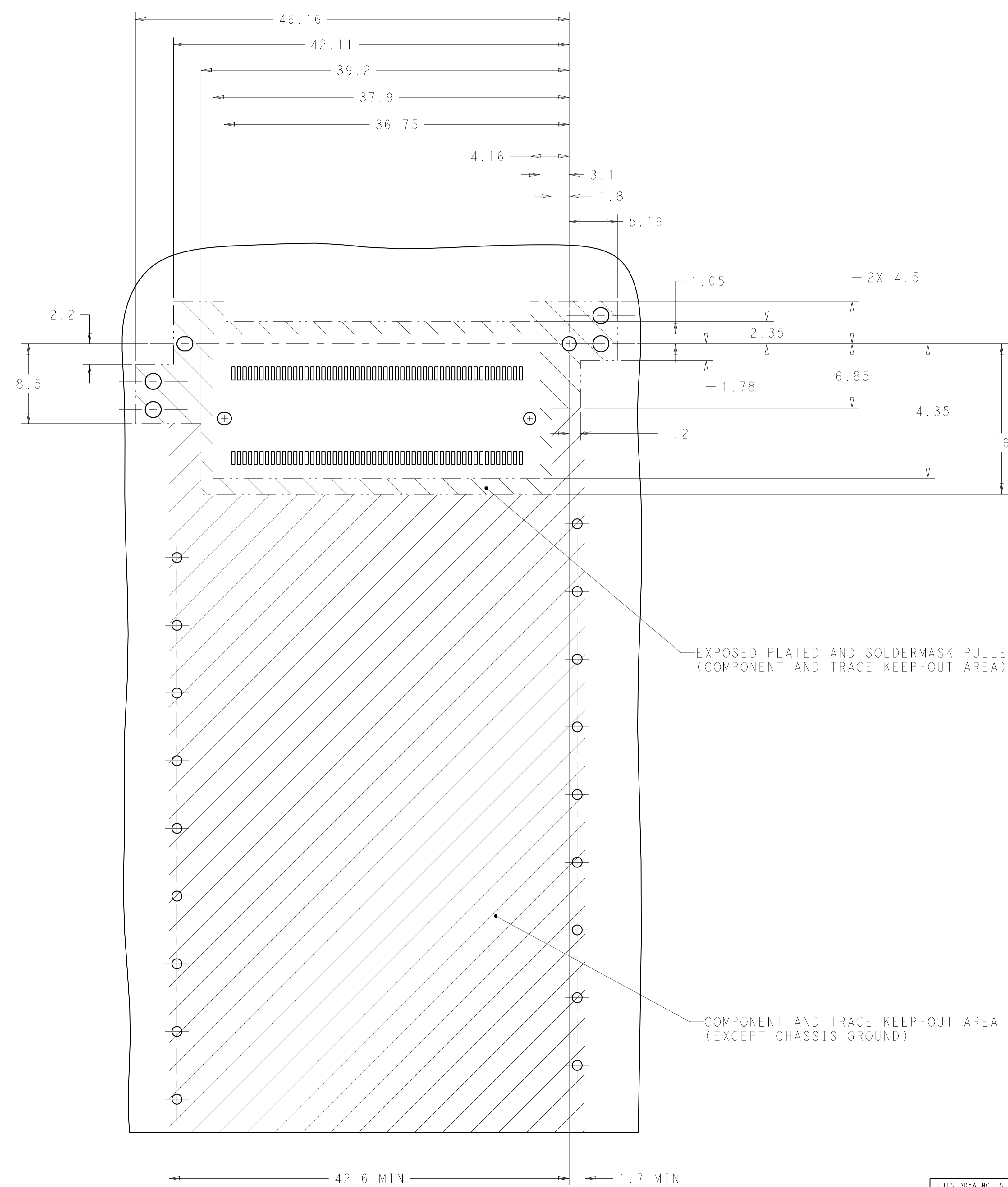
| REVISIONS | | | | |
|-----------|------|-------------|------|-------|
| P. | LTN. | DESCRIPTION | DATE | APPV. |
| - | - | SEE SHEET 1 | - | - |
| | | | | |
| | | | | |



RECOMMENDED PCB LAYOUT
 SCALE 4:1
 SINGLE SIDED APPLICATION
 1X1 CONFIGURATION SHOWN

| | | | |
|---|--|---------------------------|---|
| THIS DRAWING IS A CONTROLLED DOCUMENT. | | OWN B. MATTHEWS 04DEC2014 | TE Connectivity |
| DIMENSIONS: mm | | CHK M. SCHMITT 04DEC2014 | |
| TOLERANCES UNLESS OTHERWISE SPECIFIED: | | APVD M. SCHMITT 04DEC2014 | NAME CONNECTOR ASSEMBLY, RECEPTACLE, CFP2 |
| 0 PLC ±0.1 1 PLC ±0.1 2 PLC ±0.1 3 PLC ±0.1 4 PLC ±0.1 ANGLES ±° | | PRODUCT SPEC | SIZE CAGE CODE DRAWING NO |
| MATERIAL | | APPLICATION SPEC | A100779C=2274845 |
| FINISH | | WEIGHT | RESTRICTED TO |
| CUSTOMER DRAWING | | SCALE 10:1 | SHEET 2 OF 3 REV A |

| REVISIONS | | | | | |
|-----------|-----|-------------|------|-----|------|
| P. | LTN | DESCRIPTION | DATE | OWN | APVD |
| - | - | SEE SHEET 1 | - | - | - |
| | | | | | |
| | | | | | |



SCALE 4:1

| | | | |
|---|--|---------------------------|---|
| THIS DRAWING IS A CONTROLLED DOCUMENT. | | DWN B. MATTHEWS 04DEC2014 | TE Connectivity |
| DIMENSIONS: mm | | CHK M. SCHMITT 04DEC2014 | |
| TOLERANCES UNLESS OTHERWISE SPECIFIED: 0 PLC ±0.1 1 PLC ±0.1 2 PLC ±0.1 3 PLC ± 4 PLC ± ANGLES ±° | | APVD M. SCHMITT 04DEC2014 | NAME CONNECTOR ASSEMBLY, RECEPTACLE, CFP2 |
| MATERIAL | | PRODUCT SPEC | SIZE CAGE CODE DRAWING NO |
| FINISH | | APPLICATION SPEC | A100779C=2274845 |
| CUSTOMER DRAWING | | WEIGHT | RESTRICTED TO |
| | | SCALE 10:1 | SHEET 3 OF 3 REV A |

X-ON Electronics

Largest Supplier of Electrical and Electronic Components

Click to view similar products for [I/O Connectors](#) category:

Click to view products by [TE Connectivity](#) manufacturer:

Other Similar products are found below :

[571763P](#) [58098-0628](#) [72.250.1628.2](#) [72.250.2428.2](#) [74720-0505](#) [76.350.0729.0](#) [76871-1403](#) [FCN-244F080-G/1](#) [FCN-260A9920](#) [PCR-E36PM](#) [PCS-XE26MA+](#) [G38A71314B](#) [DX40-50P\(55\)](#) [1571250010](#) [157-22500-3](#) [MS3471L14-19P L/C](#) [91-569786-35H](#) [172501-4002](#) [172501-6002](#) [FCN-260C008-A/L0](#) [FCN-260C024-AL0](#) [FCN-261Z008](#) [2000314-1](#) [200331-1](#) [PCR-E36FC+](#) [PCS-E28FS+](#) [PCS-XE26SLFD+](#) [PCS-XE26SLFDT+](#) [G730VID08BDC24](#) [U90B2054081210](#) [UE86K842720321](#) [38113800006](#) [DP3AR020WQ1R200](#) [Z4.102.0680.0](#) [500-1040](#) [500-1052](#) [500-1054](#) [ZP-4008-66L](#) [0709821002](#) [10-565995-597N](#) [DX40-20P\(55\)](#) [5554841-1](#) [MS3474W18-8P-LC*](#) [U90B3054061110](#) [U65-E04-4020](#) [ZPF000000000097891](#) [557-262M2-06C](#) [747360449](#) [10099439-003C-TRLF](#) [10137239-0021LF](#)