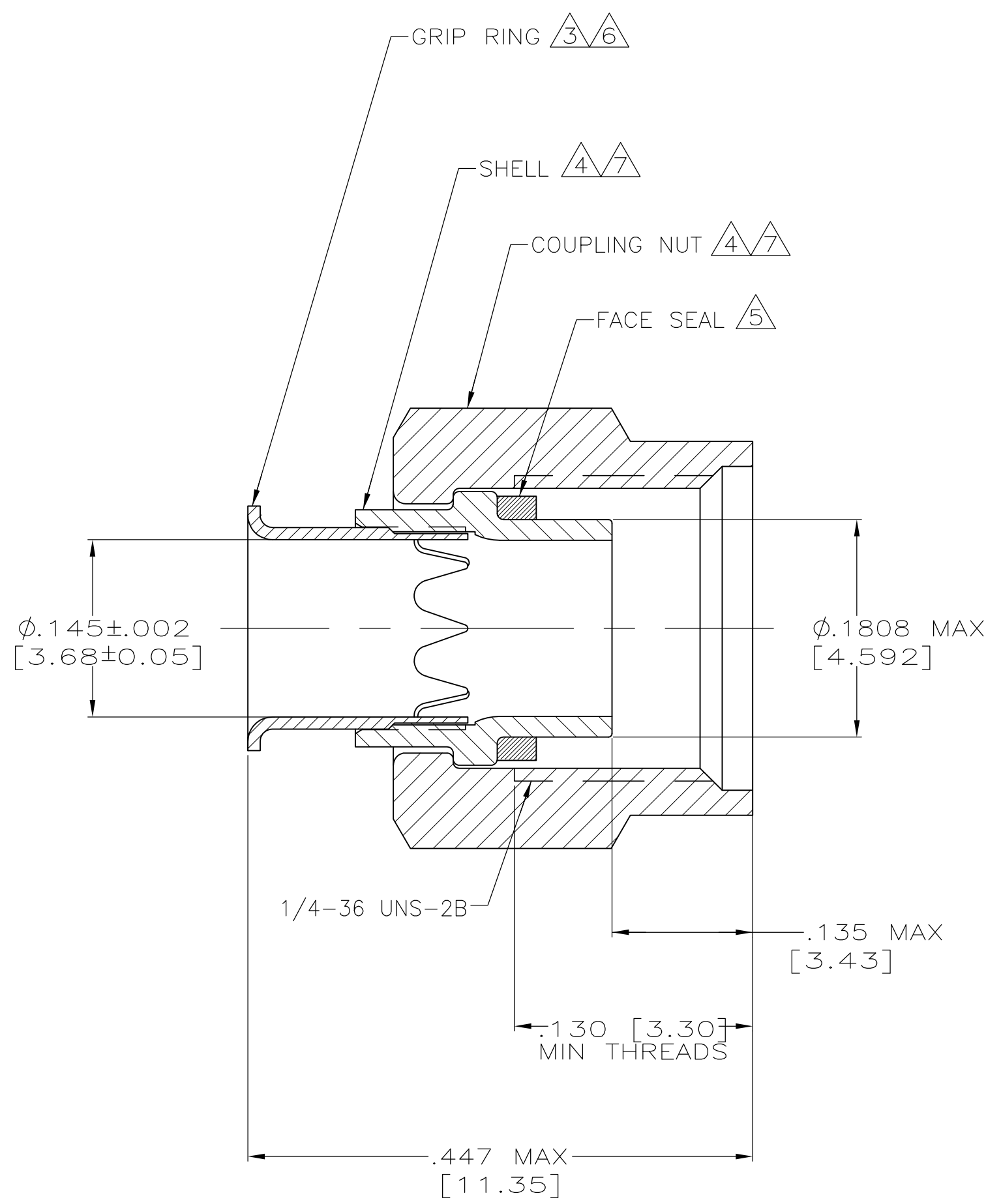
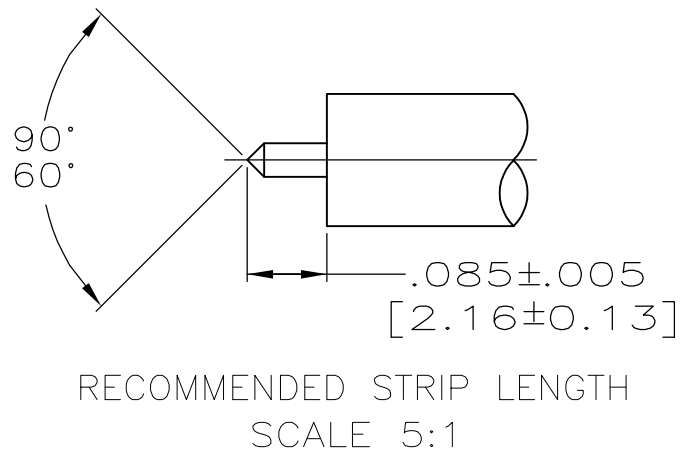
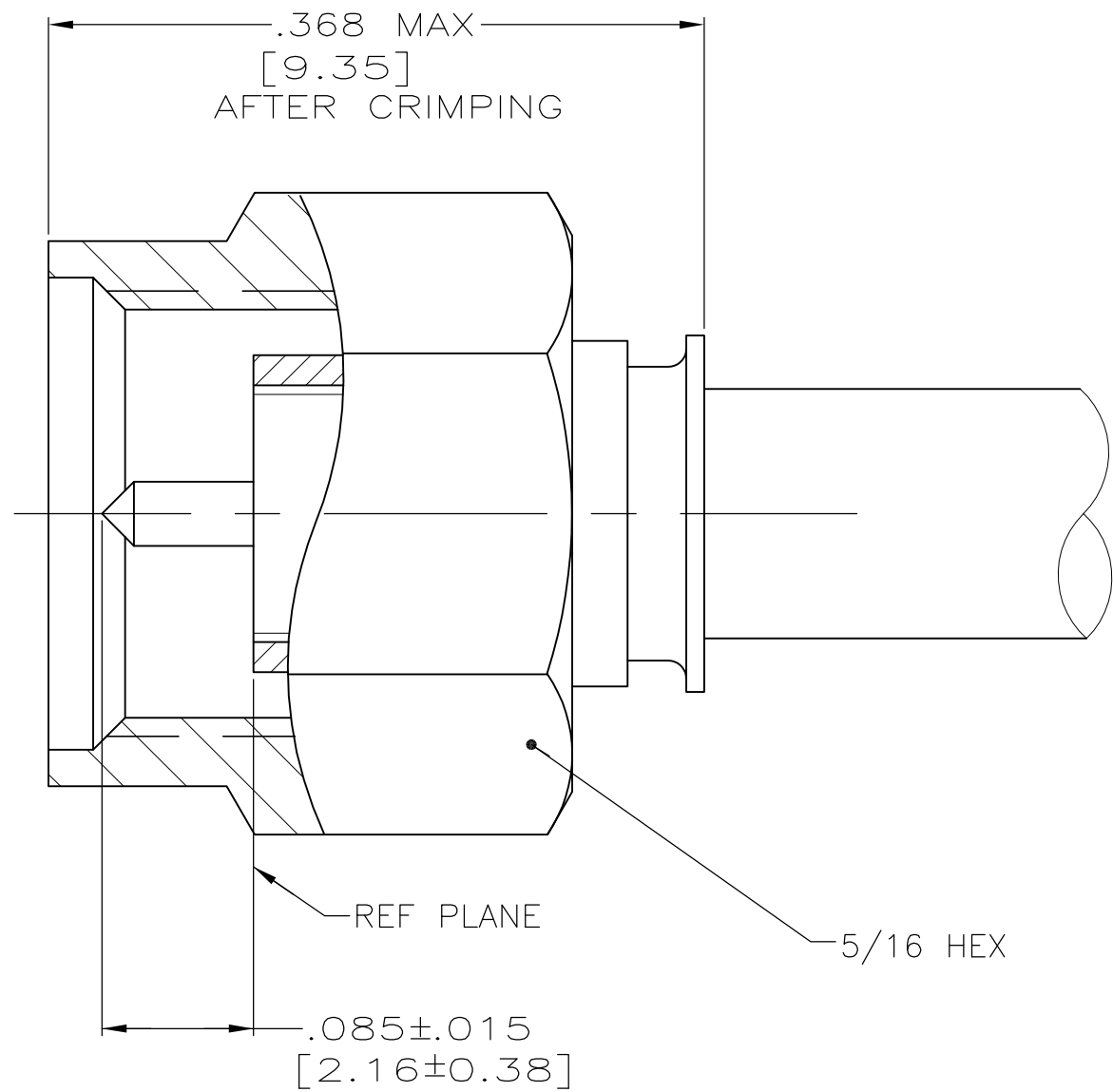


THIS DRAWING IS UNPUBLISHED. RELEASED FOR PUBLICATION
 © COPYRIGHT - By - ALL RIGHTS RESERVED.

| LOC | DIST | REVISIONS | | | | | |
|-----|------|-----------|-----|---------------------------|---------|-----|------|
| | | P | LTR | DESCRIPTION | DATE | DWN | APVD |
| AJ | 16 | | G1 | REVISED PER ECO-11-005030 | 11MAR11 | RK | HMR |



1. FOR USE WITH RG-402/U, .141 [3.58] SEMI-RIGID CABLE.
2. SEE I.S. 6788.
3. BRASS PER ASTM-B-36
4. STAINLESS STEEL PER ASTM-A-582
5. SILICONE RUBBER PER ZZ-R-765
6. NICKEL PLATE PER QQ-N-290.
7. PASSIVATION PER ASTM A967
8. .500 [12.70] MIN LENGTH OF STRAIGHT CABLE REQUIRED TO APPLY THE CONNECTOR.

| | | | | | | | | | | | | | | | | | | | | | | |
|--|---|------------------|------------|---------|---------------------------|------------|---|---|-------|---|---|-------|---|---|-------|---|---|--------|---|---|------|--------------------|
| THIS DRAWING IS A CONTROLLED DOCUMENT. | | DWN | C.C.THOMAS | 8-2-93 | TE TE Connectivity | | | | | | | | | | | | | | | | | |
| DIMENSIONS: INCHES[mm] | | CHK | J.CABARLO | 8-17-93 | | | | | | | | | | | | | | | | | | |
| TOLERANCES UNLESS OTHERWISE SPECIFIED: | | APVD | J.CABARLO | 8-17-93 | | | | | | | | | | | | | | | | | | |
| <table border="1"> <tr><td>0 PLC</td><td>±</td><td>-</td></tr> <tr><td>1 PLC</td><td>±</td><td>-</td></tr> <tr><td>2 PLC</td><td>±</td><td>-</td></tr> <tr><td>3 PLC</td><td>±</td><td>-</td></tr> <tr><td>4 PLC</td><td>±</td><td>-</td></tr> <tr><td>ANGLES</td><td>±</td><td>-</td></tr> </table> | | 0 PLC | ± | - | | 1 PLC | ± | - | 2 PLC | ± | - | 3 PLC | ± | - | 4 PLC | ± | - | ANGLES | ± | - | NAME | PLUG,SERIES SMA,RF |
| 0 PLC | ± | - | | | | | | | | | | | | | | | | | | | | |
| 1 PLC | ± | - | | | | | | | | | | | | | | | | | | | | |
| 2 PLC | ± | - | | | | | | | | | | | | | | | | | | | | |
| 3 PLC | ± | - | | | | | | | | | | | | | | | | | | | | |
| 4 PLC | ± | - | | | | | | | | | | | | | | | | | | | | |
| ANGLES | ± | - | | | | | | | | | | | | | | | | | | | | |
| MATERIAL SEE CALLOUTS | | FINISH | 108-12055 | | SIZE | A2 | | | | | | | | | | | | | | | | |
| | | WEIGHT | .063 OZ | | CAGE CODE | 00779 | | | | | | | | | | | | | | | | |
| | | CUSTOMER DRAWING | | | DRAWING NO | C=227531-5 | | | | | | | | | | | | | | | | |
| | | SCALE | 10:1 | | SHEET | 1 of 1 | | | | | | | | | | | | | | | | |
| | | REV | G1 | | RESTRICTED TO | - | | | | | | | | | | | | | | | | |

X-ON Electronics

Largest Supplier of Electrical and Electronic Components

Click to view similar products for [RF Connectors / Coaxial Connectors](#) category:

Click to view products by [TE Connectivity](#) manufacturer:

Other Similar products are found below :

[8915-1511-000](#) [89674-0827](#) [6001-7071-019](#) [6002-7051-003](#) [6002-7551-202](#) [6059674-1](#) [619550-1](#) [630059-000](#) [M39030/3-01N](#) [6500-7071-046](#) [6769](#) [CX050L2AQ](#) [7002-1541-010](#) [7002-1542-011](#) [7004-1512-000](#) [7009-1511-004](#) [7010-1511-000](#) [7029-1511-060](#) [7101-1541-010](#) [7101-1571-002](#) [7105-1521-002](#) [7145-1521-002](#) [7203-1571-003](#) [7209-1511-011](#) [7210-1511-015](#) [7210-1511-019](#) [73137-5015](#) [73216-2241](#) [73404-2300](#) [7405-1521-005](#) [7405-1521-802](#) [8527](#) [8547](#) [FS11V](#) [877931](#) [9049-9513-000](#) [9074-9513-000](#) [9101-9573-002](#) [910A205F](#) [9130-9573-002](#) [PL11SC-026](#) [PL375-33](#) [PL40-5](#) [PL74C-221](#) [PL75MC-217](#) [PL803-7](#) [1200690078](#) [1-201144-1](#) [R107003010W](#) [R110A172100](#)