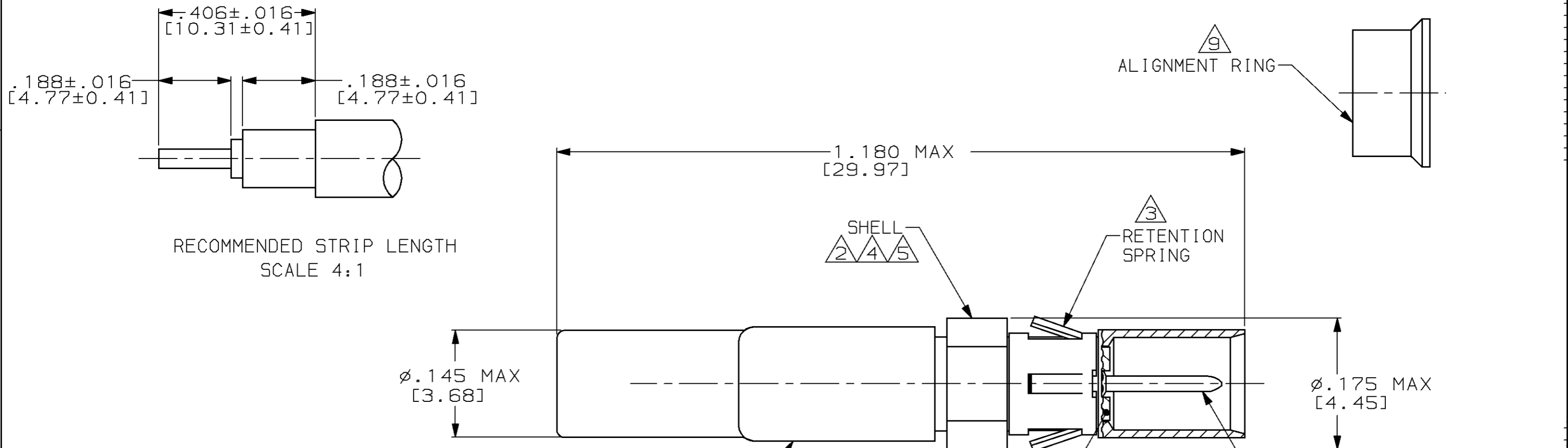


THIS DRAWING IS UNPUBLISHED. RELEASED FOR PUBLICATION, 19
 © COPYRIGHT 19 BY AMP INCORPORATED. ALL INTERNATIONAL RIGHTS RESERVED.

PROD	LOC	DIST	P	F	ZONE	LTR	DESCRIPTION	DATE	APPD
3349	DF	X0				E	REV & REDRAWN; 0600-5735-96 CT	3-97	JW



RECOMMENDED STRIP LENGTH
SCALE 4:1

- ① MATERIAL: PTFE PER ASTM-D-1457.
- ② MATERIAL: BRASS PER ASTM-B-16.
- ③ MATERIAL: STAINLESS STEEL PER QQ-S-766.
- ④ FINISH: NICKLE PLATE PER QQ-N-290.
- ⑤ FINISH: DURAGOLD PLATE.
- ⑥ FINISH: TIN PLATE PER ASTM-B-545.
- 7. FOR USE WITH: RG-178U DBL BRAID, 196/U, MALCO #250-3908-0000 & TENSOLITE #30850/81T-1 CABLE.
- 8. .180 [4.57] MIN DIA HOLE REQUIRED FOR CONTACT TO FEED THROUGH P.C. BOARD.
- ⑨ ALIGNMENT RING IS USED TO STABILIZE CONTACT IN THE HOUSING CAVITY; OTHERWISE DISCARD.
- 10. SEE I.S. 2923 AND USE CRIMPING TOOL 220215-1.

DO NOT SCALE PRINT. UNLESS SPECIFIED DIMENSIONS IN INCHES [mm]		DR 3-4-97 C.C. THOMAS		AMP AMP Incorporated Harrisburg, PA 17105-3608	
TOLERANCES ON:		CHK 3-4-97 J. WEAVER			
2 PLC DEC ±		APPD 3-4-97 J. WEAVER		NAME CONTACT, SOCKET, COAXIAL, MICROMINIATURE	
3 PLC DEC ±		RLSE 3-4-97 C.C. THOMAS			
ANGLES ±		PRODUCT SPEC		SIZE B	
MATERIAL		APPLICATION SPEC		CAGE CODE 00779	
FINISH		WEIGHT -		DRAWING NO 227605-1	
①②③				SCALE 8:1	
④⑤				SHEET 1 OF 1	

227605-1
PART NO

X-ON Electronics

Largest Supplier of Electrical and Electronic Components

Click to view similar products for [Circular MIL Spec Contacts](#) category:

Click to view products by [TE Connectivity](#) manufacturer:

Other Similar products are found below :

[006-0984-20](#) [006-1186-20](#) [006-1189-20](#) [601101N004](#) [CT1LC22-22SS](#) [CT2-20-8SS](#) [CT6F36-10PCA152](#) [M39029/18-179](#) [M39029/30-222](#)
[M39029/31-235](#) [M39029/48-318](#) [M39029/73-397](#) [M39029/9-133](#) [M39029/9-134](#) [M5000-054-0020L](#) [809-023](#) [811393-000](#) [97-45-1418P-](#)
[5\(920\)](#) [97-45-1418S-4](#) [97-45-1622P-5](#) [97-45-1622S-4\(920\)](#) [97-45-1622S-5](#) [97-55-1622S-5](#) [D-602-0104CS076](#) [D-602-0106CS076](#) [AIC12-](#)
[10P](#) [AIC12-14P](#) [AIC16-16PG](#) [AIC16-2024SG](#) [AIC16S-16PG](#) [AIC8-12P](#) [AIC8-12S](#) [AIC8-8SG](#) [1495044-1](#) [MS3101F22-22SF187](#) [162GB-](#)
[149-20000-05](#) [BACC47CP2T](#) [BACC47DP4](#) [BACC47GC1A](#) [BACC47GN1](#) [173-900245-91](#) [CA02R28-12PA152F80](#) [CA06R28-12PA152F80](#)
[21-033012-001](#) [21-033122-546](#) [21-033122-563](#) [21-033190-071](#) [21-033198-003](#) [21-033198-010](#) [21-033385-071](#)