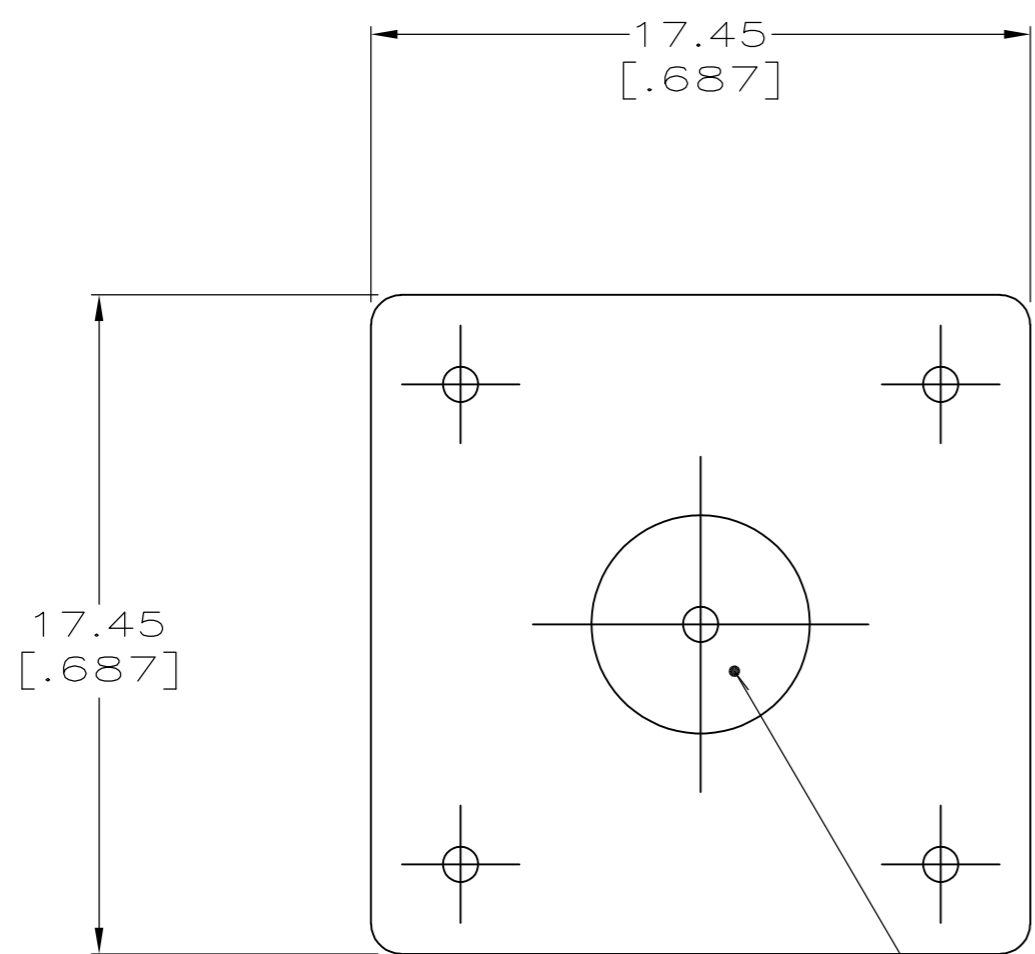
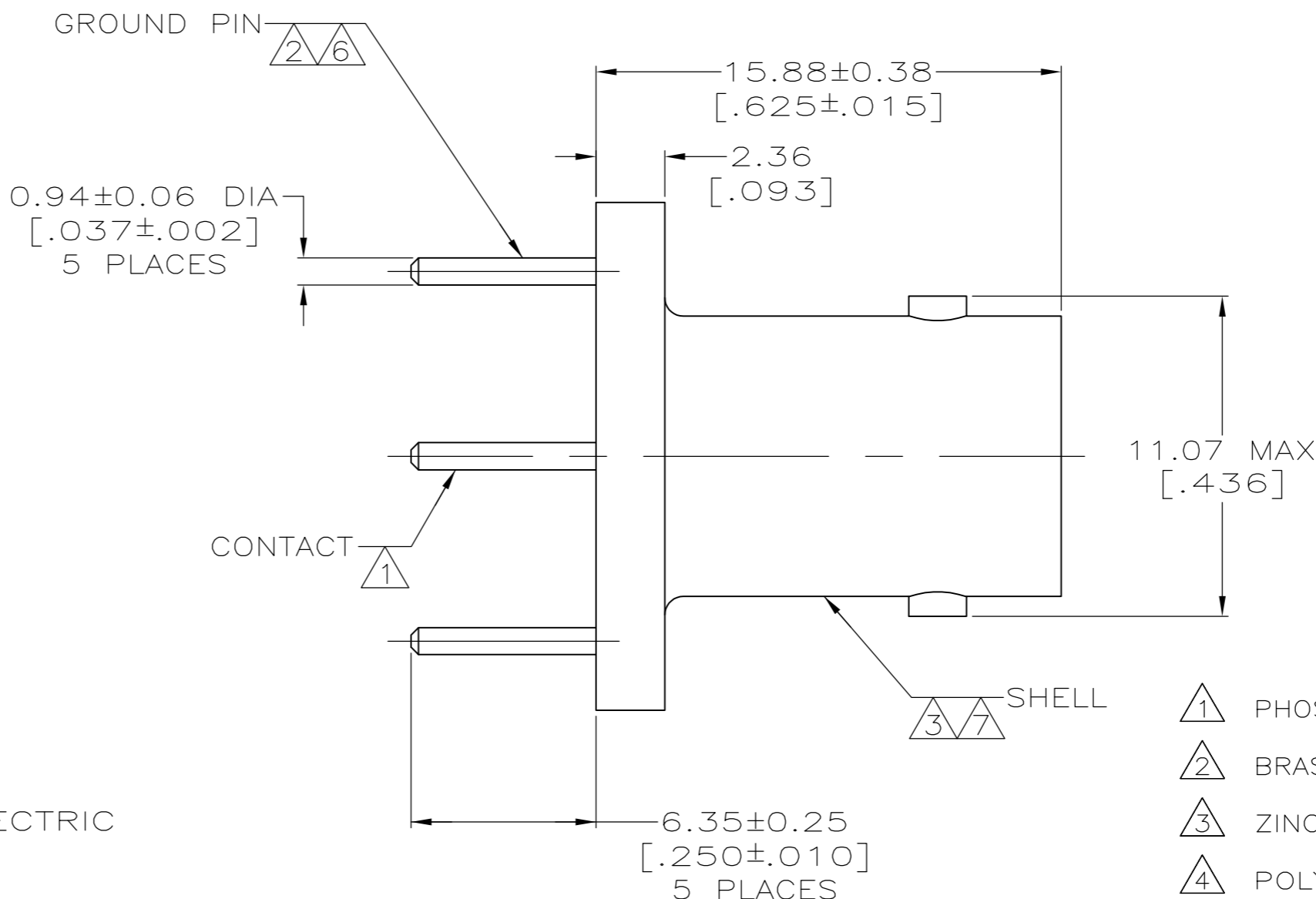


THIS DRAWING IS UNPUBLISHED. RELEASED FOR PUBLICATION
 © COPYRIGHT - By - ALL RIGHTS RESERVED.

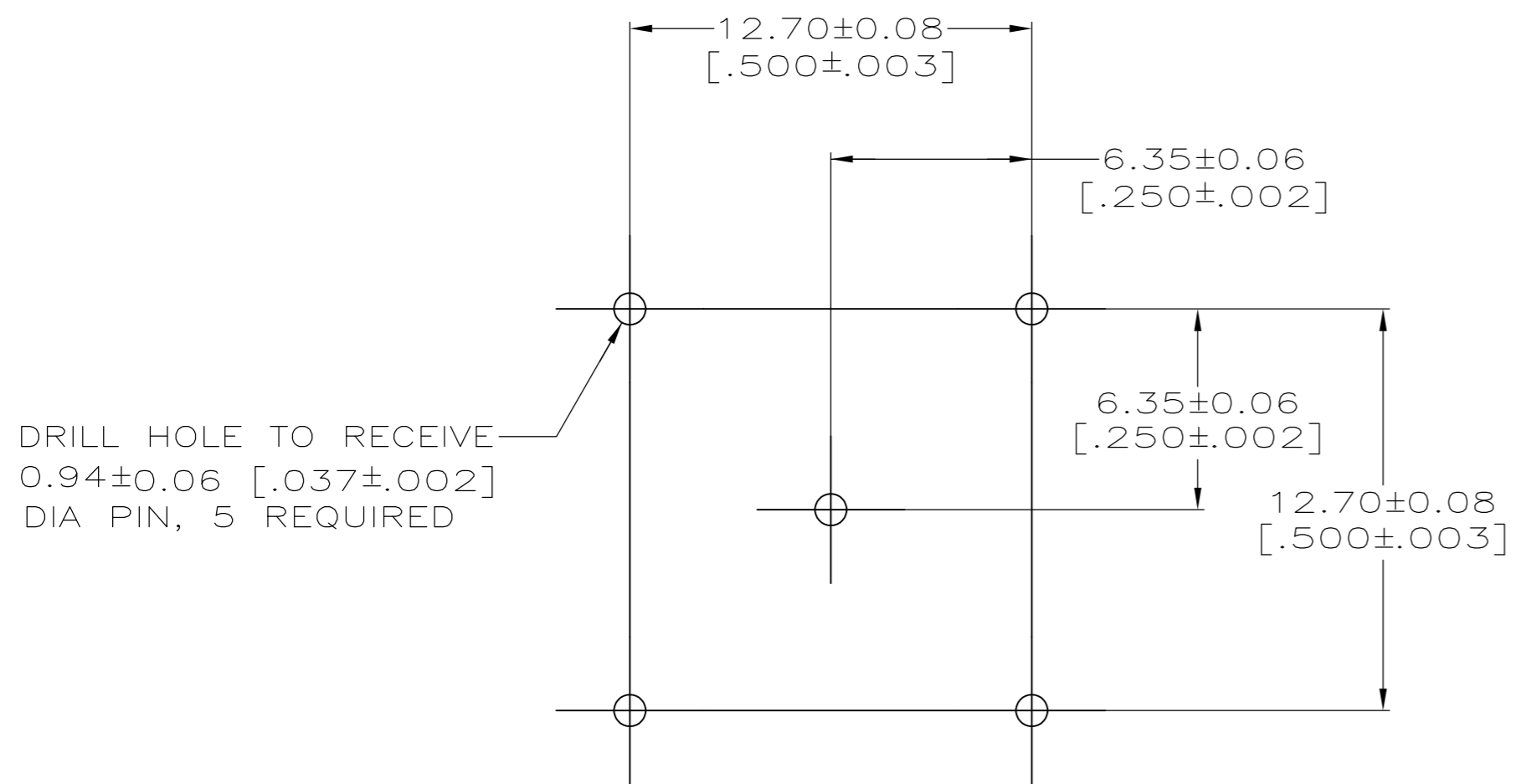
LOC		DIST		REVISIONS			
P	LTR	DESCRIPTION		DATE	DWN	APVD	
	L2	REVISED PER ECO-11-005030		11MAR11	RK	HMR	



△4 DIELECTRIC



- △1 PHOSPHOR BRONZE PER QQ-B-750.
- △2 BRASS PER QQ-B-626.
- △3 ZINC PER QQ-Z-363.
- △4 POLYESTER, PBT, PER MIL-M-24519.
- △5 SILVER PLATE PER QQ-S-365
2.54 μm [0.000100] MINIMUM THICK.
- △6 TIN PLATE PER ASTM-B-545
2.54 μm [0.000100] MINIMUM THICK.
- △7 NICKEL PLATE PER QQ-N-290
3.81 μm [0.000150] MINIMUM THICK.
- △8 GOLD PLATE PER MIL-G-45204,
0.76 μm [0.000030] MINIMUM THICK.
- 9. SEE INSTRUCTION SHEET 408-9889.



SUGGESTED PCB CONFIGURATION

OBSOLETE	CONTACT FINISH	PART NUMBER
△6		9-227699-0
△6		227699-3
△8		227699-2
△5		227699-1

THIS DRAWING IS A CONTROLLED DOCUMENT.		DWN J. LIPPERT 2-14-92																				
DIMENSIONS: INCHES		CHK A. GABANY 2-14-92																				
TOLERANCES UNLESS OTHERWISE SPECIFIED:		APVD J. LIPPERT 02-14-92	NAME JACK, 50 OHM, VERTICAL, PCB, BNC																			
<table border="1"> <tr><td>0 PLC</td><td>±</td><td>-</td></tr> <tr><td>1 PLC</td><td>±</td><td>-</td></tr> <tr><td>2 PLC</td><td>±</td><td>0.20 [0.008]</td></tr> <tr><td>3 PLC</td><td>±</td><td>-</td></tr> <tr><td>4 PLC</td><td>±</td><td>-</td></tr> <tr><td>ANGLES</td><td>±</td><td>-</td></tr> </table>		0 PLC	±	-	1 PLC	±	-	2 PLC	±	0.20 [0.008]	3 PLC	±	-	4 PLC	±	-	ANGLES	±	-	PRODUCT SPEC 108-12078	SIZE A2	
0 PLC	±	-																				
1 PLC	±	-																				
2 PLC	±	0.20 [0.008]																				
3 PLC	±	-																				
4 PLC	±	-																				
ANGLES	±	-																				
MATERIAL		APPLICATION SPEC	CAGE CODE 00779	DRAWING NO 227699																		
FINISH		WEIGHT	SCALE 5:1	SHEET 1 of 1																		
		CUSTOMER DRAWING	REV L2	RESTRICTED TO																		

227699

X-ON Electronics

Largest Supplier of Electrical and Electronic Components

Click to view similar products for [RF Connectors / Coaxial Connectors](#) category:

Click to view products by [TE Connectivity](#) manufacturer:

Other Similar products are found below :

[8915-1511-000](#) [89674-0827](#) [6001-7071-019](#) [6002-7051-003](#) [6002-7551-202](#) [6059674-1](#) [619550-1](#) [630059-000](#) [M39030/3-01N](#) [6500-7071-046](#) [6769](#) [CX050L2AQ](#) [7002-1541-010](#) [7002-1542-011](#) [7004-1512-000](#) [7009-1511-004](#) [7010-1511-000](#) [7029-1511-060](#) [7101-1541-010](#) [7101-1571-002](#) [7145-1521-002](#) [7203-1571-003](#) [7209-1511-011](#) [7210-1511-015](#) [7210-1511-019](#) [73137-5015](#) [73216-2241](#) [73404-2300](#) [7405-1521-005](#) [7405-1521-802](#) [8527](#) [8547](#) [FS11V](#) [877931](#) [9049-9513-000](#) [9074-9513-000](#) [9101-9573-002](#) [910A205F](#) [9130-9573-002](#) [PL11SC-026](#) [PL375-33](#) [PL40-5](#) [PL74C-221](#) [PL75MC-217](#) [PL803-7](#) [980-8666-005](#) [1200690078](#) [1-201144-1](#) [R107003010W](#) [R110A172100](#)