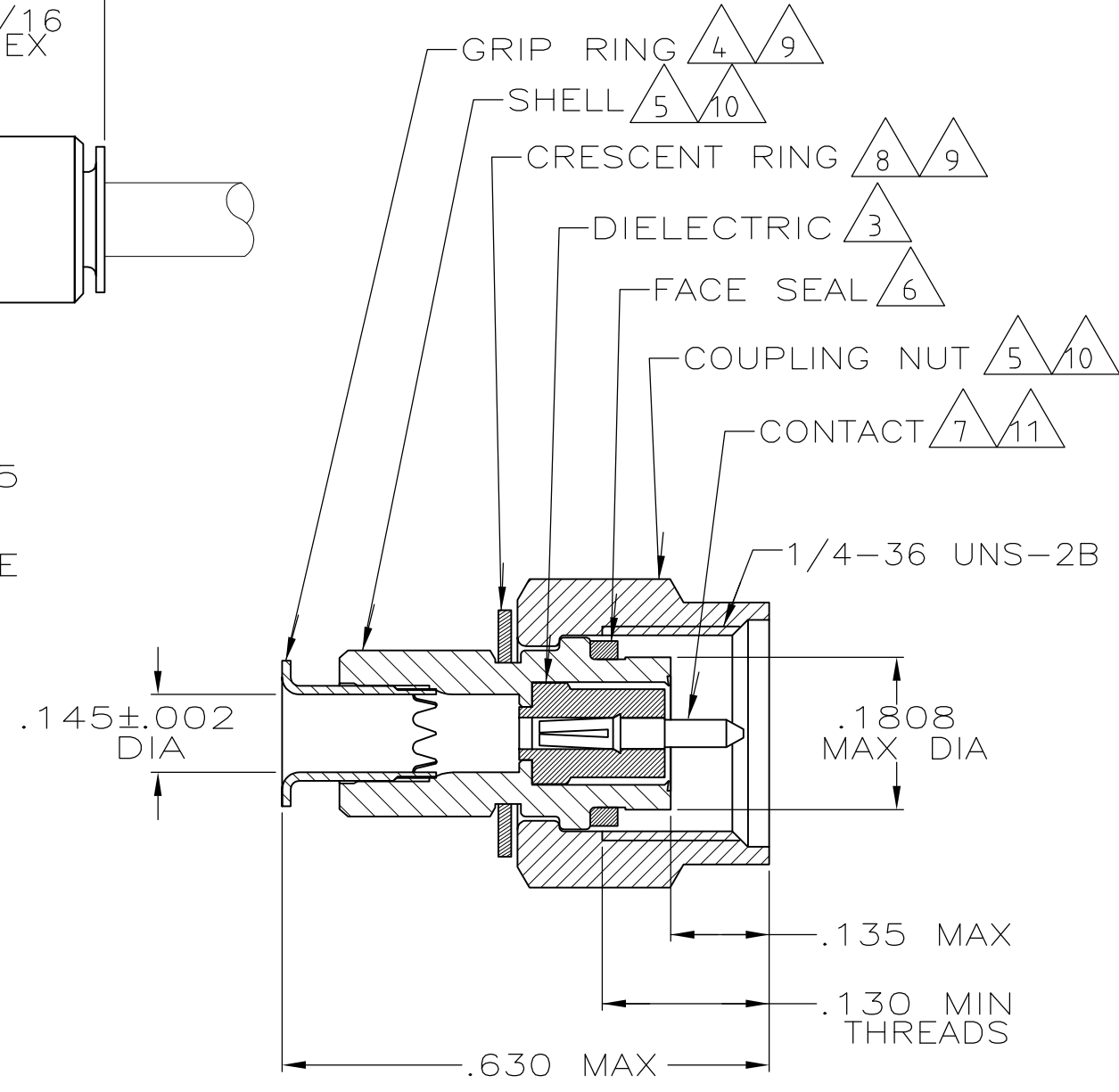
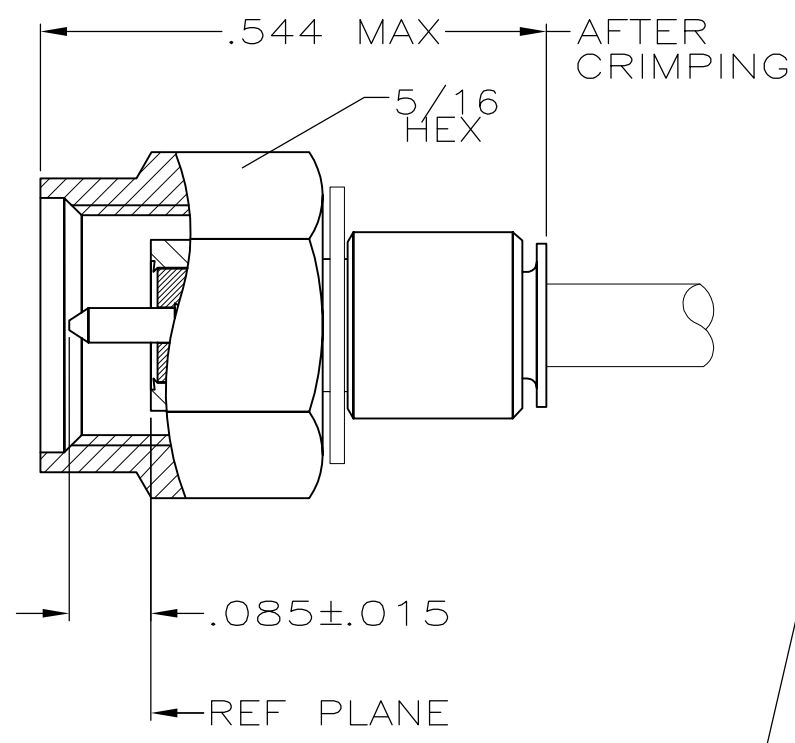
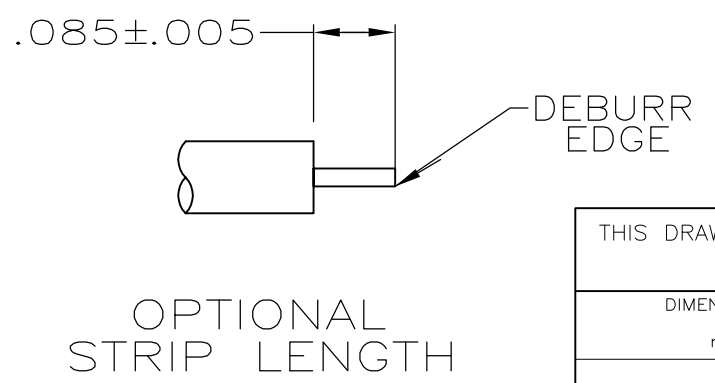
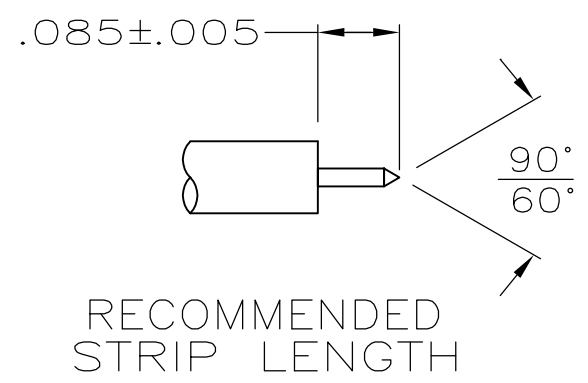


THIS DRAWING IS UNPUBLISHED. RELEASED FOR PUBLICATION
 © COPYRIGHT - By - ALL RIGHTS RESERVED.

LOC	DIST	REVISIONS					
		P	LTR	DESCRIPTION	DATE	DWN	APVD
-	-		K1	REVISED PER ECO-11-005030	11MAR11	RK	HMR



- FOR USE WITH: RG-402/U, .141 SEMI-RIGID CABLE
- SEE I.S. 6788
- PTFE PER ASTM D1710
- BRASS PER ASTM-B-36
- STAINLESS STEEL PER ASTM-A-582
- SILICONE RUBBER PER ZZ-R-765
- BERYLLIUM COPPER PER ASTM-B-197
- BERYLLIUM COPPER, ALLOY #25
- NICKEL PL PER QQ-N-290
- PASSIVATION PER ASTM A967
- GOLD PL PER MIL-G-45204
- 00779 M39012/79B3104
- .500 MIN LENGTH OF STRAIGHT CABLE REQUIRED TO APPLY THE CONNECTOR



227743-1
 PART NO

THIS DRAWING IS A CONTROLLED DOCUMENT.		DWN K.HEILIG 8-12-87	STE TE Connectivity	
DIMENSIONS: mm		CHK M.SNEED 8-12-87		
TOLERANCES UNLESS OTHERWISE SPECIFIED:		APVD M.WALMSLEY 8-12-87	NAME PLUG, MIL-B, SERIES SMA	
0 PLC ± -		PRODUCT SPEC 108-12055	-	
1 PLC ± -		APPLICATION SPEC	-	
2 PLC ± -		SIZE	CAGE CODE	DRAWING NO
3 PLC ± -		-	-	-
4 PLC ± -		WEIGHT	RESTRICTED TO	
ANGLES ± -		-	-	
MATERIAL	FINISH	A3 00779 C-227743-1		
3 THRU 8	9 THRU 11	CUSTOMER DRAWING		
		SCALE	SHEET	REV
		5:1	1 OF 1	K1

X-ON Electronics

Largest Supplier of Electrical and Electronic Components

Click to view similar products for [RF Connectors / Coaxial Connectors](#) category:

Click to view products by [TE Connectivity](#) manufacturer:

Other Similar products are found below :

[8915-1511-000](#) [89674-0827](#) [6001-7071-019](#) [6002-7051-003](#) [6002-7551-202](#) [6059674-1](#) [619550-1](#) [630059-000](#) [M39030/3-01N](#) [6500-7071-046](#) [6769](#) [CX050L2AQ](#) [7002-1541-010](#) [7002-1542-011](#) [7004-1512-000](#) [7009-1511-004](#) [7010-1511-000](#) [7029-1511-060](#) [7101-1541-010](#) [7101-1571-002](#) [7145-1521-002](#) [7203-1571-003](#) [7209-1511-011](#) [7210-1511-015](#) [7210-1511-019](#) [73137-5015](#) [73216-2241](#) [73404-2300](#) [7405-1521-005](#) [7405-1521-802](#) [8527](#) [8547](#) [FS11V](#) [877931](#) [8808-1511-001](#) [9049-9513-000](#) [9074-9513-000](#) [9101-9573-002](#) [910A205F](#) [9130-9573-002](#) [PL11SC-026](#) [PL375-33](#) [PL40-5](#) [PL74C-221](#) [PL75MC-217](#) [PL803-7](#) [1200690078](#) [1-201144-1](#) [R107003010W](#) [R110A172100](#)